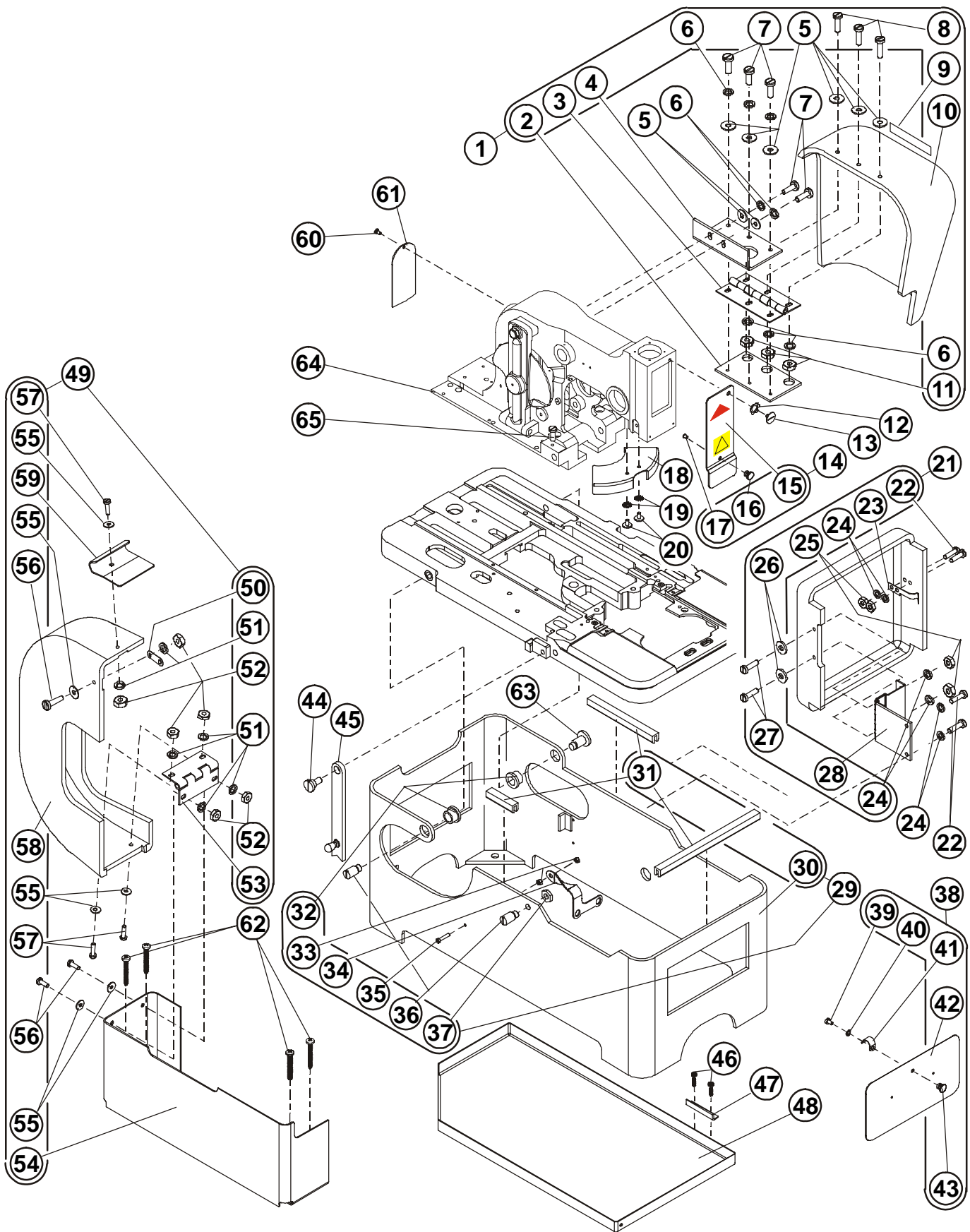


TABLE OF CONTENTS

| | |
|---|------|
| Covers & Supporting Members | 3-2 |
| Drive Shaft..... | 3-6 |
| Main Cam and Brake Band | 3-8 |
| Starting lever and switch lever assembly | 3-10 |
| Combination Lateral Lever | 3-12 |
| Flybar Control & Turning Sectors & Levers | 3-14 |
| Race..... | 3-16 |
| Thread Take up & Looper Drive | 3-20 |
| Upper Thread Trimmer..... | 3-22 |
| Clamp Yoke Assembly | 3-24 |
| Cutting Lever Assembly | 3-28 |
| Length Gauge | 3-30 |
| Stitch Feed | 3-32 |
| Three Fork Lever | 3-34 |
| Rocking Lever | 3-36 |
| Needle Bar Drive and Vibrator..... | 3-40 |
| Needle Bar and Gear | 3-42 |
| Thread Handling | 3-44 |
| Regular Table..... | 3-48 |
| Tools, Supples & Accessories..... | 3-50 |

COVERS & SUPPORTING MEMBERS



Released 10/2005

E-mail: service@amfreece.cz; parts@amfreece.cz; website: www.amfreece.com

Phones: +420 582 309 146 (Service), +420 582 309 286 (Spare Parts); Fax: +420 582 360 606

COVERS & SUPPORTING MEMBERS

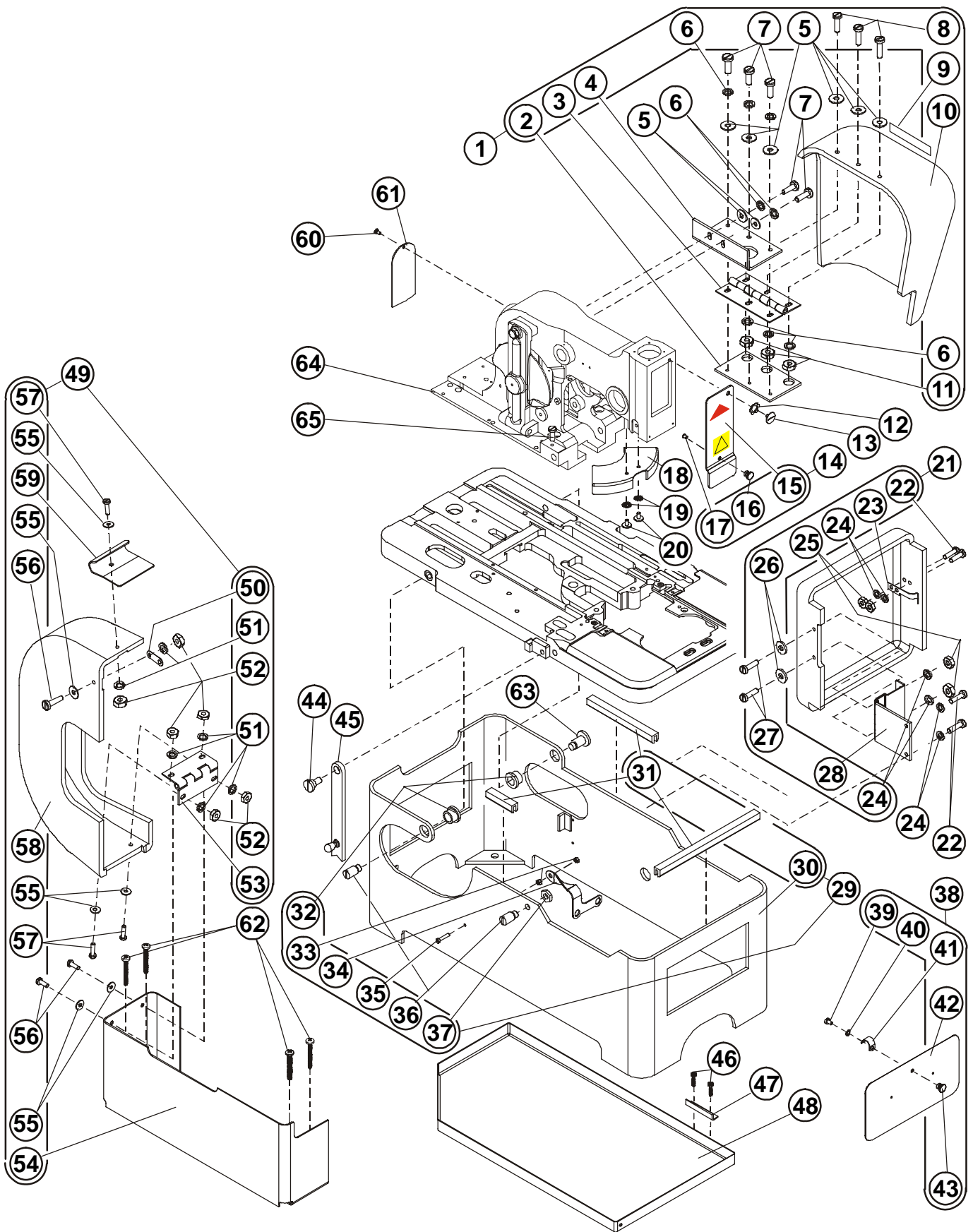
| DET | PART NUMBER | DESCRIPTION | QTY. |
|-----|---------------|-------------------------------|-------|
| 01 | 10.1194.0.023 | Top Right Cover Assembly | 1 |
| 02 | 10.1194.0.020 | Cover Support | (1) |
| 03 | 10.1194.0.008 | Hinge | (1) |
| 04 | 01.1194.0.019 | Hinge Support | (1) |
| 05 | 01.4472.0.000 | Washer | (3)+2 |
| 06 | 01.4407.0.000 | Lock Washer | (3)+2 |
| 07 | 01.2247.0.003 | Screw | (3)+2 |
| 08 | 01.2247.0.001 | Screw | (3) |
| 09 | 12.8000.1.001 | Label | (1) |
| 10 | 10.1194.0.004 | Right Bottom Cover | (1) |
| 11 | 01.3402.0.000 | Nut | (3) |
| 12 | 01.5062.0.000 | Spring Washer | 1 |
| 13 | 10.1151.0.000 | Screw | 1 |
| 14 | 10.1082.0.051 | Plate - Cover *Front Assembly | 1 |
| 15 | 10.1082.0.001 | Plate | (1) |
| 16 | 01.3040.0.000 | Knob | (1) |
| 17 | 01.2101.0.000 | Screw | (1) |
| 18 | 10.1145.2.000 | Shield | 1 |
| 19 | 01.4672.0.002 | Lock Washer | 1 |
| 20 | 01.2078.0.000 | Screw | 1 |
| 21 | 10.1194.0.024 | Top Right Cover Assembly | 1 |
| 22 | 01.2241.0.103 | Screw | (4)+2 |
| 23 | 10.1194.0.009 | Clip | (1) |
| 24 | 01.4406.0.000 | Lock Washer | (4)+2 |
| 25 | 01.3401.0.000 | Nut | (2) |
| 26 | 01.4411.0.000 | Washer | (2) |
| 27 | 01.2241.0.103 | Screw | (2) |
| 28 | 10.1194.1.012 | Hinge | (1) |
| 29 | 10.5001.2.051 | Line Stand Assembly | 1 |
| 30 | 10.5001.2.000 | Stand | (1) |
| 31 | 05.1385.0.000 | U - Chanel Eding | (1) |
| 32 | 01.7329.0.000 | Oilite Bushing | (2) |
| 33 | 01.3001.0.000 | Nut | (2) |
| 34 | 10.5002.0.000 | Thread Guide | (1) |
| 35 | 01.2888.0.402 | Screw | (1) |
| 36 | 10.2003.0.000 | Hinge Screw | 1+(1) |
| 37 | 01.3014.0.000 | Nut | (1) |
| 38 | 10.0625.0.000 | Cover Front | 1 |
| 39 | 01.2050.0.000 | Screw | (1) |
| 40 | 01.4019.0.000 | Washer | (1) |
| 41 | 10.5006.1.000 | Clip | (1) |
| 42 | 10.5005.1.900 | Cover | (1) |
| 43 | 01.3040.0.000 | Knob | (1) |
| 44 | 10.2004.1.000 | Screw | 1 |
| 45 | 10.2005.0.000 | Latch | 1 |
| 46 | 01.2340.0.000 | Screw | 2 |
| 47 | 10.5019.0.000 | Bracket | 1 |
| 48 | 10.5021.0.000 | Oil Pan | 1 |
| 49 | 10.1194.0.025 | L.H. Cover Aqssembly | 1 |
| 50 | 01.5123.0.000 | Spring | (1) |

Released 09/2005

E-mail: service@amfreece.cz; parts@amfreece.cz; website: www.amfreece.com

Phones: +420 582 309 146 (Service), +420 582 309 286 (Spare Parts); Fax: +420 582 360 606

COVERS & SUPPORTING MEMBERS



Released 10/2005

E-mail: service@amfreece.cz; parts@amfreece.cz ; website: www.amfreece.com

Phones: +420 582 309 146 (Service), +420 582 309 286 (Spare Parts) ; Fax: +420 582 360 606

COVERS & SUPPORTING MEMBERS

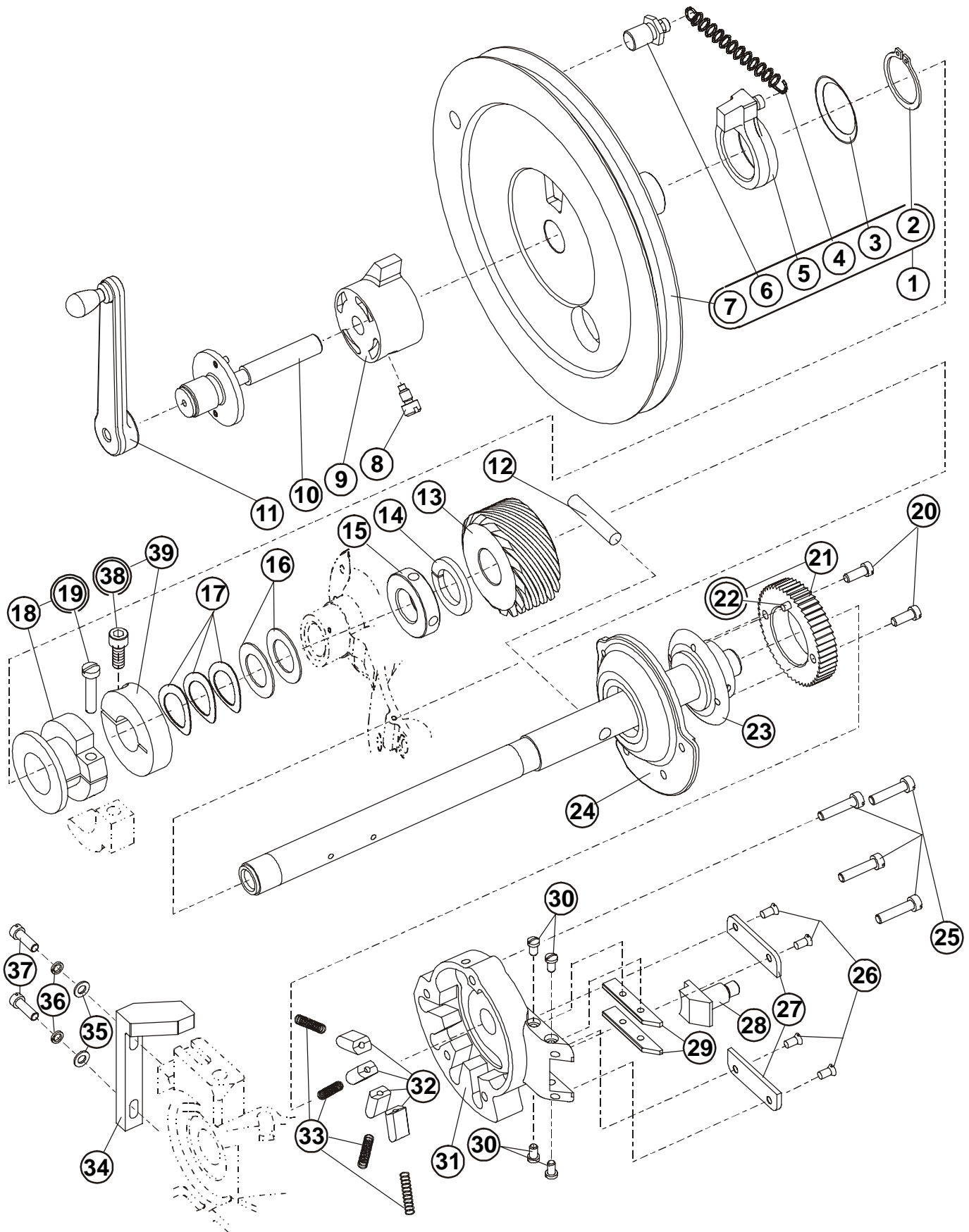
| DET | PART NUMBER | DESCRIPTION | QTY. |
|-----|---------------|-------------------|------|
| 51 | 01.4407.0.000 | Lock Washer | (6) |
| 52 | 01.3402.0.000 | Nut | (6) |
| 53 | 10.1194.0.010 | Hinge | (1) |
| 54 | 10.1194.2.006 | Left Bottom Cover | (1) |
| 55 | 01.4472.0.000 | Washer | (6) |
| 56 | 01.2247.0.003 | Screw | (3) |
| 57 | 01.2247.0.001 | Screw | (3) |
| 58 | 10.1194.1.005 | Top Left Cover | (1) |
| 59 | 10.1194.0.028 | Latch | (1) |
| 60 | 10.1081.0.000 | Screw | 1 |
| 61 | 10.1080.0.000 | Cover | 1 |
| 62 | 01.2547.1.441 | Screw | 4 |
| 63 | 10.2017.0.000 | Hinge Screw | 1 |
| 64 | 10.1001.7.050 | Head White | 1 |
| 65 | 01.1147.0.003 | Screw | 1 |
| | | | |

Released 10/2005

E-mail: service@amfreece.cz; parts@amfreece.cz ; website: www.amfreece.com

Phones: +420 582 309 146 (Service), +420 582 309 286 (Spare Parts) ; Fax: +420 582 360 606

DRIVE SHAFT



Released 01/2005

E-mail: service@amfreece.cz; parts@amfreece.cz; website: www.amfreece.com

Phones: +420 582 309 146 (Service), +420 582 309 286 (Spare Parts); Fax: +420 582 360 606

DRIVE SHAFT

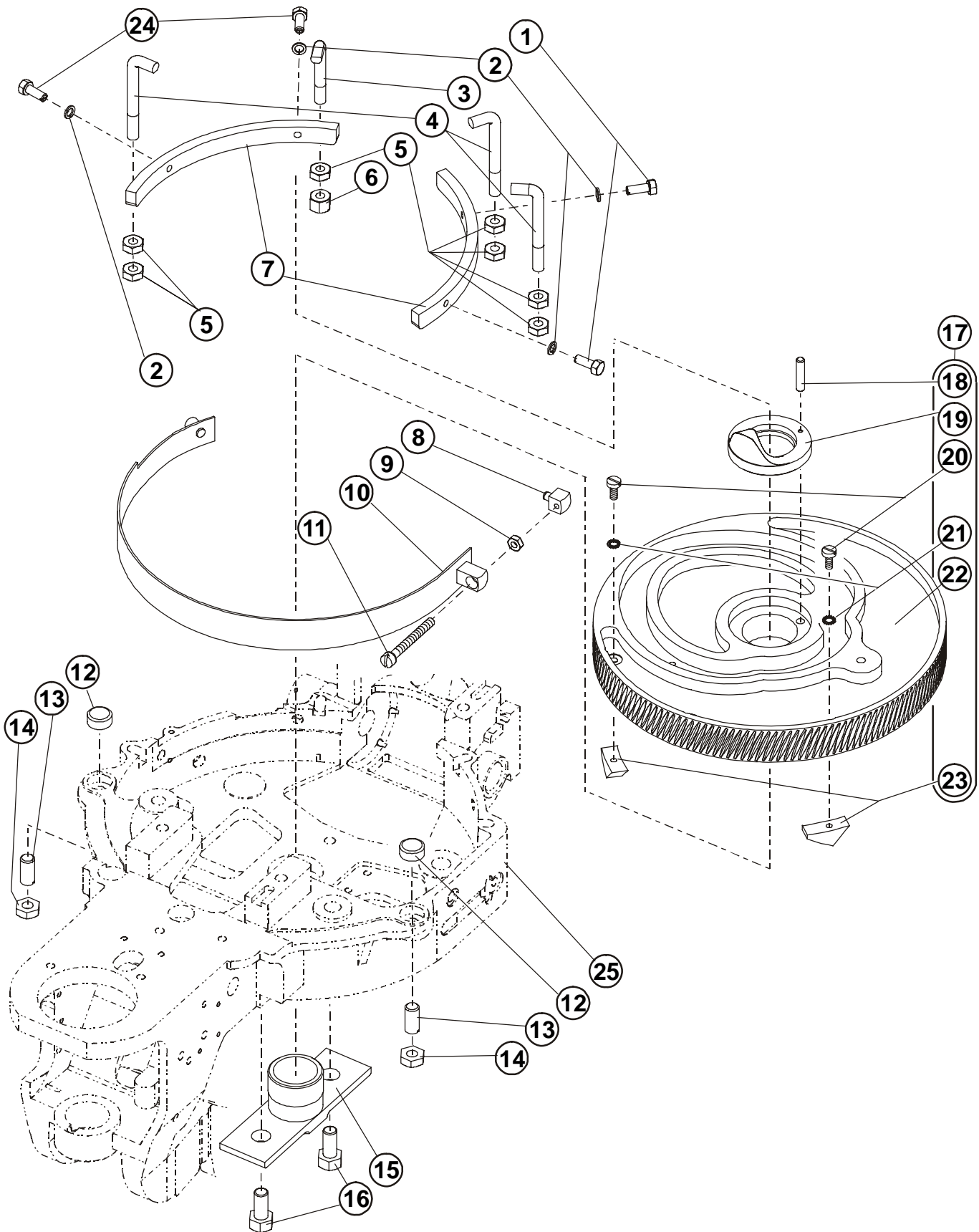
| DET | PART NUMBER | DESCRIPTION | QTY. |
|------------|--------------------|------------------------|-------------|
| 01 | 10.3039.1.050 | Cutting Wheel Assembly | 1 |
| 02 | 01.6422.0.005 | Retainer Ring | (1) |
| 03 | 01.4764.0.000 | Washer | (1) |
| 04 | 01.5017.0.000 | Spring | (1) |
| 05 | 10.3042.0.000 | Dog Strike | (1) |
| 06 | 10.3040.1.000 | Anchor Stud | (1) |
| 07 | 10.3039.0.000 | Left Pully | (1) |
| 08 | 10.1194.0.013 | Screw | 1 |
| 09 | 10.1194.0.007 | Hub | 1 |
| 10 | 10.1194.0.016 | Floating Shaft | 1 |
| 11 | 10.1194.0.014 | Crank Handle | 1 |
| 12 | 10.3051.0.000 | Drive Pin | 1 |
| 13 | 10.3050.0.000 | Worm Gear | 1 |
| 14 | 01.4009.0.000 | Lock Washer | 1 |
| 15 | 10.3049.0.000 | Collar | 1 |
| 16 | 01.4007.0.000 | Washer | 2 |
| 17 | 01.5683.0.000 | Curved Spring Washer | 3 |
| 18 | 10.3045.0.000 | Shifter Spool | 1 |
| 19 | 01.2035.0.000 | Screw | (1) |
| 20 | 01.2002.0.000 | Screw | 2 |
| 21 | 10.3148.0.000 | Ratchet | 1 |
| 22 | 01.6023.0.000 | Pin | (1) |
| 23 | 10.3047.1.050 | Worm Shaft Assembly | 1 |
| 24 | 10.3054.2.000 | Inner Case Cover | 1 |
| 25 | 01.2037.0.000 | Screw | 4 |
| 26 | 01.2075.0.000 | Screw | 4 |
| 27 | 10.3080.0.000 | Outer Plate | 2 |
| 28 | 13.3079.0.000 | Slide Stud | 1 |
| 29 | 10.3082.0.000 | Inner Plate | 2 |
| 30 | 01.2008.0.000 | Screw | 4 |
| 31 | 10.3053.1.000 | Pawl Case | 1 |
| 32 | 10.3052.0.000 | Pawl | 4 |
| 33 | 01.5018.0.000 | Spring | 4 |
| 34 | 13.3083.0.000 | Support | 1 |
| 35 | 01.4412.0.000 | Washer | 2 |
| 36 | 01.4572.0.000 | Lock Washer | 2 |
| 37 | 01.2128.0.000 | Screw | 2 |
| 38 | 01.2493.0.000 | Screw | (1) |
| 39 | 10.3046.0.000 | Friction Collar | 1 |
| | | | |

Released 01/2005

E-mail: service@amfreece.cz; parts@amfreece.cz; website: www.amfreece.com

Phones: +420 582 309 146 (Service), +420 582 309 286 (Spare Parts); Fax: +420 582 360 606

MAIN CAM AND BRAKE BAND



Released 10/2005

E-mail: service@amfreece.cz; parts@amfreece.cz; website: www.amfreece.com

Phones: +420 582 309 146 (Service), +420 582 309 286 (Spare Parts); Fax: +420 582 360 606

MAIN CAM AND BRAKE BAND

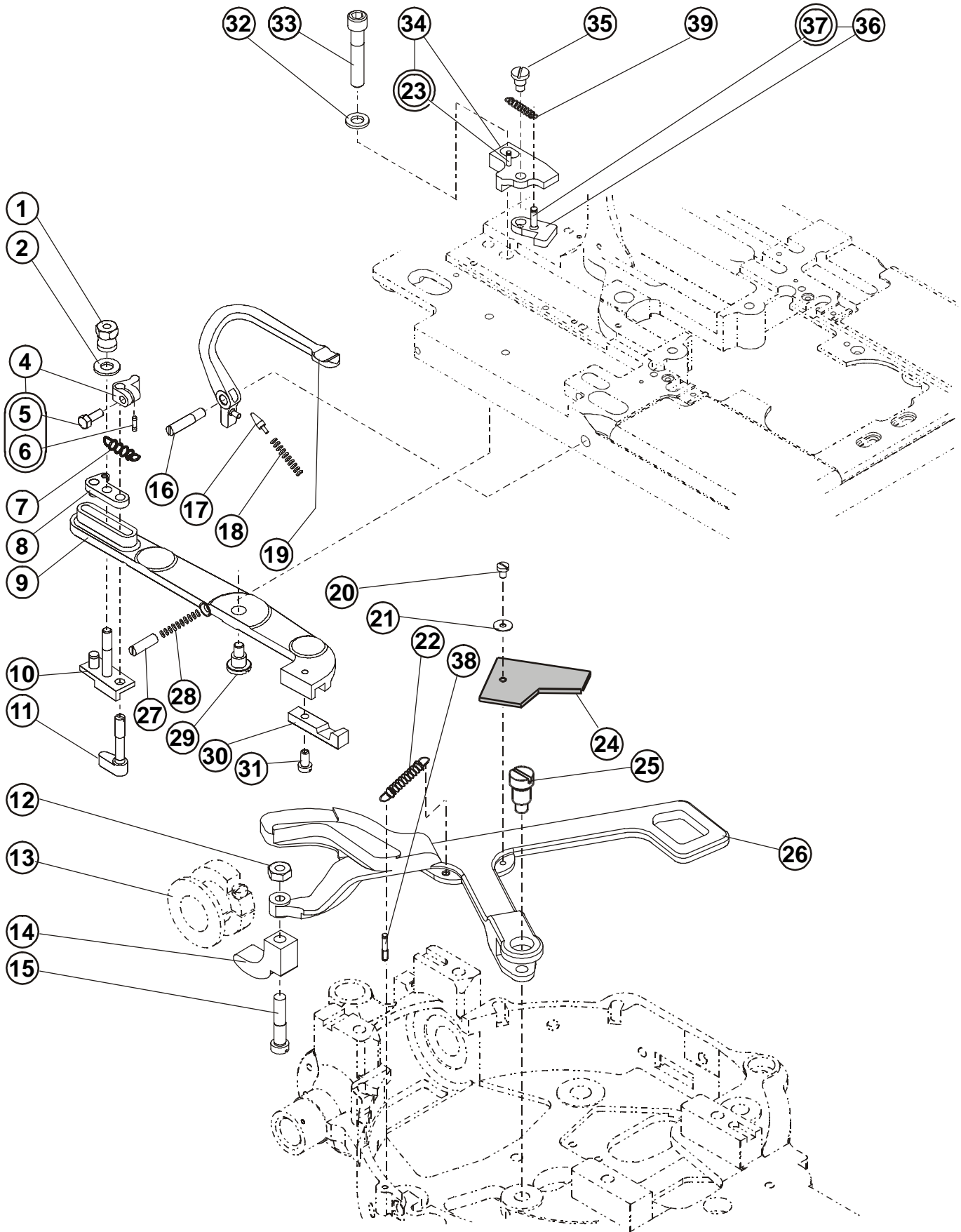
| DET | PART NUMBER | DESCRIPTION | QTY. |
|-----|---------------|------------------------|------|
| 01 | 01.2386.0.000 | Screw | 2 |
| 02 | 01.4018.0.000 | Washer | 4 |
| 03 | 10.3066.0.008 | Short Hook | 1 |
| 04 | 10.3066.0.011 | Long Hook | 3 |
| 05 | 01.3007.0.000 | Nut | 6 |
| 06 | 01.3059.0.000 | Nut | 1 |
| 07 | 10.3035.1.000 | Hold Down Gib | 2 |
| 08 | 01.6345.0.000 | Lug | 1 |
| 09 | 01.3005.0.000 | Nut | 1 |
| 10 | 10.3036.0.000 | Brake Band | 1 |
| 11 | 01.2033.0.000 | Screw | 1 |
| 12 | 10.3028.0.000 | Button | 2 |
| 13 | 01.2067.0.000 | Adjustments Screw | 2 |
| 14 | 01.3015.0.000 | Nut | 2 |
| 15 | 10.3027.0.000 | Cam Center | 1 |
| 16 | 01.2031.0.000 | Screw | 2 |
| 17 | 10.3064.0.830 | Main Cam Assembly | 1 |
| 18 | — | Pin | (1) |
| 19 | 10.3062.1.000 | Cam - Cutting* CB/CA | (1) |
| 20 | 01.2347.0.000 | Screw | (2) |
| 21 | 01.4061.0.000 | Washer | (2) |
| 22 | 14.3064.0.001 | Main Cam | (1) |
| 23 | 10.3061.0.300 | Wedge - Clamping CB/CA | (2) |
| 24 | 01.2388.0.000 | Screw | 2 |
| 25 | 10.3001.3.000 | Cam Case | 1 |
| | | | |

Released 10/2005

E-mail: service@amfreece.cz; parts@amfreece.cz ; website: www.amfreece.com

Phones: +420 582 309 146 (Service), +420 582 309 286 (Spare Parts) ; Fax: +420 582 360 606

STARTING LEVER AND SWITCH LEVER ASSEMBLY



Released 09/2005

E-mail: service@amfreece.cz; parts@amfreece.cz ; website: www.amfreece.com
Phones: +420 582 309 146 (Service), +420 582 309 286 (Spare Parts) ; Fax: +420 582 360 606

STARTING LEVER AND SWITCH LEVER ASSEMBLY

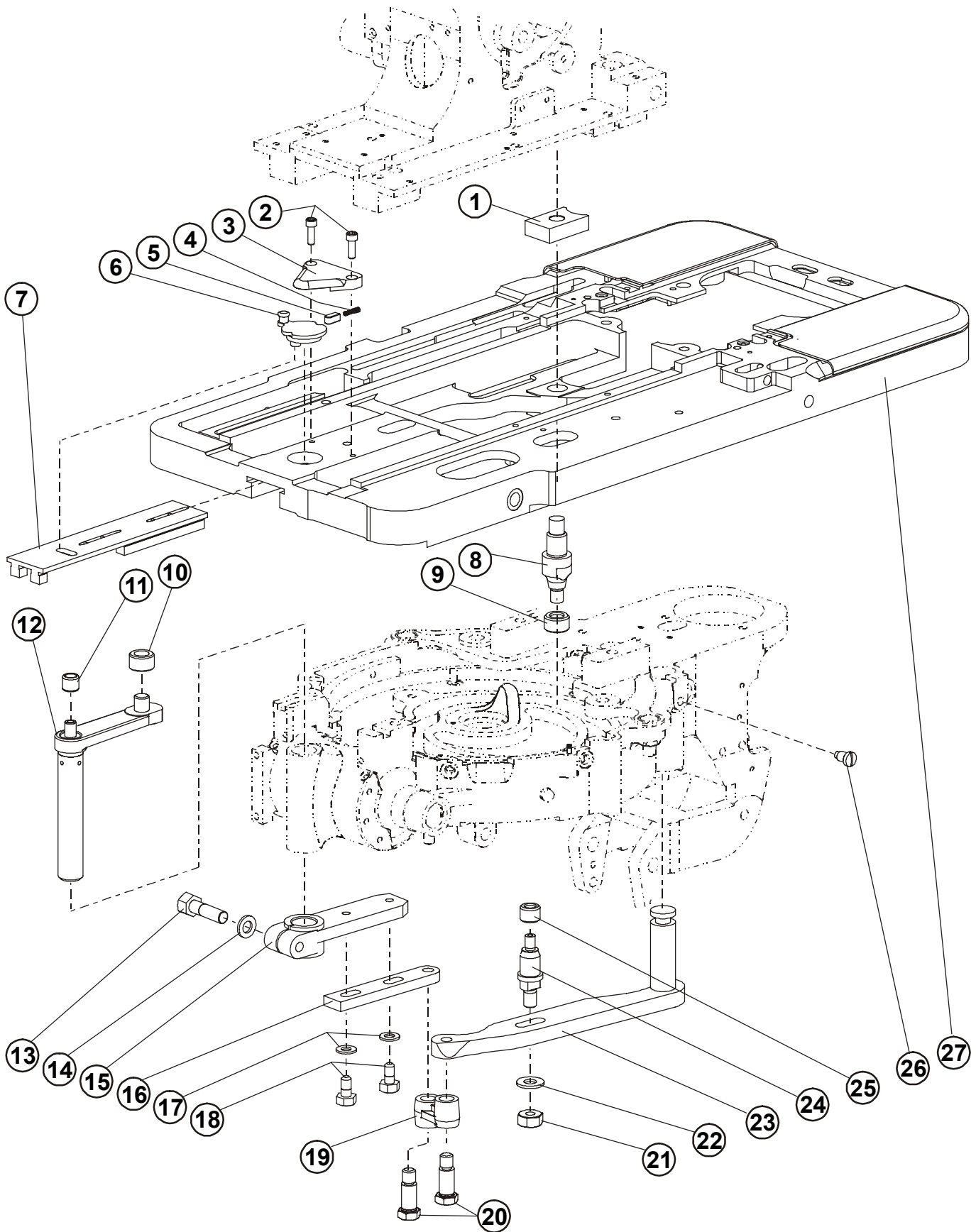
| DET | PART NUMBER | DESCRIPTION | QTY. |
|-----|---------------|------------------------|------|
| 01 | 10.2008.0.000 | Nut | 1 |
| 02 | 01.4063.0.000 | Washer | 1 |
| 03 | | | |
| 04 | 10.2073.0.000 | Latch Assembly | 1 |
| 05 | 01.2386.0.000 | Screw | (1) |
| 06 | 01.6135.0.000 | Pin | (1) |
| 07 | 01.5473.0.000 | Spring | 1 |
| 08 | 10.2072.0.000 | Plate | 1 |
| 09 | 10.2012.0.000 | Switch Lever | 1 |
| 10 | 10.2070.1.000 | Block | 1 |
| 11 | 10.2071.0.000 | Lever | 1 |
| 12 | 01.3007.0.000 | Nut | 1 |
| 13 | See Page 3-6 | Shifter Spool Assembly | — |
| 14 | 10.3031.0.000 | Shifter Shoe | 1 |
| 15 | 01.2032.1.000 | Screw | 1 |
| 16 | 10.2014.0.000 | Pivot Screw | 1 |
| 17 | 10.2015.0.000 | Plunger | 1 |
| 18 | 01.5020.0.000 | Spring | 1 |
| 19 | 14.2013.0.000 | Starting Lever | 1 |
| 20 | 01.2004.0.000 | Screw | 1 |
| 21 | 08.6850.4.000 | Washer | 1 |
| 22 | 01.5055.0.000 | Spring | 1 |
| 23 | 17.0031.1.401 | Pin | (1) |
| 24 | 17.0094.5.309 | Felt Pad | 1 |
| 25 | 10.3032.1.000 | Screw | 1 |
| 26 | 10.3029.1.000 | Shifting Lever | 1 |
| 27 | 01.2071.0.000 | Screw | 1 |
| 28 | 01.5019.0.000 | Spring | 1 |
| 29 | 10.2011.0.000 | Pivot Screw | 1 |
| 30 | 12.2010.0.000 | Trip | 1 |
| 31 | 01.2041.0.000 | Screw | 1 |
| 32 | 01.4522.0.000 | Washer | 1 |
| 33 | 01.1147.0.002 | Screw | 1 |
| 34 | 10.1180.0.000 | Block | 1 |
| 35 | 01.1100.0.000 | Shoulder Screw | 1 |
| 36 | 10.1181.0.000 | Latch Assembly | 1 |
| 37 | 01.6982.0.002 | Pin | (1) |
| 38 | 12.1015.0.001 | Pin | 1 |
| 39 | 01.5048.0.000 | Spring | 1 |
| | | | |
| | | | |
| | | | |
| | | | |
| | | | |
| | | | |
| | | | |
| | | | |
| | | | |
| | | | |
| | | | |
| | | | |
| | | | |
| | | | |
| | | | |
| | | | |
| | | | |
| | | | |
| | | | |
| | | | |

Released 10/2005

E-mail: service@amfreece.cz; parts@amfreece.cz ; website: www.amfreece.com

Phones: +420 582 309 146 (Service), +420 582 309 286 (Spare Parts) ; Fax: +420 582 360 606

COMBINATION LATERAL LEVER



Released 09/2004

E-mail: service@amfreece.cz; parts@amfreece.cz; website: www.amfreece.com
Phones: +420 582 309 146 (Service), +420 582 309 286 (Spare Parts); Fax: +420 582 360 606

COMBINATION LATERAL LEVER

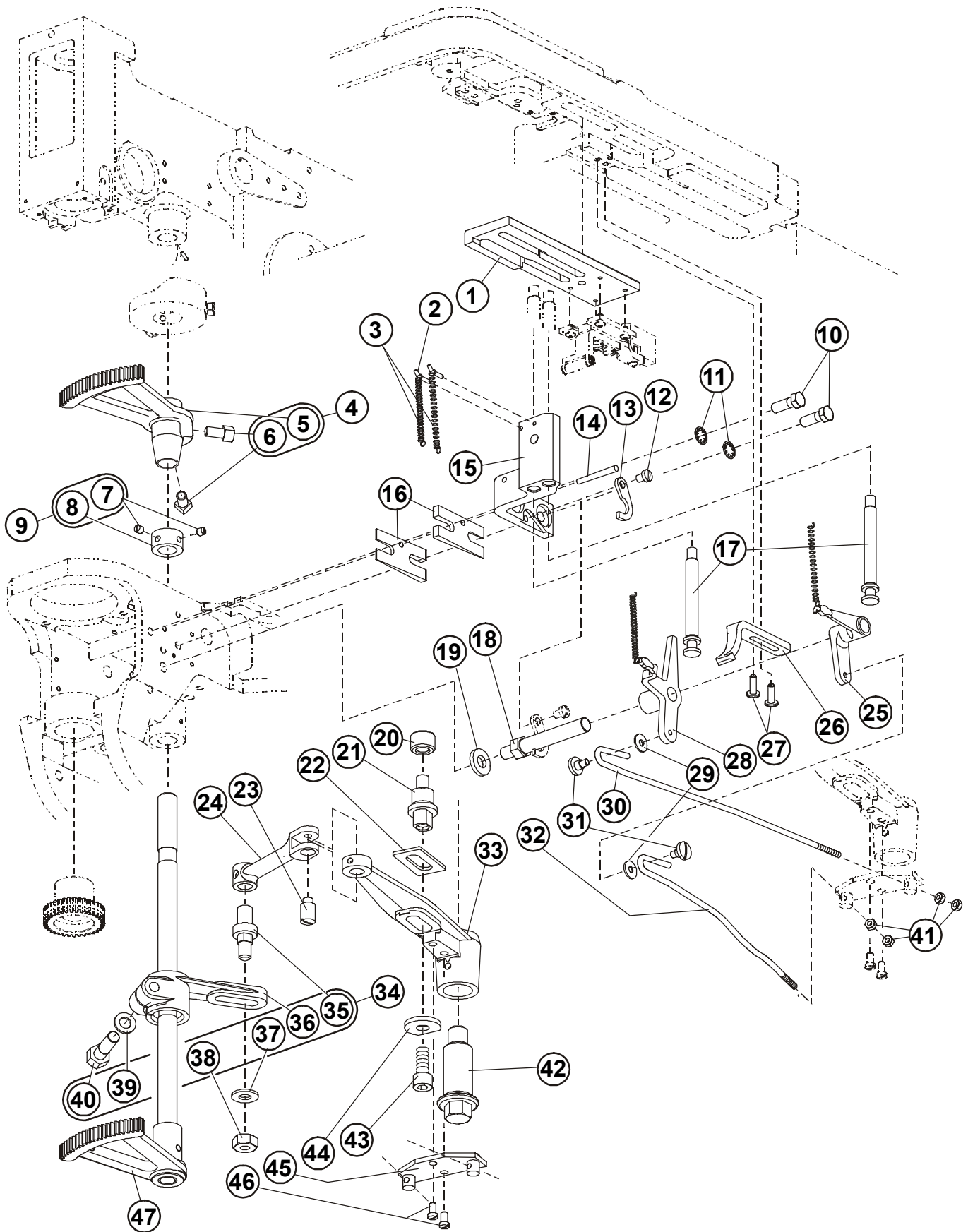
| DET | PART NUMBER | DESCRIPTION | QTY. |
|-----|--|--|------|
| 01 | 10.3033.0.017 | Block | 1 |
| 02 | 01.2412.0.000 | Screw | 2 |
| 03 | 10.2258.0.000 | Cover | 1 |
| 04 | 01.5172.0.000 | Spring | 1 |
| 05 | 10.2259.0.000 | Plunger | 1 |
| 06 | 10.2257.0.000 | Shifter | 1 |
| 07 | 10.2260.0.001 10.2260.0.200 10.2260.0.217 10.2260.0.167 | Guide Plate*7mm Guide Plate (CB-RL only) (VA-XL only) | 1 |
| 08 | 10.2006.2.000 | Bedplate Stud | 1 |
| 09 | 10.2007.0.000 | Roll | 1 |
| 10 | 01.7043.0.000 | Roll | 1 |
| 11 | 01.7023.0.000 | Roll | 1 |
| 12 | 10.3034.0.258 | Upper Lateral Lever* AF | 1 |
| 13 | 01.2016.0.000 | Screw | 1 |
| 14 | 01.4522.0.000 | Washer | 1 |
| 15 | 10.3019.1.006 | Lower Lateral Lever* AF | 1 |
| 16 | 10.3300.0.006 | Lower Lateral Extension | 1 |
| 17 | 01.4063.0.000 | Washer | 2 |
| 18 | 01.2085.0.000 | Screw | 2 |
| 19 | 10.3302.0.000 | Link | 1 |
| 20 | 10.3301.1.006 | Screw | 2 |
| 21 | 01.3013.0.000 | Nut | 1 |
| 22 | 01.4005.0.000 | Washer | 1 |
| 23 | 10.3303.0.000 | Combination Lever | 1 |
| 24 | 10.3020.0.006 | Stud AF | 1 |
| 25 | 01.7004.0.000 | Roll | 1 |
| 26 | 01.2324.0.000 | Screw | 1 |
| 27 | 10.2001.4.250 | Bedplate | 1 |
| | | | |

Released 09/2004

E-mail: service@amfreece.cz; parts@amfreece.cz ; website: www.amfreece.com

Phones: +420 582 309 146 (Service), +420 582 309 286 (Spare Parts) ; Fax: +420 582 360 606

FLYBAR CONTROL & TURNING SECTORS & LEVERS



Released 09/2004

E-mail: service@amfreece.cz; parts@amfreece.cz ; website: www.amfreece.com
Phones: +420 582 309 146 (Service), +420 582 309 286 (Spare Parts) ; Fax: +420 582 360 606

FLYBAR CONTROL & TURNING SECTORS & LEVERS

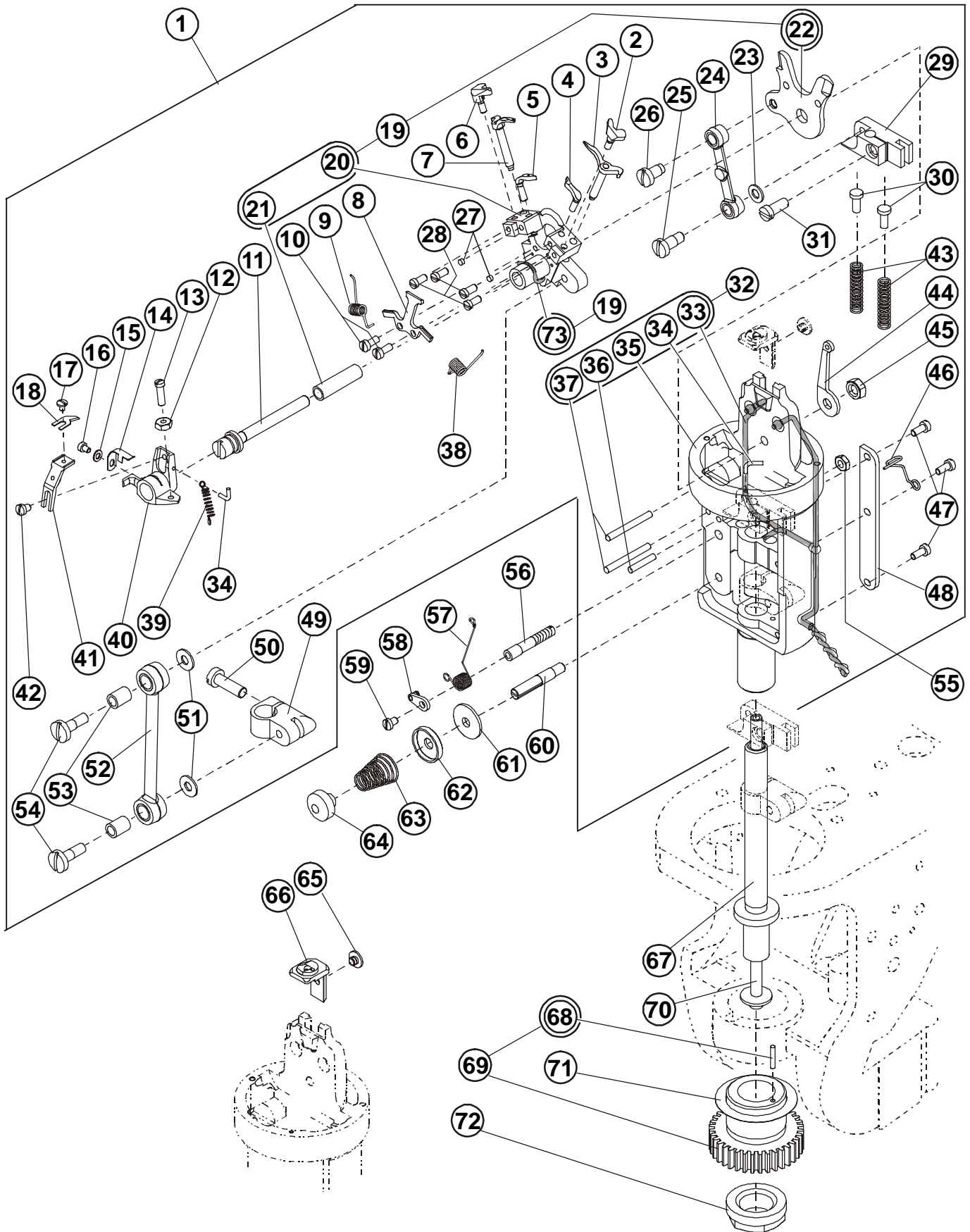
| DET | PART NUMBER | DESCRIPTION | QTY. |
|-----|--------------------------------|--|------|
| 01 | 10.2255.2.150 10.2255.3.200 | Cam Plate * Flybar CA Cam Plate * Flybar CB | 1 |
| 02 | 01.6982.0.001 | Pin | 2 |
| 03 | 01.5054.0.000 | Spring | 2 |
| 04 | 10.1075.1.051 | Line*Uper Sector Lever Assembly | 1 |
| 05 | 10.1075.1.000 | Upper Sector | (1) |
| 06 | 01.2014.0.000 | Screw | (2) |
| 07 | 10.2028.0.000 | Screw | (2) |
| 08 | 10.3010.0.000 | Collar | (1) |
| 09 | 10.3010.0.051 | Line*Collar Assembly | 1 |
| 10 | 01.2088.0.000 | Screw | 2 |
| 11 | 01.4046.0.000 | Lockwasher | 2 |
| 12 | 01.2006.0.000 | Screw | 1 |
| 13 | 10.3262.0.250 | Latch | 1 |
| 14 | 01.6031.0.000 | Taper Pin | 1 |
| 15 | 14.3251.1.000 | Bracket | 1 |
| 16 | 10.3250.1.000 | Spacer | 2 |
| 17 | 10.3252.1.000 | Pin | 2 |
| 18 | 01.1447.0.000 | Stud AF | 1 |
| 19 | 01.4701.0.000 | Washer | 1 |
| 20 | 10.3018.0.000 | Roll*CA | 1 |
| 21 | 14.3017.0.000 | Sector Stud | 1 |
| 22 | 14.3015.0.802 | Plate | 1 |
| 22 | 10.3026.0.000 | Stud | 1 |
| 24 | 10.3012.0.000 | Link | 1 |
| 25 | 10.3254.0.000 | RH. Actuator Pin | 1 |
| 26 | 10.2256.0.000 | Bracket | 1 |
| 27 | 01.2043.0.000 | Screw | 2 |
| 28 | 10.3253.0.000 | Actuator | 1 |
| 29 | 01.4472.0.000 | Washer | 2 |
| 30 | 10.3259.1.001 | R.H. Wire Rod | 1 |
| 31 | 01.1432.0.000 | Screw | 2 |
| 32 | 10.3259.1.002 | L.H. Wire Rod | 1 |
| 33 | 14.3015.0.000 | Sector Lever | 1 |
| 34 | 10.3011.0.051 | LineShort Sector Lever Assembly | 1 |
| 35 | 10.3013.0.000 | Short Sector Lever Stud | (1) |
| 36 | 10.3011.0.000 | Short Sector Lever | (1) |
| 37 | 01.4005.0.000 | Washer | 1 |
| 38 | 01.3013.0.000 | Nut | (1) |
| 39 | 01.4522.0.000 | Washer | 1 |
| 40 | 01.2016.0.000 | Screw | (1) |
| 41 | 01.3016.0.000 | Nut | 4 |
| 42 | 10.3016.0.000 | Pivot Stud | 4 |
| 43 | 01.1594.0.000 | Screw | 1 |
| 44 | 01.4154.0.000 | Washer | 1 |
| 45 | 10.3258.0.000 | Wire Bracket | 1 |
| 46 | 01.2079.0.000 | Screw | 2 |
| 47 | 10.3009.0.000 | Lower Sector Assembly | 1 |
| | | | |

Released 10/2005

E-mail: service@amfreece.cz; parts@amfreece.cz ; website: www.amfreece.com

Phones: +420 582 309 146 (Service), +420 582 309 286 (Spare Parts) ; Fax: +420 582 360 606

RACE



Released 09/2005

E-mail: service@amfreece.cz; parts@amfreece.cz ; website: www.amfreece.com

Phones: +420 582 309 146 (Service), +420 582 309 286 (Spare Parts) ; Fax: +420 582 360 606

RACE

| DET | PART NUMBER | DESCRIPTION | QTY. |
|-----|---------------|---|---------|
| 01 | 10.4001.0.150 | Race Assembly * AF/CA 101 | 1 |
| 02 | 10.4006.0.000 | R.H. Spreader Stop | (1) |
| 03 | 14.4008.1.000 | R.H. Spreader | (1) |
| 04 | 10.4004.0.000 | Blind Looper | (1) |
| 05 | 14.4005.0.000 | Eye Looper | (1) |
| 06 | 10.4007.0.000 | L.H. Spreader Stop | (1) |
| 07 | 14.4009.1.000 | L.H. Spreader | (1) |
| 08 | 10.4010.2.000 | Needle Guard | (1) |
| 09 | 01.5620.0.000 | L.H. Spring | (1) |
| 10 | 01.2073.0.000 | Screw | (2) |
| 11 | 14.4201.0.000 | Stud | (1) |
| 12 | 01.3025.0.000 | Nut | (1) |
| 13 | 01.2361.0.000 | Screw | (1) |
| 14 | 10.4203.0.000 | Retaining Spring | (1) |
| 15 | 01.4015.0.000 | Washer | (1) |
| 16 | 01.2318.0.000 | Screw | (1) |
| 17 | 01.2667.0.000 | Screw | (1) |
| 18 | 14.1197.1.000 | Trimmer Knife | (1) |
| 19 | 10.9008.0.050 | Looper Carrier/Spreader Wedge Assembly CB | (1) |
| 20 | 10.4002.1.000 | Looper Carrier | ((1)) |
| 21 | 10.4003.0.000 | Bushing | ((1)) |
| 22 | 14.4011.0.200 | Sprader Wedge S101 | ((1)) |
| 23 | 01.4012.0.000 | Washer | (1) |
| 24 | 14.4015.1.000 | Sprader Link | (1) |
| 25 | 10.4016.0.000 | Screw | (1) |
| 26 | 10.4017.0.000 | Screw | (1) |
| 27 | 10.4039.0.000 | Felt Pad | (2) |
| 28 | 01.2001.0.000 | Screw | (4) |
| 29 | 10.4018.0.000 | Crosshead Spreader | (1) |
| 30 | 10.4019.0.000 | Pin | (2) |
| 31 | 01.2059.0.000 | Screw | (1) |
| 32 | 14.4001.0.150 | Race Assembly*AF-CA | (1) |
| 33 | 07.0401.0.009 | Wick | ((1)) |
| 34 | 12.1010.0.012 | Pin | (1+(1)) |
| 35 | 14.4001.0.904 | Race | ((1)) |
| 36 | 01.6013.0.000 | Pin | ((1)) |
| 37 | 01.6018.0.000 | Pin | ((2)) |
| 38 | 01.5919.0.000 | R.H. Spring | (1) |
| 39 | 01.5041.0.000 | Spring | (1) |
| 40 | 10.4202.0.000 | Trimmer Holder | (1) |
| 41 | 10.1198.1.000 | Knife Holder | (1) |
| 42 | 01.2081.0.000 | Screw | (1) |
| 43 | 01.5026.0.000 | Spring | ((2)) |
| 44 | 10.4035.0.000 | Cord Guide | (1) |
| 45 | 01.3005.0.000 | Nut | (1) |
| 46 | 05.1368.0.000 | Guide Thread | (1) |
| 47 | 01.2073.0.000 | Screw | (3) |
| 48 | 10.4026.0.000 | Crosshead Guide | (1) |
| 49 | 10.4021.0.000 | Crosshead Looper | (1) |
| 50 | 01.2024.0.000 | Screw | (1) |

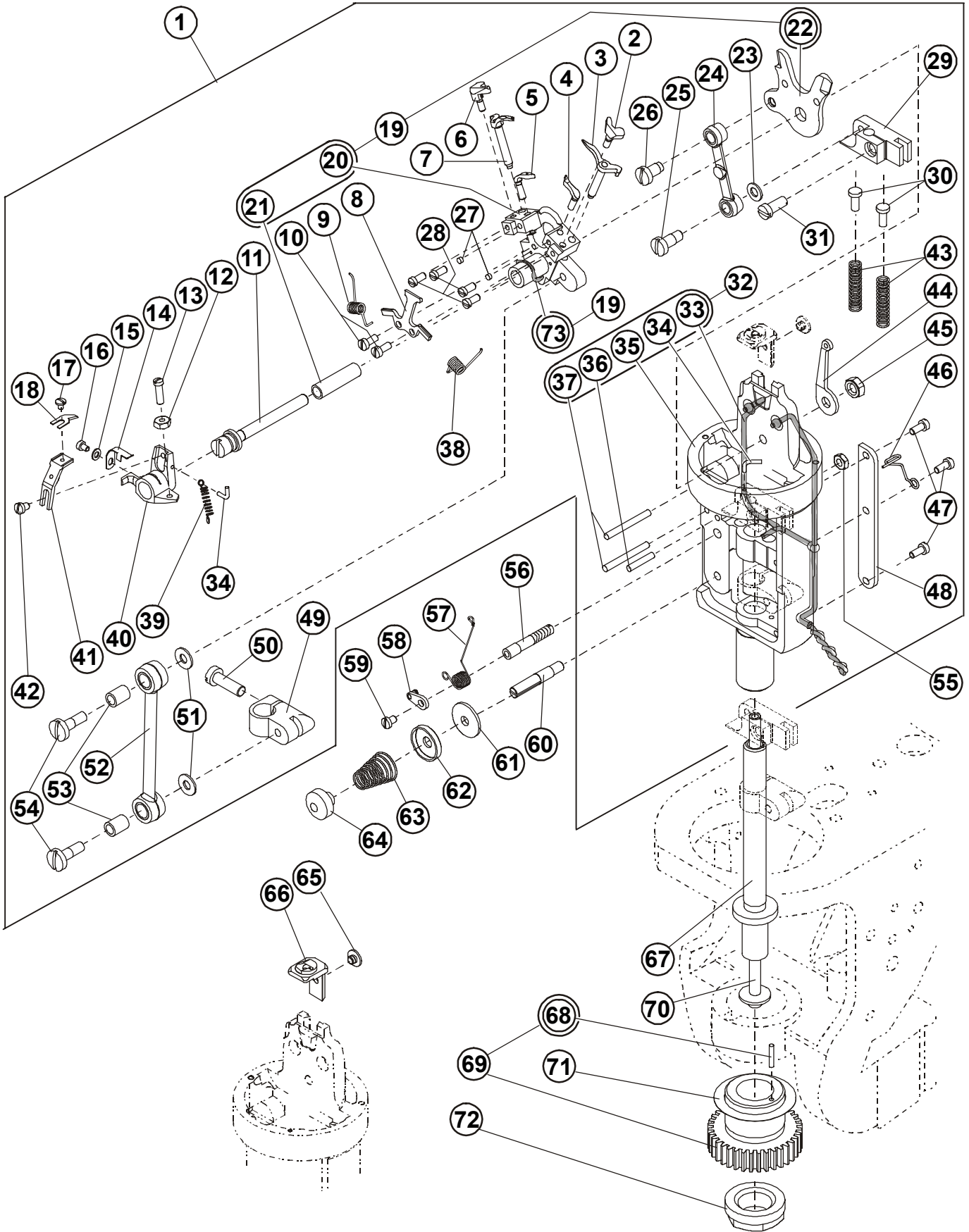
Released 09/2005

E-mail: service@amfreece.cz; parts@amfreece.cz; website: www.amfreece.com

Phones: +420 582 309 146 (Service), +420 582 309 286 (Spare Parts); Fax: +420 582 360 606



RACE



Released 09/2004

E-mail: service@amfreece.cz; parts@amfreece.cz ; website: www.amfreece.com
Phones: +420 582 309 146 (Service), +420 582 309 286 (Spare Parts) ; Fax: +420 582 360 606

RACE



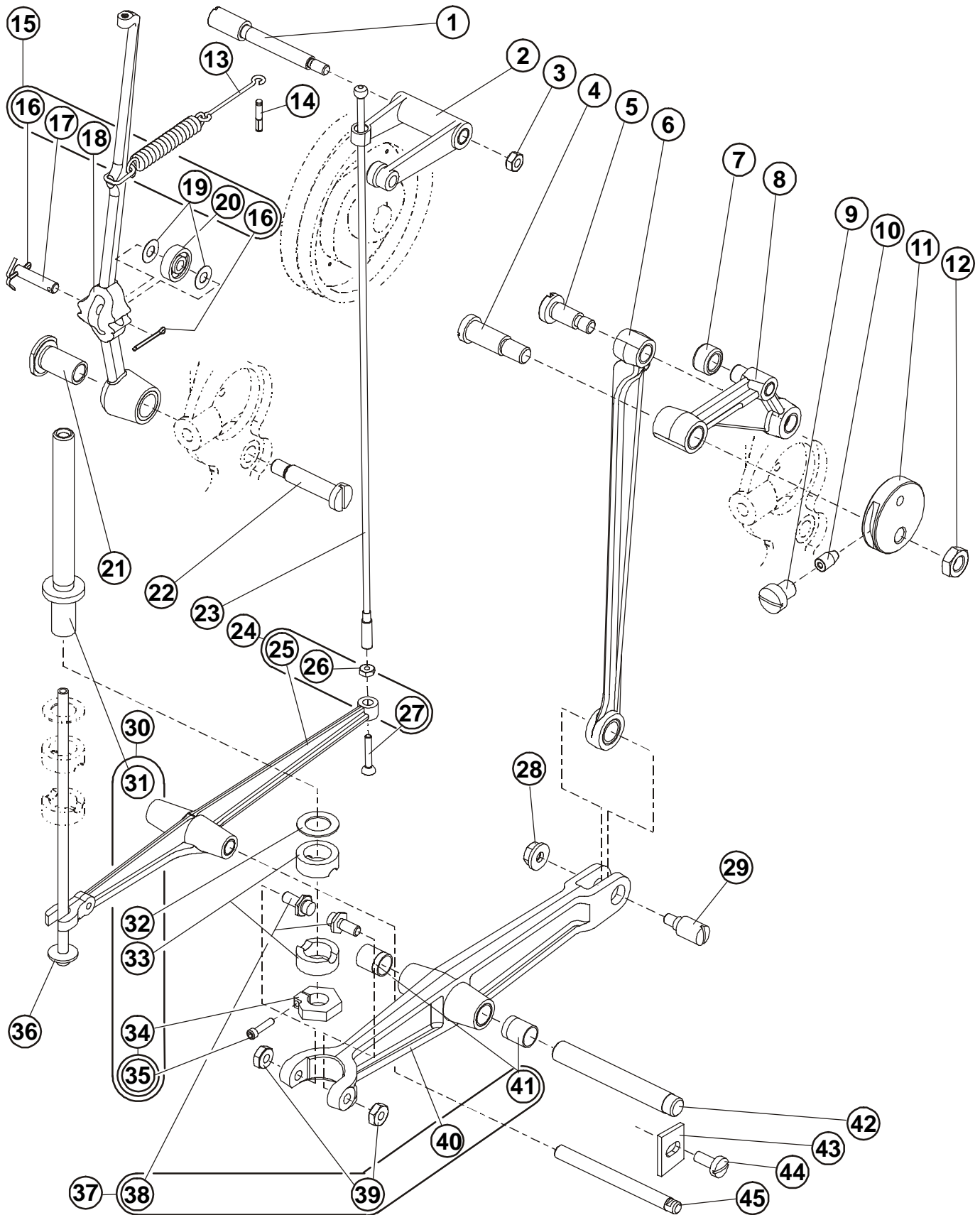
| DET | PART NUMBER | DESCRIPTION | QTY. |
|-----|---------------|------------------------------|------|
| 51 | 01.4013.0.000 | Washer | (2) |
| 52 | 14.4013.1.000 | Looper Link | (1) |
| 53 | 01.7022.0.000 | Bushing | (2) |
| 54 | 01.1006.0.000 | Screw | (2) |
| 55 | 01.3001.0.000 | Nut | 1 |
| 56 | 10.4037.0.000 | Stud | 1 |
| 57 | 01.5027.0.000 | Check Spring | 1 |
| 58 | 10.4036.0.000 | Check.Spring Arm | 1 |
| 59 | 01.2081.0.000 | Screw | 1 |
| 60 | 10.4029.0.000 | Stud | 1 |
| 61 | 10.4032.0.000 | Thin Disc | 1 |
| 62 | 10.4031.0.000 | Heavy Disc | 1 |
| 63 | 01.5028.0.000 | Spring | 1 |
| 64 | 10.4030.0.000 | Nut | 1 |
| 65 | 01.2056.0.000 | Screw | 1 |
| 66 | 10.4012.0.004 | Throat /Plate* AF-CB/CA-R-RE | 1 |
| 67 | See Page 3-20 | Spreader Spindle | — |
| 68 | 01.6004.0.000 | Pin | (1) |
| 69 | 14.4025.0.901 | Gear | 1 |
| 70 | See Page 3-20 | Spindle Looper | — |
| 71 | 01.4081.0.005 | Shim (.005") | 1 |
| | 01.4081.0.006 | Shim (.006") | |
| | 01.4081.0.008 | Shim (.008") | |
| | 01.4081.0.009 | Shim (.009") | |
| | 01.4081.0.010 | Shim (.010") | |
| | 01.4081.0.011 | Shim (.011") | |
| | 01.4081.0.012 | Shim (.012") | |
| 72 | 01.3018.0.000 | Nut | 1 |
| 73 | 07.0401.0.000 | Felt | 1 |
| | | | |

Released 09/2004

E-mail: service@amfreece.cz; parts@amfreece.cz ; website: www.amfreece.com

Phones: +420 582 309 146 (Service), +420 582 309 286 (Spare Parts) ; Fax: +420 582 360 606

THREAD TAKE UP & LOOPER DRIVE



Released 09/2005

E-mail: service@amfreece.cz; parts@amfreece.cz ; website: www.amfreece.com
Phones: +420 582 309 146 (Service), +420 582 309 286 (Spare Parts) ; Fax: +420 582 360 606

THREAD TAKE UP & LOOPER DRIVE

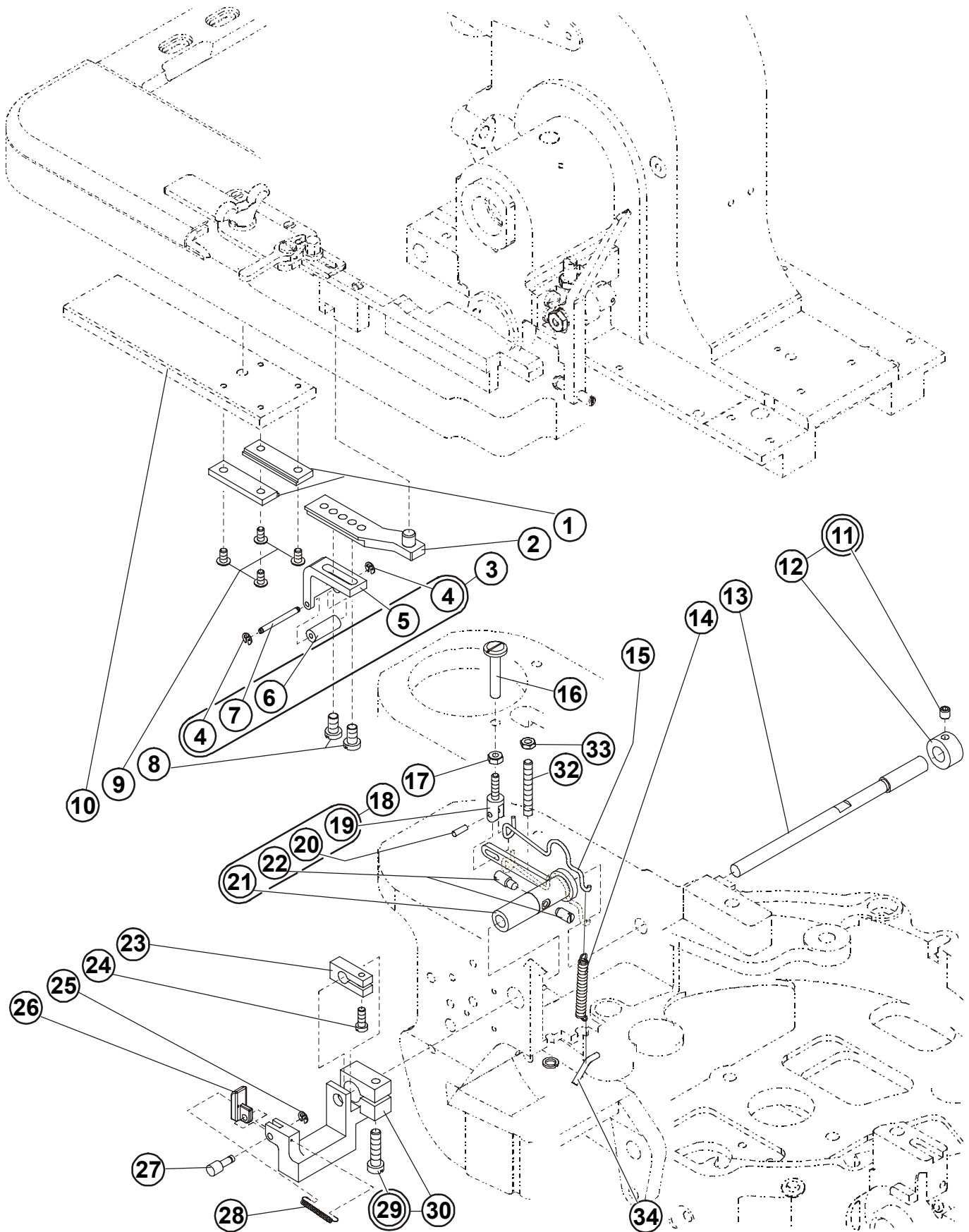
| DET | PART NUMBER | DESCRIPTION | QTY. |
|-----|---------------|------------------------------|-------|
| 01 | 14.1059.0.000 | Pivot Pin | 1 |
| 02 | 14.1058.0.000 | Cam Follower | 1 |
| 03 | 01.3005.0.000 | Nut | 1 |
| 04 | 01.1151.0.000 | Screw | 1 |
| 05 | 10.1066.2.000 | Shoulder Screw | 1 |
| 06 | 14.1067.0.000 | Looper Link | 1 |
| 07 | 10.1122.0.998 | Roll (No.1) 12,710 | 1 |
| | 10.1122.0.999 | Roll (No.2) 12,705 | |
| | 10.1122.0.997 | Roll 12,954 Oversize | |
| 08 | 14.1064.2.000 | Looper Cam Follower Assembly | 1 |
| 09 | 01.2063.0.000 | Screw | 1 |
| 10 | 10.1062.0.000 | Jam Plug | 1 |
| 11 | 14.1026.0.000 | Core Disc | 1 |
| 12 | 01.3400.0.000 | Nut | 1 |
| 13 | 01.5005.0.001 | Spring Assembly | 1 |
| 14 | 17.0031.1.401 | Pin | 1 |
| 15 | 14.1236.0.000 | Take-Up Lever Assembly | 1 |
| 16 | 10.1053.0.000 | Cotter Pin | (2) |
| 17 | 13.1052.0.001 | Stud | (1) |
| 18 | ————— | Take-Up Lever | (1) |
| 19 | 01.4751.0.000 | Washer | (2) |
| 20 | 01.7630.0.001 | Ball Bearing | (1) |
| 21 | 10.1054.0.000 | Pivot Bushing | 1 |
| 22 | 10.1055.0.000 | Pivot Screw | 1 |
| 23 | 10.1060.2.000 | Spreader Link | 1 |
| 24 | 14.3004.0.051 | Spreader Rocker Assembly | 1 |
| 25 | 14.3004.0.000 | Spreader Rocker | (1) |
| 26 | 01.3025.0.000 | Nut | (1) |
| 27 | 10.1061.1.000 | Bolt Tip | (1) |
| 28 | 01.3010.0.000 | Nut | 1 |
| 29 | 10.3008.0.000 | Screw | 1 |
| 30 | 14.4022.0.051 | Line Spindle Looper Assembly | 1 |
| 31 | 14.4022.0.000 | Spindle – Looper | (1) |
| 32 | 01.4010.0.000 | Washer | (1) |
| 33 | 10.4024.0.000 | Bearing Ring | (1) |
| 34 | 14.4023.0.000 | Adjustable –Collar | (1) |
| 35 | 01.2419.0.001 | Screw | ((1)) |
| 36 | 10.4020.0.000 | Spreader Spindle | 1 |
| 37 | 14.3006.0.201 | Looper Rocker Assembly *CB | 1 |
| 38 | 10.3007.0.000 | Bearing | (2) |
| 39 | 01.3020.0.000 | Nut | (2) |
| 40 | 10.3006.0.090 | Lever | (1) |
| 41 | 01.7309.0.901 | Bearing | (2) |
| 42 | 14.3005.0.000 | Pivot Pin | 1 |
| 43 | 10.3002.0.000 | Locking Plate | 1 |
| 44 | 01.2041.0.000 | Screw | 1 |
| 45 | 14.3003.0.000 | Pivot Pin | 1 |
| | | | |

Released 10/2005

E-mail: service@amfreece.cz; parts@amfreece.cz ; website: www.amfreece.com

Phones: +420 582 309 146 (Service), +420 582 309 286 (Spare Parts) ; Fax: +420 582 360 606

UPPER THREAD TRIMMER



Released 09/2004

E-mail: service@amfreece.cz; parts@amfreece.cz; website: www.amfreece.com
Phones: +420 582 309 146 (Service), +420 582 309 286 (Spare Parts); Fax: +420 582 360 606

UPPER THREAD TRIMMER

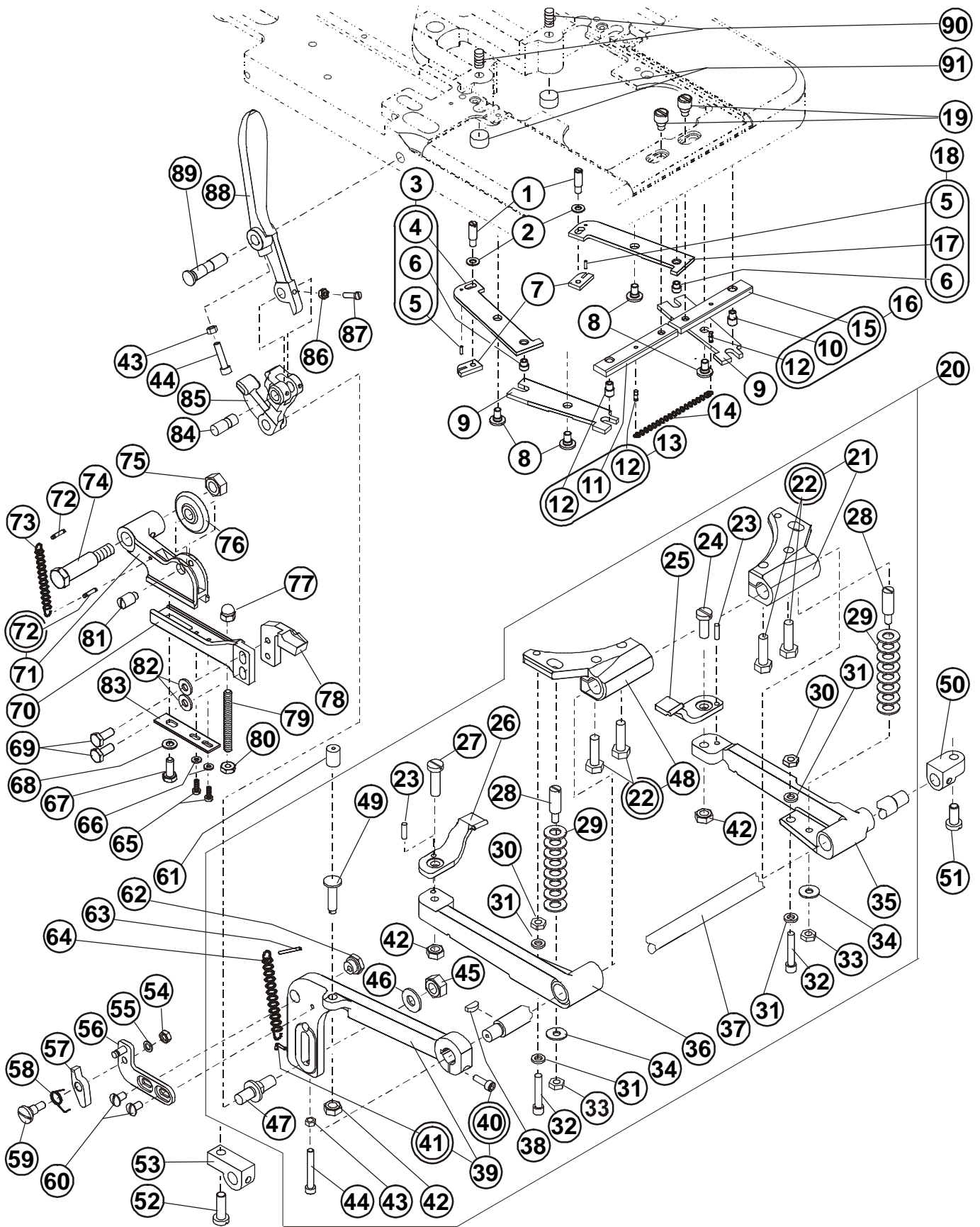
| DET | PART NUMBER | DESCRIPTION | QTY. |
|-----|---------------|-----------------------------|------|
| 01 | 10.2264.0.000 | Rail | 2 |
| 02 | 10.2263.0.000 | Link | 1 |
| 03 | 14.2069.0.050 | Trip Bracket Assembly | 1 |
| 04 | 01.6280.0.000 | Retaining Ring | (2) |
| 05 | 14.2069.0.000 | Trip Bracket | (1) |
| 06 | 14.2069.0.802 | Trip Roller | (1) |
| 07 | 01.6612.0.000 | Pin | (1) |
| 08 | 01.2175.0.000 | Screw | 2 |
| 09 | 01.1661.0.001 | Screw | 4 |
| 10 | See Page 3-14 | Cam Plate | — |
| 11 | 01.7435.1.000 | Collar+Screw | 1 |
| 12 | ————— | Screw | (1) |
| 13 | 14.5019.0.000 | Upper Thread Trimmer Shaft | 1 |
| 14 | 01.5134.0.000 | Spring | 1 |
| 15 | 10.3086.0.000 | Spring Hook Lever*AF | 1 |
| 16 | 10.3206.0.000 | Actuator | (1) |
| 17 | 01.3016.0.000 | Nut | (1) |
| 18 | 14.3085.1.050 | Trimming Lever Assembly* AF | 1 |
| 19 | 10.3205.0.000 | Clevis | (1) |
| 20 | 01.6010.0.000 | Pin | (1) |
| 21 | ————— | Trimming Lever Assembly | (1) |
| 22 | 10.3203.0.000 | Stop Block | (2) |
| 23 | 14.3088.0.000 | Clamp | 1 |
| 24 | 01.2144.0.000 | Screw | 1 |
| 25 | 01.6368.0.000 | Retaining Ring | 1 |
| 26 | 10.3089.2.000 | Latch | 1 |
| 27 | 01.6528.0.000 | Pivot | 1 |
| 28 | 01.5433.0.000 | Spring | 1 |
| 29 | 01.2171.0.000 | Screw | (1) |
| 30 | 14.3087.0.000 | Actuator | 1 |
| 31 | | | |
| 32 | 01.2077.0.000 | Screw | 1 |
| 33 | 01.3005.0.000 | Nut | 1 |
| | | | |

Released 09/2004

E-mail: service@amfreece.cz; parts@amfreece.cz ; website: www.amfreece.com

Phones: +420 582 309 146 (Service), +420 582 309 286 (Spare Parts) ; Fax: +420 582 360 606

CLAMP YOKE ASSEMBLY



Released 10/2004

E-mail: service@amfreece.cz; parts@amfreece.cz ; website: www.amfreece.com

Phones: +420 582 309 146 (Service), +420 582 309 286 (Spare Parts) ; Fax: +420 582 360 606

CLAMP YOKE ASSEMBLY

| DET | PART NUMBER | DESCRIPTION | QTY. |
|-----|---------------|---------------------------|-------|
| 01 | 10.2042.0.000 | Screw | 2 |
| 02 | 01.4067.0.000 | Washer | 2 |
| 03 | 10.2039.0.000 | L.H. Rear Link Assembly | 1 |
| 04 | 14.2039.0.801 | L.H. Rear Link | (1) |
| 05 | 01.6555.0.000 | Pin | (2) |
| 06 | 01.6075.0.000 | Pin | (2) |
| 07 | 10.2041.0.000 | Locking Plate | 2 |
| 08 | 01.1021.0.000 | Screw | 4 |
| 09 | 10.2036.0.000 | Front Link | 2 |
| 10 | 01.6074.0.000 | Pin | (2) |
| 11 | 10.2033.0.801 | R.H. Slide Clamp | (1) |
| 12 | 01.6839.0.001 | Pin | 2 |
| 13 | 10.2034.0.000 | L.H. Clamp Slide Assembly | 1 |
| 14 | 01.5023.0.000 | Spring | 1 |
| 15 | 10.2034.0.801 | L.H. Slide Clamp | (1) |
| 16 | 10.2033.0.000 | R.H. Clamp Slide Assembly | 1 |
| 17 | 14.2040.0.901 | R.H. Rear Link | (1) |
| 18 | 14.2040.0.000 | R.H. Rear Link Assembly | 1 |
| 19 | 01.1020.1.000 | Screw | 2 |
| 20 | 14.2026.0.050 | Compresing Clamp Assembly | 1 |
| 21 | 14.2026.0.002 | Clamp Arm Toggle | (1) |
| 22 | 01.1686.0.401 | Screw | ((4)) |
| 23 | — | Pin | (2) |
| 24 | 01.2539.0.001 | Screw | (1) |
| 25 | 10.2027.1.000 | R.H. Pull Down | (1) |
| 26 | 10.2028.1.000 | L.H. Pull Down | (1) |
| 27 | 01.2539.0.000 | Screw | (1) |
| 28 | 01.1238.0.000 | Stud | (2) |
| 29 | 01.4121.0.000 | Washer | (4) |
| 30 | 01.3404.0.000 | Nut | (2) |
| 32 | 03.6000.0.216 | Screw | (2) |
| 33 | 01.3404.0.000 | Nut | (2) |
| 34 | 01.4559.0.000 | Washer | (2) |
| 35 | 14.2026.0.005 | LH. Clamp Yoke | (1) |
| 36 | 14.2026.0.006 | R.H. Clamp Yoke | (1) |
| 37 | 14.2024.0.000 | Shaft | (1) |
| 38 | 01.8404.0.001 | Key | (1) |
| 39 | 14.2023.1.000 | Toggle Bracket | (1) |
| 40 | 01.2412.0.000 | Screw | ((1)) |
| 41 | 01.6006.0.000 | Pin | ((1)) |
| 42 | 01.3007.0.000 | Nut | (3) |
| 43 | 01.3001.0.000 | Nut | (2) |
| 44 | 01.2482.0.000 | Screw | (2) |
| 45 | 01.3013.0.000 | Nut | (1) |
| 46 | 01.4005.0.000 | Washer | (1) |
| 47 | 10.2024.0.000 | Stud | (1) |
| 48 | 14.2026.0.003 | Clamp Arm Toggle | (1) |
| 49 | 13.2086.0.000 | Adjusting Screw | (1) |
| 50 | 10.2025.0.017 | Clamp Yoke Bearing* AF | 1 |

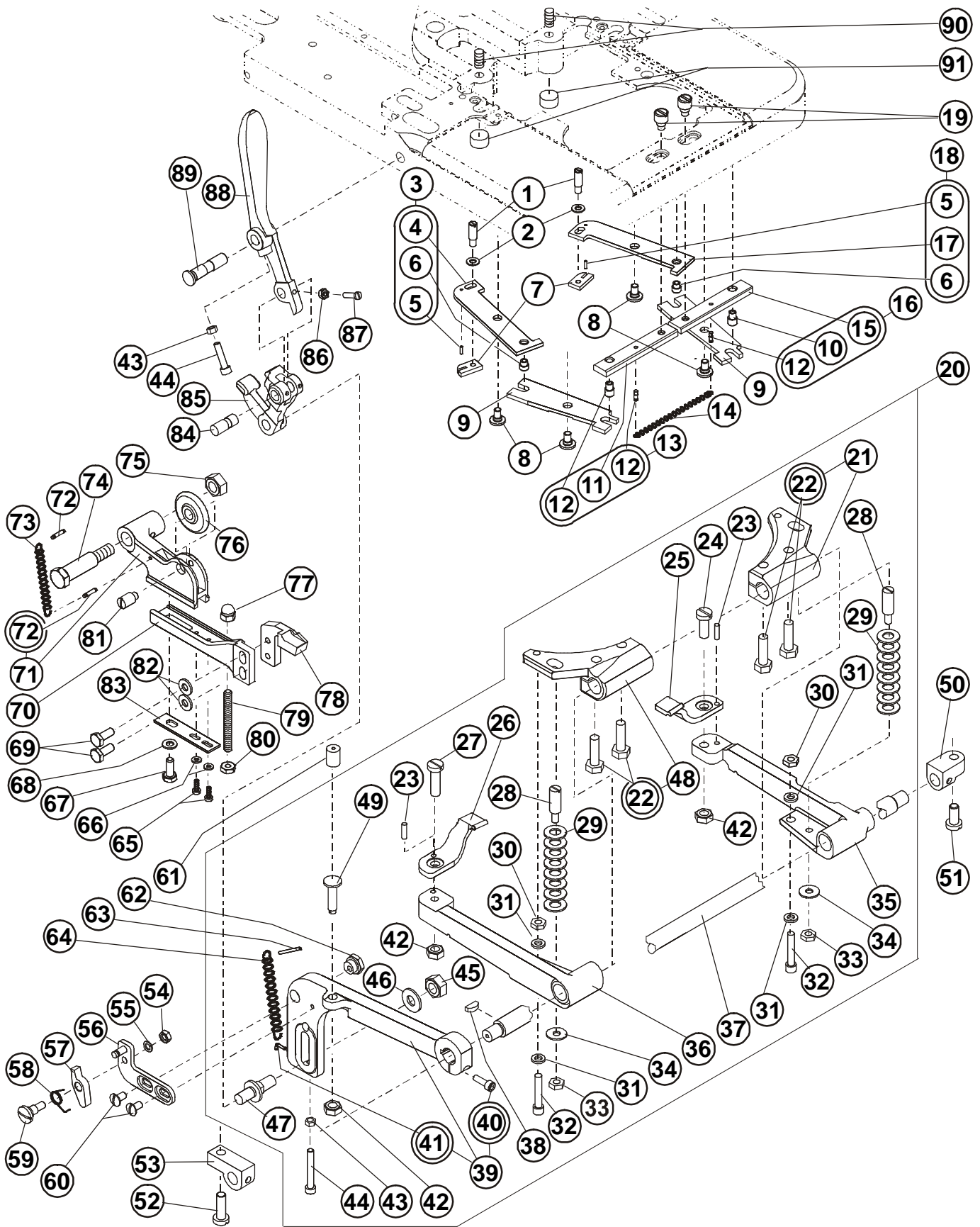
Released 10/2005

E-mail: service@amfreece.cz; parts@amfreece.cz ; website: www.amfreece.com

Phones: +420 582 309 146 (Service), +420 582 309 286 (Spare Parts) ; Fax: +420 582 360 606



CLAMP YOKE ASSEMBLY



Released 10/2004

E-mail: service@amfreece.cz; parts@amfreece.cz ; website: www.amfreece.com

Phones: +420 582 309 146 (Service), +420 582 309 286 (Spare Parts) ; Fax: +420 582 360 606

CLAMP YOKE ASSEMBLY



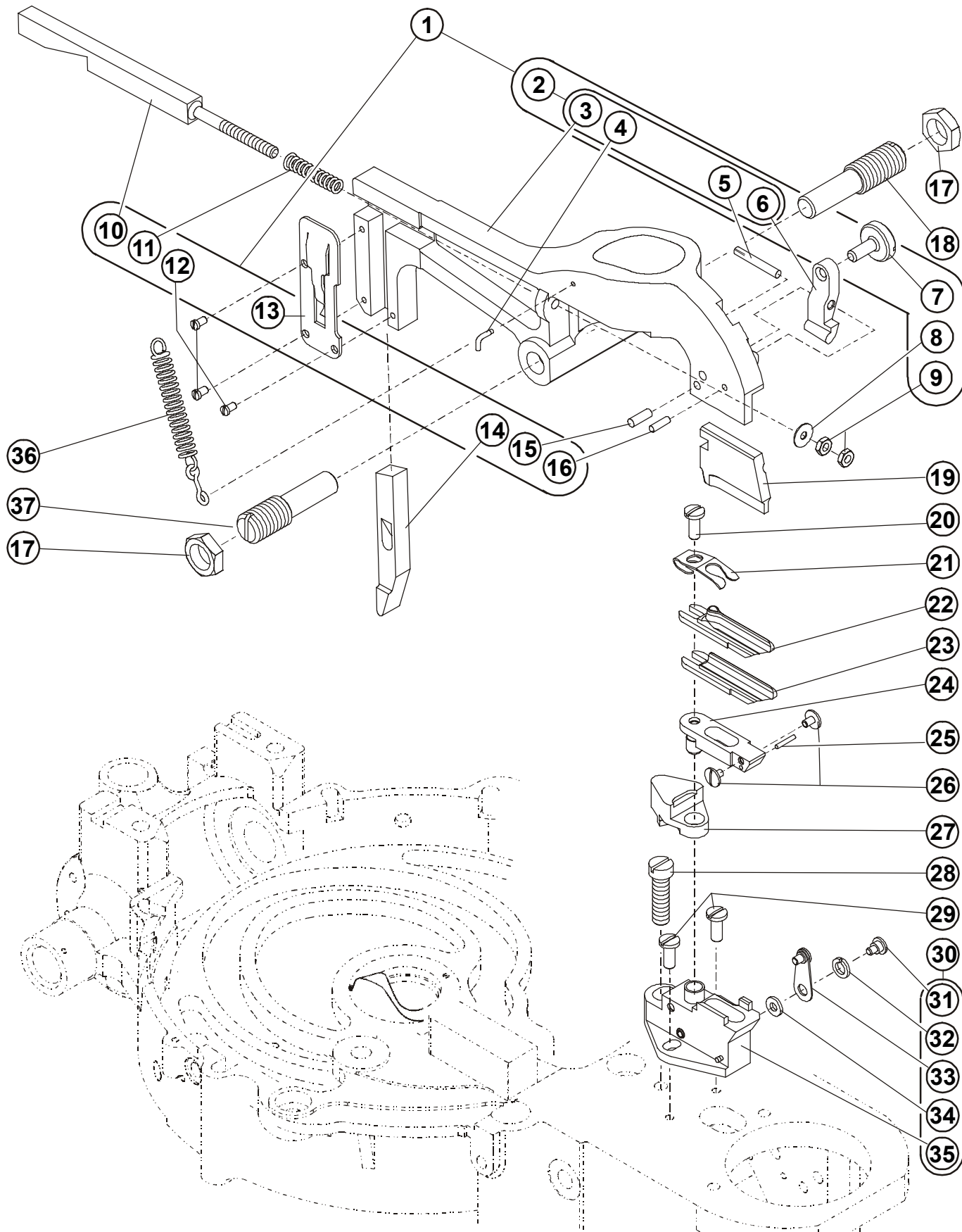
| DET | PART NUMBER | DESCRIPTION | QTY. |
|-----|---------------|-------------------------|-------|
| 51 | 01.2046.0.000 | Screw | 1 |
| 52 | 01.2046.0.000 | Screw | 1 |
| 53 | 10.2025.0.000 | Clamp Yoke Bearing | 1 |
| 54 | 01.3005.0.000 | Nut | 1 |
| | | | |
| 56 | 10.2074.0.000 | Bracket | 1 |
| 57 | 10.2075.0.000 | Latch | 1 |
| 58 | 01.5475.0.000 | Spring | 1 |
| 59 | 01.1457.0.000 | Screw | 1 |
| 60 | 01.2344.0.000 | Screw | 2 |
| 61 | 13.2087.1.000 | Bumper | 1 |
| 62 | 13.2088.0.000 | Eccentric Nut | 1 |
| 63 | 12.1010.0.220 | Pin | 1 |
| 64 | 01.5013.0.000 | Spring | 1 |
| 65 | 01.2241.0.002 | Screw | 2 |
| 66 | 01.4029.0.000 | Washer | 2 |
| 67 | 01.1601.0.001 | Screw | 2 |
| 68 | 01.4063.0.000 | Washer | 1 |
| 69 | 01.1601.0.007 | Screw | 2 |
| 70 | 13.3022.1.023 | Extension | 1 |
| 71 | 13.3023.0.000 | Clamping Lever Assembly | 1 |
| 72 | 01.6014.0.000 | Pin | 1+(1) |
| 73 | 01.5015.0.000 | Spring | 1 |
| 74 | 01.1076.0.000 | V Bolt | 1 |
| 75 | 01.3414.0.000 | Nut | 1 |
| 76 | 14.3025.0.000 | Roller | 1 |
| 77 | 05.0144.0.000 | Nut Plastik Acorn | 1 |
| 78 | 13.3131.0.000 | Tip | 1 |
| 79 | 01.1649.0.004 | Pivot Screw | 1 |
| 80 | 01.3415.0.000 | Nut | 1 |
| 81 | 10.3026.0.000 | Toggle Lever Stud | 1 |
| 82 | 01.4445.0.000 | Washer | 2 |
| 83 | 13.3094.2.000 | Slide | 1 |
| 84 | 10.2022.0.000 | Pivot Stud | 1 |
| 85 | 13.2021.0.023 | Toggle Lever | 1 |
| 86 | 01.3016.0.000 | Nut | 1 |
| 87 | 01.2045.0.000 | Screw | 1 |
| 88 | 10.2019.0.000 | Clamping Lever | 1 |
| 89 | 10.2020.0.000 | Pivot Pin | 1 |
| 90 | 01.2981.0.001 | Screw | 2 |
| 91 | 14.2009.0.000 | Support Button | 2 |
| | | | |
| | | | |
| | | | |
| | | | |
| | | | |

Released 10/2005

E-mail: service@amfreece.cz; parts@amfreece.cz ; website: www.amfreece.com

Phones: +420 582 309 146 (Service), +420 582 309 286 (Spare Parts) ; Fax: +420 582 360 606

CUTTING LEVER ASSEMBLY



Released 09/2004

E-mail: service@amfreece.cz; parts@amfreece.cz ; website: www.amfreece.com
Phones: +420 582 309 146 (Service), +420 582 309 286 (Spare Parts) ; Fax: +420 582 360 606

CUTTING LEVER ASSEMBLY

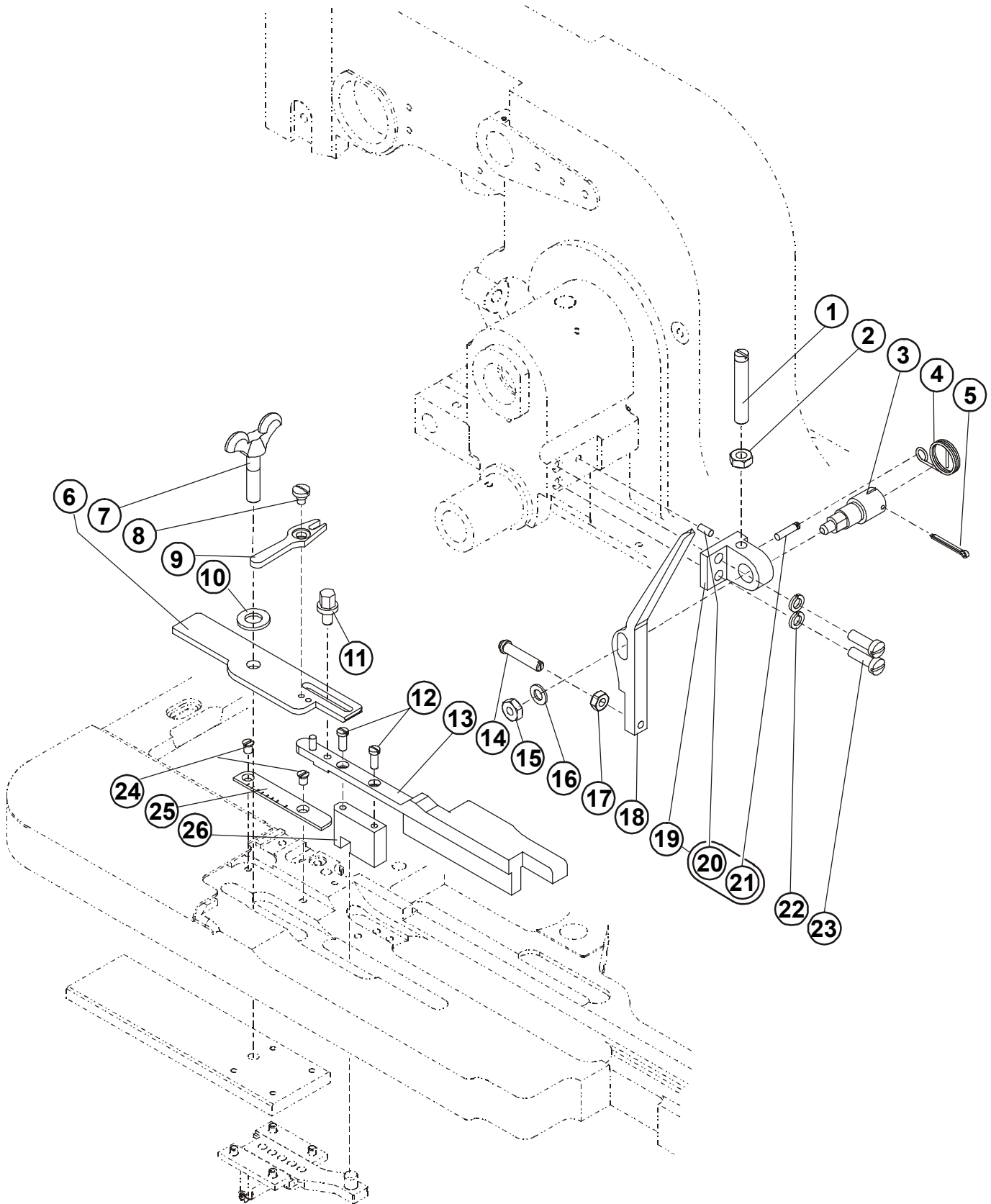
| DET | PART NUMBER | DESCRIPTION | QTY. |
|-----|---------------|---|-------|
| 01 | 14.8888.2.287 | Cutting Lever Assembly | 1 |
| 02 | 10.1068.1.050 | Cutting Lever Assembly | ((1)) |
| 03 | 10.1068.0.901 | Cutting Lever* Machined | (1) |
| 04 | 01.6560.0.000 | Anchor | ((1)) |
| 05 | 01.6837.0.000 | Pin | ((1)) |
| 06 | 10.1163.0.000 | Clamp | ((1)) |
| 07 | 01.1257.0.000 | Screw | 1 |
| 08 | 01.4001.0.000 | Washer | (1) |
| 09 | 01.3001.0.000 | Nut | (2) |
| 10 | 10.1072.0.000 | Pressure Bar | (1) |
| 11 | 01.5061.0.000 | Spring | (1) |
| 12 | 01.2013.0.000 | Screw | (3) |
| 13 | 10.1073.1.000 | Cover Plate | (1) |
| 14 | 10.1071.1.023 | Cutting Cam Follower | (1) |
| 15 | 01.6026.0.000 | Pin | ((1)) |
| 16 | 01.3010.0.000 | Pin | ((1)) |
| 17 | 01.3006.0.000 | Nut | (2) |
| 18 | 10.1074.0.000 | L.H. Pivot Stud | (1) |
| | 10.1069.0.001 | Cutting Steel* 1/2" Eye | 1 |
| 19 | See Page 3-51 | Cutting Steel* 3/4" Eye Cutting Steel* 1" Eye Cutting Steel* 1-1/4" Eye | — |
| 20 | 01.2039.0.000 | Screw | 1 |
| 21 | 10.3074.0.011 | Cloth Lifting Spring*CB | 1 |
| 22 | 10.3072.0.024 | Knife | 1 |
| 23 | See Page 3-21 | Knife | 1 |
| 24 | 10.3071.1.250 | Knife Pad | 1 |
| 25 | 01.6036.0.000 | Pin | 1 |
| 26 | 01.2102.0.000 | Screw | 2 |
| 27 | 10.3067.4.254 | Spreading Block | 1 |
| 28 | 01.2038.0.000 | Screw | 1 |
| 29 | 01.2039.0.000 | Screw | 2 |
| 30 | 10.3070.0.251 | Knife Holder Assembly | 1 |
| 31 | 01.1130.0.000 | Screw | (1) |
| 32 | 01.4003.0.000 | Washer | (1) |
| 33 | 01.5173.0.000 | Spring | (1) |
| 34 | 01.4029.0.000 | Washer | (1) |
| 35 | 10.3070.0.250 | Knife Holder | (1) |
| 36 | 01.5006.0.001 | Spring | 1 |
| 37 | 10.1074.0.250 | R.H. Pivot Stud | 1 |
| | | | |

Released 09/2004

E-mail: service@amfreece.cz; parts@amfreece.cz; website: www.amfreece.com

Phones: +420 582 309 146 (Service), +420 582 309 286 (Spare Parts); Fax: +420 582 360 606

LENGTH GAUGE



Released 09/2004

E-mail: service@amfreece.cz; parts@amfreece.cz ; website: www.amfreece.com

Phones: +420 582 309 146 (Service), +420 582 309 286 (Spare Parts) ; Fax: +420 582 360 606

LENGTH GAUGE

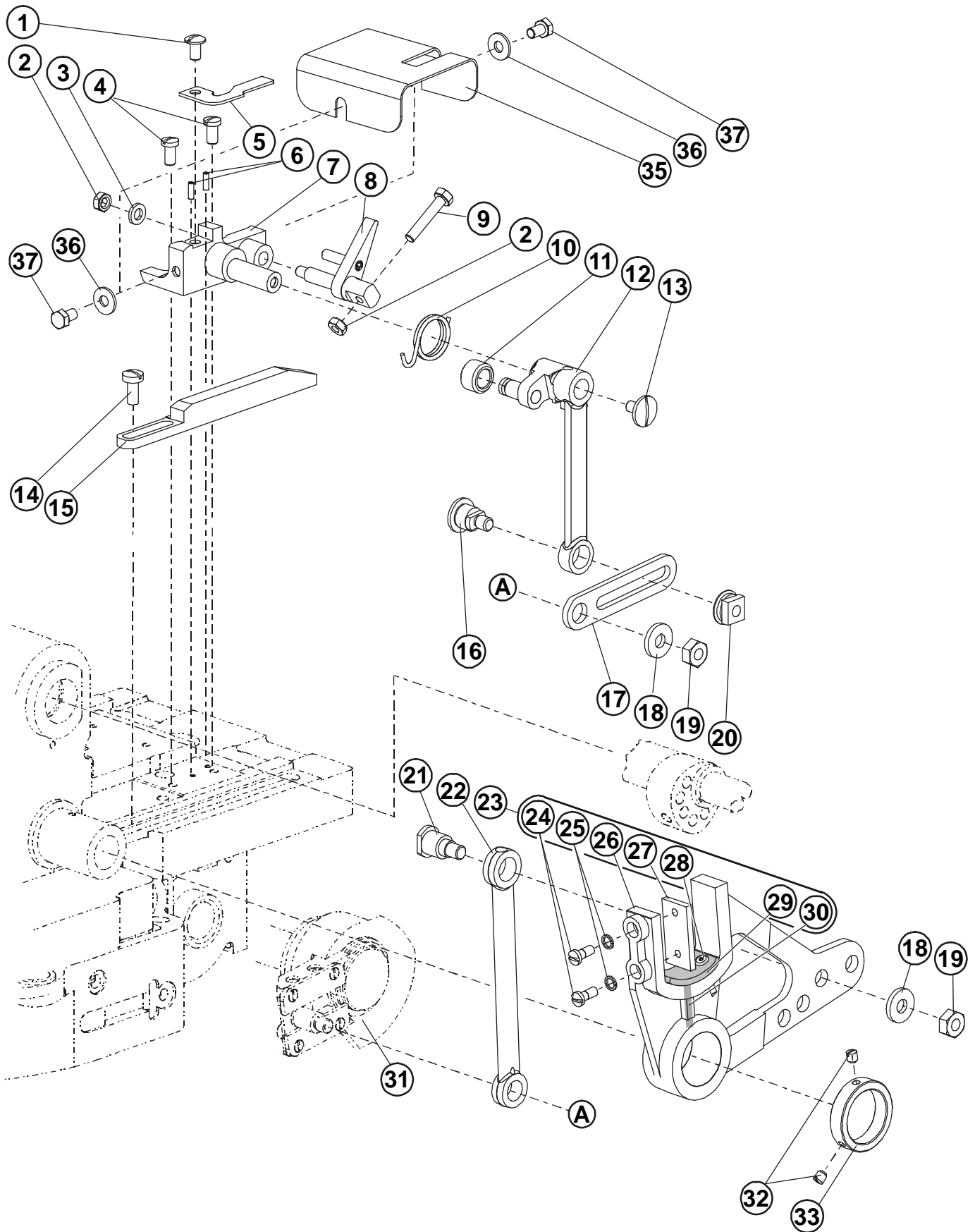
| DET | PART NUMBER | DESCRIPTION | QTY. |
|-----|----------------|-----------------------|------|
| 01 | 01.2066.0.000 | Screw | 1 |
| 04 | 01.5088.0.000 | Spring | 1 |
| 03 | 10.1125.2.000 | Stud | 1 |
| 05 | 10.1053.0.000 | Cotter Pin | 1 |
| 06 | 10.2251.0.001 | Lenght Plate* 7mm | 1 |
| 07 | 14.2254.1.901 | Wing Bolt Assembly | 1 |
| 08 | 10.2252.0.000 | Screw | 1 |
| 09 | 10.2253.0.000 | Tack Lever | 1 |
| 10 | 01.4063.0.000 | Washer | 1 |
| 11 | 10.2250.1.000 | Nut | 1 |
| 02 | 01.3011.0.000 | Nut | 1 |
| 12 | 01.2084.0.000 | Screw | 2 |
| 13 | 10.2018.1.250 | Lenght Gauge* Regular | 1 |
| 14 | 10.1126.0.000 | Screw | 1 |
| 15 | 01.3020.0.000 | Nut | 1 |
| 16 | 08.6852.6.000 | Washer | 1 |
| 17 | 01.3005.0.000 | Nut | 1 |
| 18 | 10.1124.0.000 | Trip Lever | 1 |
| 19 | 10.1127.3.000 | Trip Lever Bracket | 1 |
| 20 | 01.6020.0.000 | Pin | (1) |
| 21 | 01.6833.0.002 | Spring Anchor | (1) |
| 22 | 01.4003.0.000 | Washer | 2 |
| 23 | 01.20I F.0.000 | Screw | 2 |
| 24 | 01.2075.0.001 | Screw | 2 |
| 25 | 10.2261.0.030 | Lenght Gauge* Inches | 1 |
| | 10.2261.0.040 | Lenght Gauge* Metric | |
| | 14.2261.0.000 | Lenght Gauge* ST.CT | |
| 26 | 10.2262.0.000 | Block | 1 |
| | | | |

Released 09/2004

E-mail: service@amfreece.cz; parts@amfreece.cz ; website: www.amfreece.com

Phones: +420 582 309 146 (Service), +420 582 309 286 (Spare Parts) ; Fax: +420 582 360 606

STITCH FEED



Released 09/2004

E-mail: service@amfreece.cz; parts@amfreece.cz ; website: www.amfreece.com

Phones: +420 582 309 146 (Service), +420 582 309 286 (Spare Parts) ; Fax: +420 582 360 606

STITCH FEED

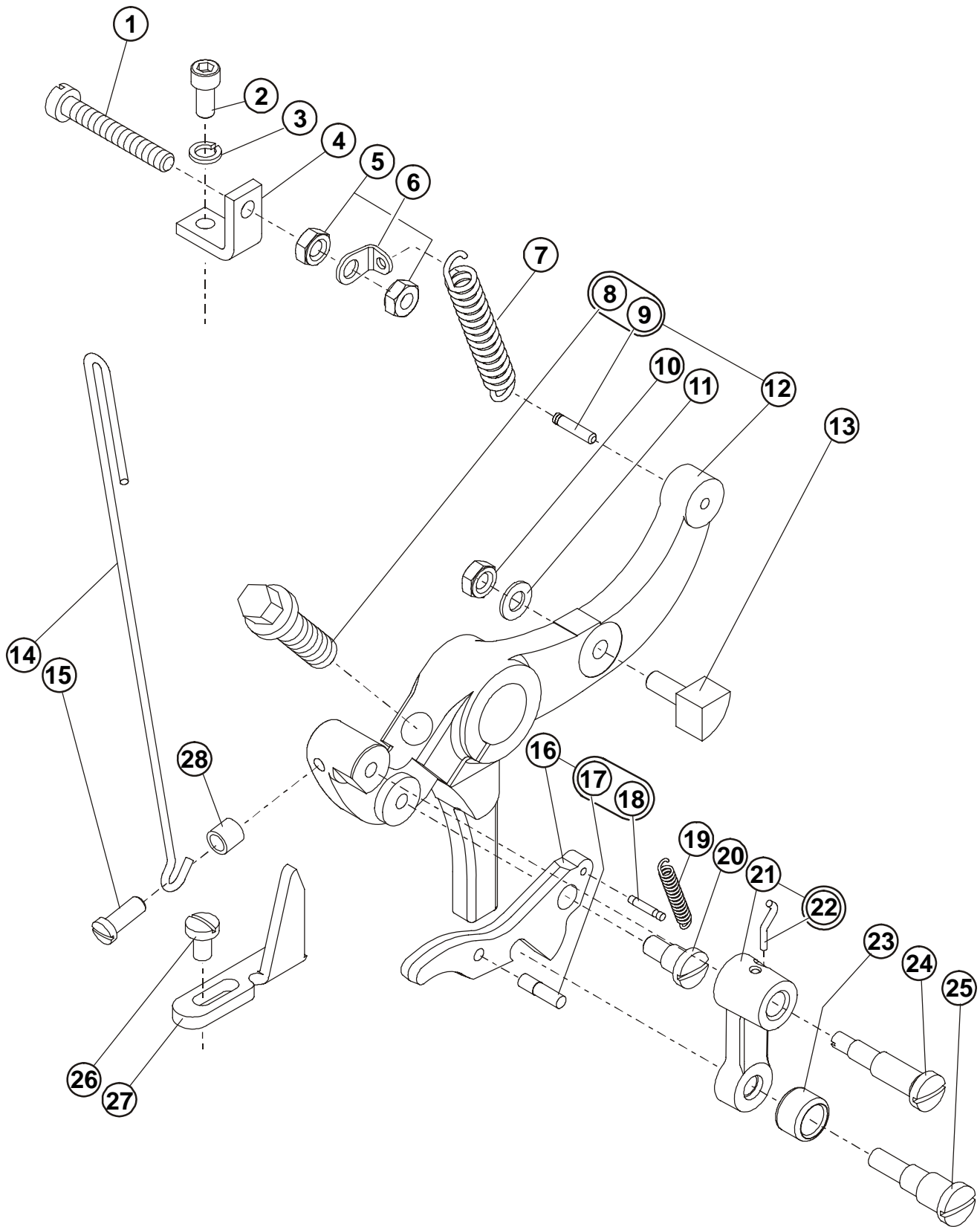
| DET | PART NUMBER | DESCRIPTION | QTY. |
|-----|---------------|----------------------------|-------|
| 01 | 01.2344.0.000 | Screw | 1 |
| 02 | 01.3005.0.000 | Nut | 2 |
| 03 | 01.4042.0.000 | Washer | 1 |
| 04 | 01.2130.0.000 | Screw | 2 |
| 05 | 01.5447.0.000 | Spring | 1 |
| 06 | 01.6428.0.000 | Pin | 2 |
| 07 | 10.1167.1.000 | Shifter Block | 1 |
| 08 | 10.1169.0.000 | Shifter | 1 |
| 09 | 01.2543.0.000 | Screw | 1 |
| 10 | 01.5448.0.000 | Spring | 1 |
| 11 | 10.2007.0.350 | Roll | 1 |
| 12 | 10.1168.0.000 | Link | 1 |
| 13 | 01.2146.0.000 | Screw | 1 |
| 14 | 01.2041.0.000 | Screw | 1 |
| 15 | 10.2061.0.000 | Stitch Taske-Out Wedge | 1 |
| 16 | 01.1028.0.000 | Stud | 1 |
| 17 | 10.3081.0.000 | Arm | 1 |
| 18 | 01.4503.0.000 | Washer | 2 |
| 19 | 01.3042.0.000 | Nut | 2 |
| 20 | 01.3019.0.000 | Nut | 1 |
| 21 | 01.1132.0.000 | Screw | 1 |
| 22 | 10.1109.3.000 | Link | 1 |
| 23 | 14.1108.0.050 | Follower-Feed Cam Assembly | 1 |
| 24 | 01.2022.0.000 | Screw | (2) |
| 25 | 01.4019.0.000 | Spring Washer | (2) |
| 26 | 14.1108.0.901 | Feed Cam Follow | ((1)) |
| 27 | 10.1107.0.801 | Plate | (1) |
| 28 | 12.4021.0.312 | Rivet | (1) |
| 29 | 14.1029.0.000 | Feelt | (1) |
| 30 | 07.0400.0.000 | Wick | (1) |
| 31 | See Page 3-7 | Feed Clutch Assembly | — |
| 32 | 08.6400.5.305 | Screw | (2) |
| 33 | 01.7038.1.000 | Collar | (1) |
| 34 | | | |
| 35 | 10.1170.0.000 | Stitch feed Cover | 1 |
| 36 | 01.4052.0.000 | Washer | 2 |
| 37 | 01.2390.0.000 | Screw | 2 |
| | | | |

Released 09/2004

E-mail: service@amfreece.cz; parts@amfreece.cz ; website: www.amfreece.com

Phones: +420 582 309 146 (Service), +420 582 309 286 (Spare Parts) ; Fax: +420 582 360 606

THREE FORK LEVER



Released 10/2005

E-mail: service@amfreece.cz; parts@amfreece.cz ; website: www.amfreece.com

Phones: +420 582 309 146 (Service), +420 582 309 286 (Spare Parts) ; Fax: +420 582 360 606

THREE FORK LEVER

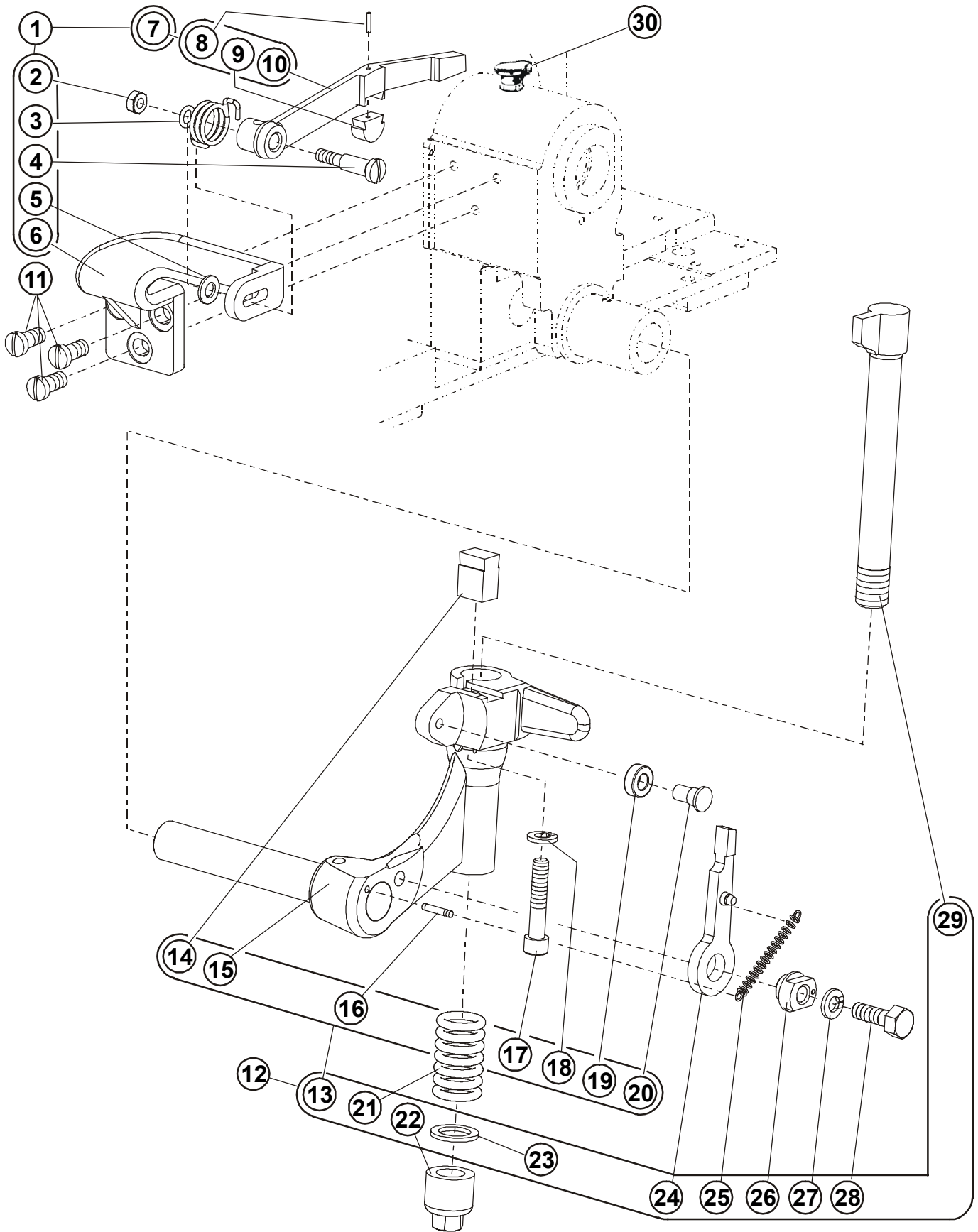
| DET | PART NUMBER | DESCRIPTION | QTY. |
|-----|---------------|----------------|------|
| 01 | 01.1969.0.001 | Screw | 1 |
| 02 | 01.2412.0.000 | Screw | 1 |
| 03 | 01.4407.0.000 | Lockwasher | 1 |
| 04 | 14.1099.0.000 | Spring Bracket | 1 |
| 05 | 01.3001.0.000 | Nut | 2 |
| 06 | 14.5034.0.000 | Cord Guide | 1 |
| 07 | 01.5075.0.000 | Spring | 1 |
| 08 | 10.1114.1.000 | Screw | (1) |
| 09 | 12.1015.0.001 | Anchor Pin | (1) |
| 10 | 01.3005.0.000 | Nut | 1 |
| 11 | 01.4011.0.000 | Washer | 1 |
| 12 | 10.1113.0.000 | Lever | 1 |
| 13 | 10.1117.0.000 | Dog | 1 |
| 14 | 10.1083.0.000 | Link | 1 |
| 15 | 01.2321.0.000 | Screw | 1 |
| 16 | 10.1118.0.000 | Lever Assembly | 1 |
| 17 | 01.6166.0.000 | Pin | (1) |
| 18 | 01.6005.0.000 | Anchor Pin | (1) |
| 19 | 01.5014.0.000 | Spring | 1 |
| 20 | 10.1119.0.000 | Screw | 1 |
| 21 | 10.1120.0.000 | Link | 1 |
| 22 | 01.6030.0.000 | Pin | (1) |
| 23 | 10.1122.0.017 | Rool | 1 |
| 24 | 01.1095.0.000 | Screw | 1 |
| 25 | 10.1121.0.017 | Stud | 1 |
| 26 | 01.2042.0.000 | Screw | 1 |
| 27 | 10.2016.0.000 | Bumper | 1 |
| 28 | 10.1115.0.000 | Spacer | 1 |
| | | | |

Released 10/2005

E-mail: service@amfreece.cz; parts@amfreece.cz; website: www.amfreece.com

Phones: +420 582 309 146 (Service), +420 582 309 286 (Spare Parts); Fax: +420 582 360 606

ROCKING LEVER



Released 09/2004

E-mail: service@amfreece.cz; parts@amfreece.cz; website: www.amfreece.com
Phones: +420 582 309 146 (Service), +420 582 309 286 (Spare Parts); Fax: +420 582 360 606

ROCKING LEVER

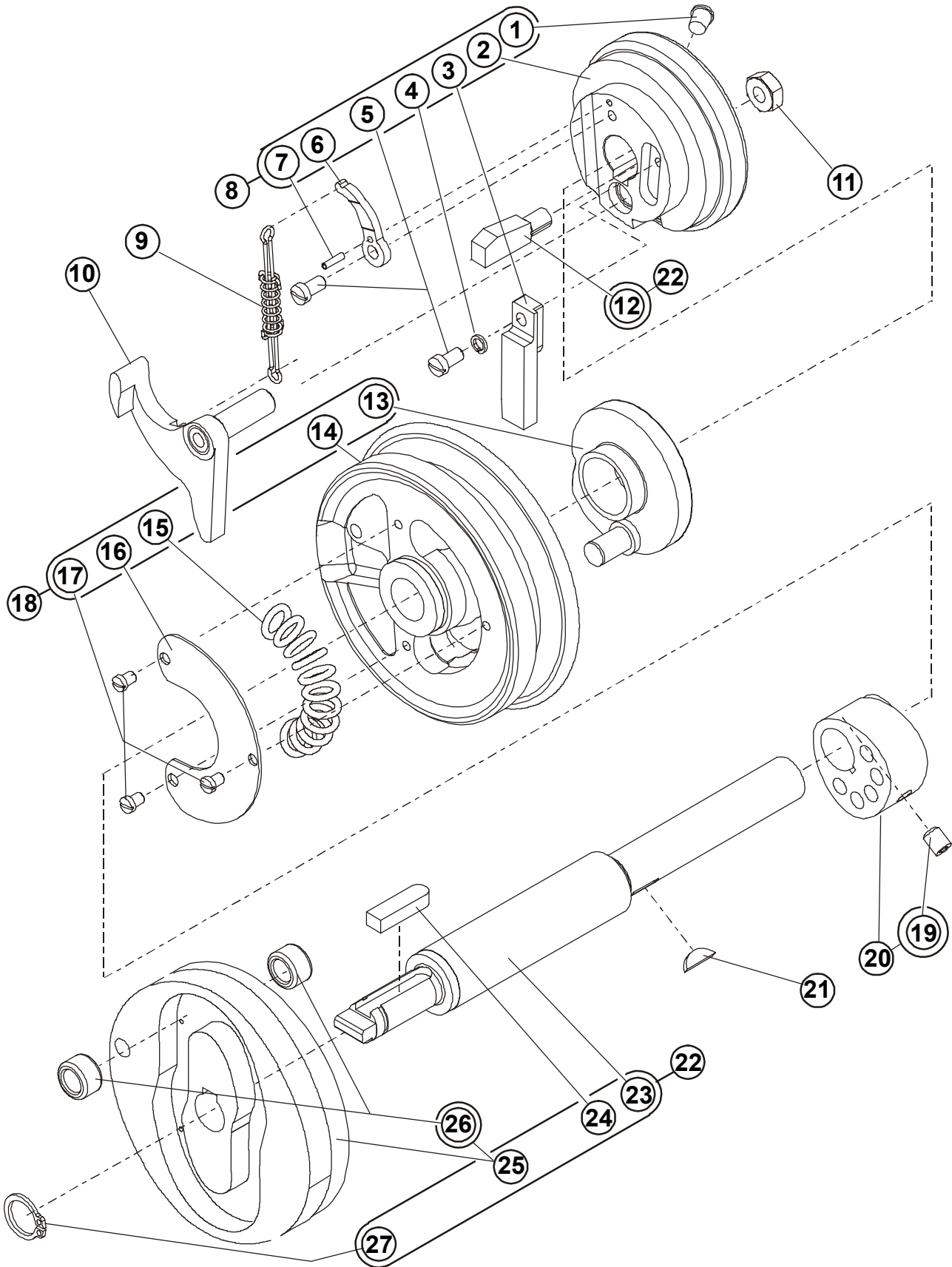
| DET | PART NUMBER | DESCRIPTION | QTY. |
|-----|---------------|------------------------------|-------|
| 01 | 14.1085.0.850 | Fly Over Lever Assembly | 1 |
| 02 | 01.3005.0.000 | Nut | (1) |
| 03 | 01.5007.0.000 | Spring | (1) |
| 04 | 10.1086.0.000 | Screw | (1) |
| 05 | 01.4002.0.000 | Washer | (1) |
| 06 | 10.1087.0.000 | Bracket | (1) |
| 07 | 14.1085.0.000 | Flyover Lever Assembly | (1) |
| 08 | 01.6638.0.000 | Pin | ((1)) |
| 09 | 14.1084.0.000 | Wear Pad | ((1)) |
| 10 | 14.1085.0.901 | Flyover Lever | ((1)) |
| 11 | 01.2017.0.000 | Screw | 1 |
| 12 | 10.1098.0.850 | Rocking Lever Assembly | 1 |
| 13 | 10.1098.2.050 | Rocking Arm & Shaft Assembly | (1) |
| 14 | 14.1102.0.000 | Dog | ((1)) |
| 15 | — | Rocking Arm & Shaft | ((1)) |
| 16 | 01.6014.0.000 | Pin | ((1)) |
| 17 | 01.1624.0.002 | Screw | ((1)) |
| 18 | 01.4004.0.000 | Washer | ((1)) |
| 19 | 01.7002.1.000 | Roll | ((1)) |
| 20 | 01.6350.1.000 | Stud | ((1)) |
| 21 | 01.5010.0.000 | Spring | (1) |
| 22 | 01.3436.0.000 | Nut | (1) |
| 23 | 01.4034.0.003 | Washer | (1) |
| 24 | 10.1100.0.000 | Latch | (1) |
| 25 | 01.5011.0.000 | Spring | (1) |
| 26 | 10.1101.0.000 | Eccentric | (1) |
| 27 | 01.4004.0.000 | Washer | (1) |
| 28 | 01.2020.0.000 | Screw | (1) |
| 29 | 10.1099.0.000 | Bolt | (1) |
| 30 | 10.1149.0.000 | Oil Cup | 1 |
| | | | |

Released 09/2004

E-mail: service@amfreece.cz; parts@amfreece.cz; website: www.amfreece.com

Phones: +420 582 309 146 (Service), +420 582 309 286 (Spare Parts); Fax: +420 582 360 606

STOP WHEEL & STITCH DRIVE ASSEMBLY



Released 09/2004

E-mail: service@amfreece.cz; parts@amfreece.cz ; website: www.amfreece.com
Phones: +420 582 309 146 (Service), +420 582 309 286 (Spare Parts) ; Fax: +420 582 360 606

STOP WHEEL & STITCH DRIVE ASSEMBLY

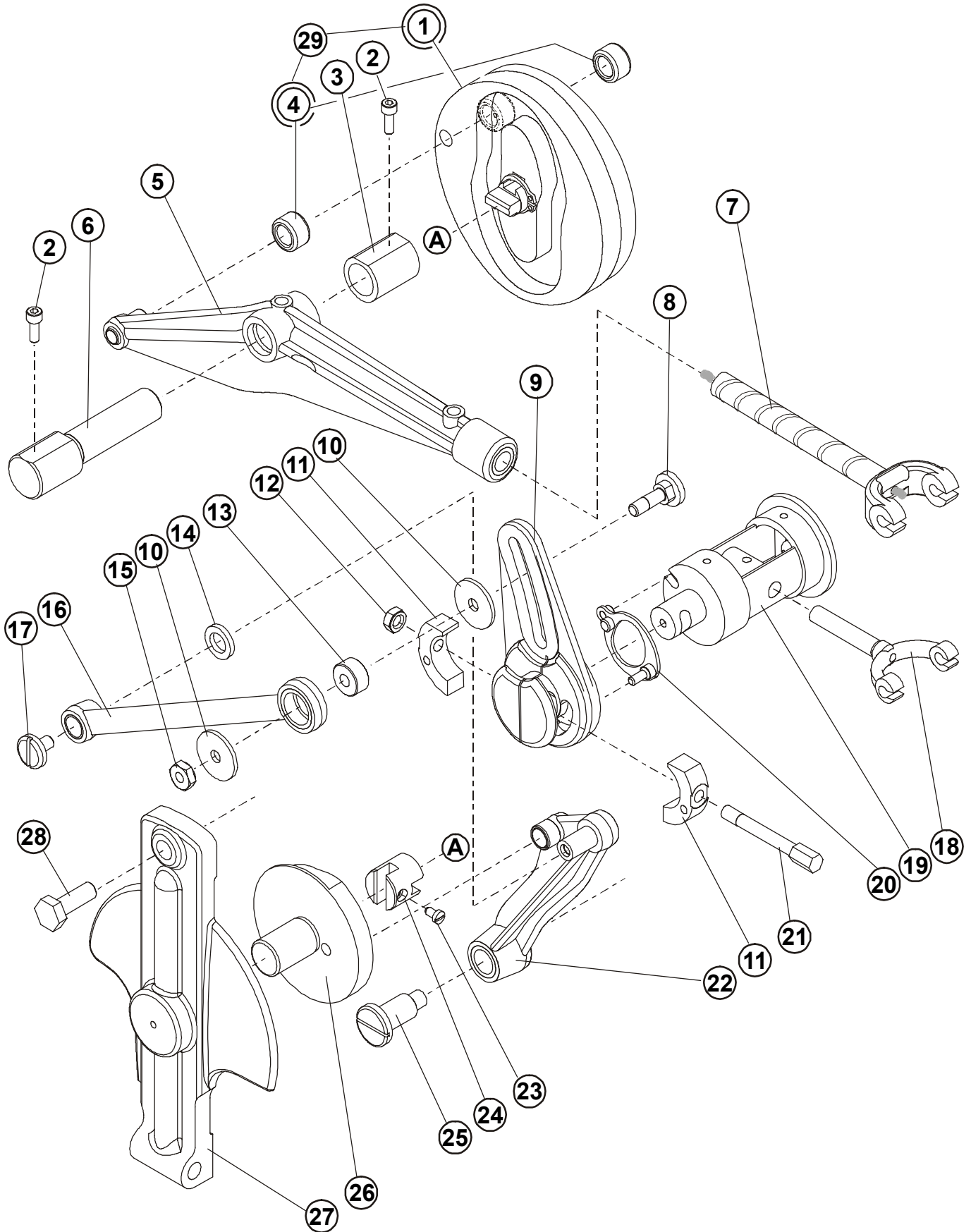
| DET | PART NUMBER | DESCRIPTION | QTY. |
|-----|---------------|-----------------------------|-------|
| 01 | 17.0004.7.253 | Oil Cup | (1) |
| 02 | — | Hand Wheel | (1) |
| 03 | 10.1155.2.000 | Stop | (1) |
| 04 | 08.6800.4.000 | Washer | (1) |
| 05 | 08.6010.4.012 | Screw | (2) |
| 06 | 10.1090.0.000 | Arm | (1) |
| 07 | 12.1014.0.004 | Pin | (1) |
| 08 | 10.1088.1.050 | Stop Wheel Assembly | 1 |
| 09 | 01.5450.0.000 | Spring | 1 |
| 10 | 14.1089.0.000 | Clutch Dog | 1 |
| 11 | 01.3007.0.000 | Nut | 1 |
| 12 | 10.1097.1.000 | Key | 1 |
| 13 | 10.1095.3.000 | Drive Cam | (1) |
| 14 | 10.1094.3.050 | Stitch Pulley | (1) |
| 15 | 01.5009.0.000 | Spring | (1) |
| 16 | 13.1096.0.000 | Cover Plate | (1) |
| 17 | 01.2019.0.000 | Screw | (3) |
| 18 | 10.1094.3.850 | Line Stitch Pulley Assembly | (1) |
| 19 | 01.1975.0.000 | Screw | (1) |
| 20 | 10.1093.2.000 | Feed Cam | 1 |
| 21 | 01.8002.0.000 | Key | 1 |
| 22 | 10.1091.0.000 | Stitch Cam/Shaft Assembly | 1 |
| 23 | 10.1091.1.801 | Shaft | (1) |
| 24 | 10.1091.1.803 | Key | (1) |
| 25 | See Page 3-41 | Stitch Cam | (—) |
| 26 | See Page 3-41 | Roll | ((—)) |
| 27 | 01.6384.0.000 | Retaining Ring | (1) |
| | | | |

Released 09/2004

E-mail: service@amfreece.cz; parts@amfreece.cz ; website: www.amfreece.com

Phones: +420 582 309 146 (Service), +420 582 309 286 (Spare Parts) ; Fax: +420 582 360 606

NEEDLE BAR DRIVE AND VIBRATOR



Released 09/2004

E-mail: service@amfreece.cz; parts@amfreece.cz ; website: www.amfreece.com

Phones: +420 582 309 146 (Service), +420 582 309 286 (Spare Parts) ; Fax: +420 582 360 606

NEEDLE BAR DRIVE AND VIBRATOR

| DET | PART NUMBER | DESCRIPTION | QTY. |
|-----|---------------|-----------------------------|-------|
| 01 | 10.1091.0.802 | Stitch Cam-101* Machin | (1) |
| 02 | 01.2413.0.000 | Screw | 2 |
| 03 | 13.1049.0.000 | Bushing | 1 |
| 04 | See Chart | Roll | ((1)) |
| 05 | 14.1047.0.000 | Stitch Drive Lever Assembly | 1 |
| 06 | 13.1050.0.000 | Pivot Stud | 1 |
| 07 | 14.1046.0.050 | Yoke Assembly | 1 |
| 08 | 10.1037.0.000 | Stud | 1 |
| 09 | 10.1038.2.000 | Vibrator Crank | 1 |
| 10 | 10.1039.0.000 | Washer | 2 |
| 11 | 10.1147.0.000 | Clamp Block | 2 |
| 12 | 01.3005.0.000 | Nut | 1 |
| 13 | 10.1040.0.000 | Bushing | 1 |
| 14 | 10.1024.0.002 | Washer (Std.) .0779"-.0782" | 1 |
| | 10.1024.0.001 | Washer (O/S.) .0782"-.0785" | |
| | 10.1024.0.003 | Washer (O/S.) .0776"-.0779" | |
| 15 | 01.3020.0.001 | Nut | 1 |
| 16 | 14.1041.0.000 | Vibrator Drag Link | 1 |
| 17 | 01.2011.0.000 | Screw | 1 |
| 18 | 10.1034.0.000 | Vibrator Yoke | 1 |
| 19 | 14.1035.0.050 | Vibrator Barrel Assembly | 1 |
| 20 | 10.1153.0.000 | Adjustment Plate | 1 |
| 21 | 13.1036.0.000 | Bolt | 1 |
| 22 | 14.1043.0.000 | Vibrator Cam Follower | 1 |
| 23 | 10.1031.0.000 | Screw | 1 |
| 24 | 10.1076.0.000 | Coupling Block | 1 |
| 25 | 10.1044.0.000 | Screw | 1 |
| 26 | 05.0531.0.001 | Vibrator Cam | 1 |
| 27 | 10.1188.0.000 | Support - Cam | 1 |
| 28 | 01.2093.0.000 | Screw | 1 |
| 29 | See Page 3-39 | Stich Cam/Shaft Assembly | — |

| Roll Chart | | | | | | |
|------------|---------------------------|---------------|---------|---------------------------|---------------|----------|
| DET | 04 | | | | | |
| | Dia. | Roll P/N | Size | Dia. | Roll P/N | Size |
| | .5000 +.0000 -.0003 | 10.1122.0.010 | Std. | .5014 +.0000 -.0002 | 10.1122.0.012 | #6 O.S. |
| | .5002 +.0000 -.0002 | 10.1122.0.999 | #1 O.S. | .5018 +.0000 -.0002 | 10.1122.0.013 | #7 O.S. |
| | .5004 +.0000 -.0002 | 10.1122.0.998 | #2 O.S. | .5022 +.0000 -.0002 | 10.1122.0.014 | #8 O.S. |
| | .5006 +.0000 -.0002 | 10.1122.0.980 | #3 O.S. | .5026 +.0000 -.0002 | 10.1122.0.015 | #9 O.S. |
| | .5010 +.0000 -.0002 | 10.1122.0.011 | #5 O.S. | .5030 +.0000 -.0002 | 10.1122.0.016 | #10 O.S. |

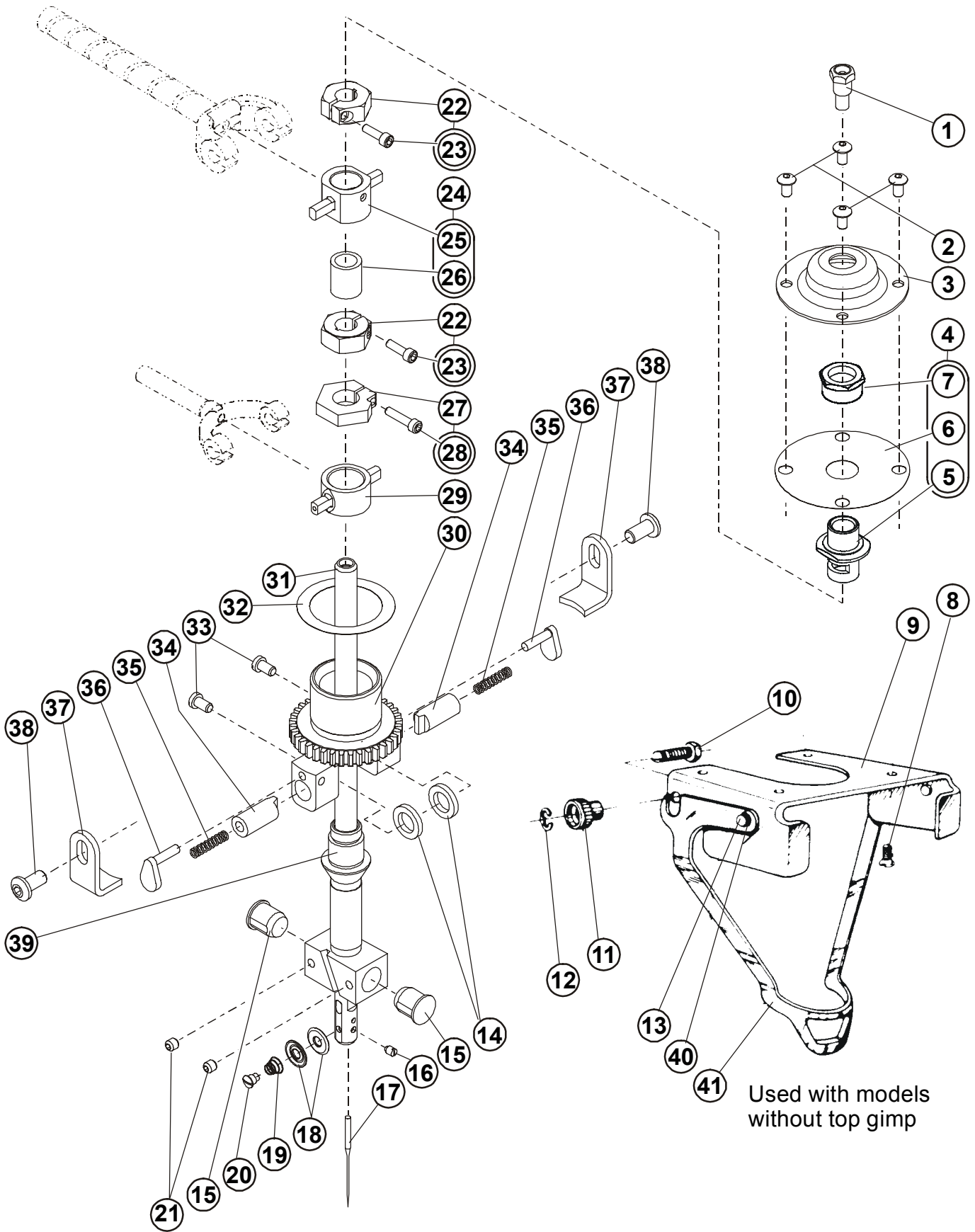
To be used on oversized cam slots

Released 09/2004

E-mail: service@amfreece.cz; parts@amfreece.cz; website: www.amfreece.com

Phones: +420 582 309 146 (Service), +420 582 309 286 (Spare Parts); Fax: +420 582 360 606

NEEDLE BAR AND GEAR



Used with models
without top gimp

Released 09/2004

E-mail: service@amfreece.cz; parts@amfreece.cz ; website: www.amfreece.com
Phones: +420 582 309 146 (Service), +420 582 309 286 (Spare Parts) ; Fax: +420 582 360 606

NEEDLE BAR AND GEAR

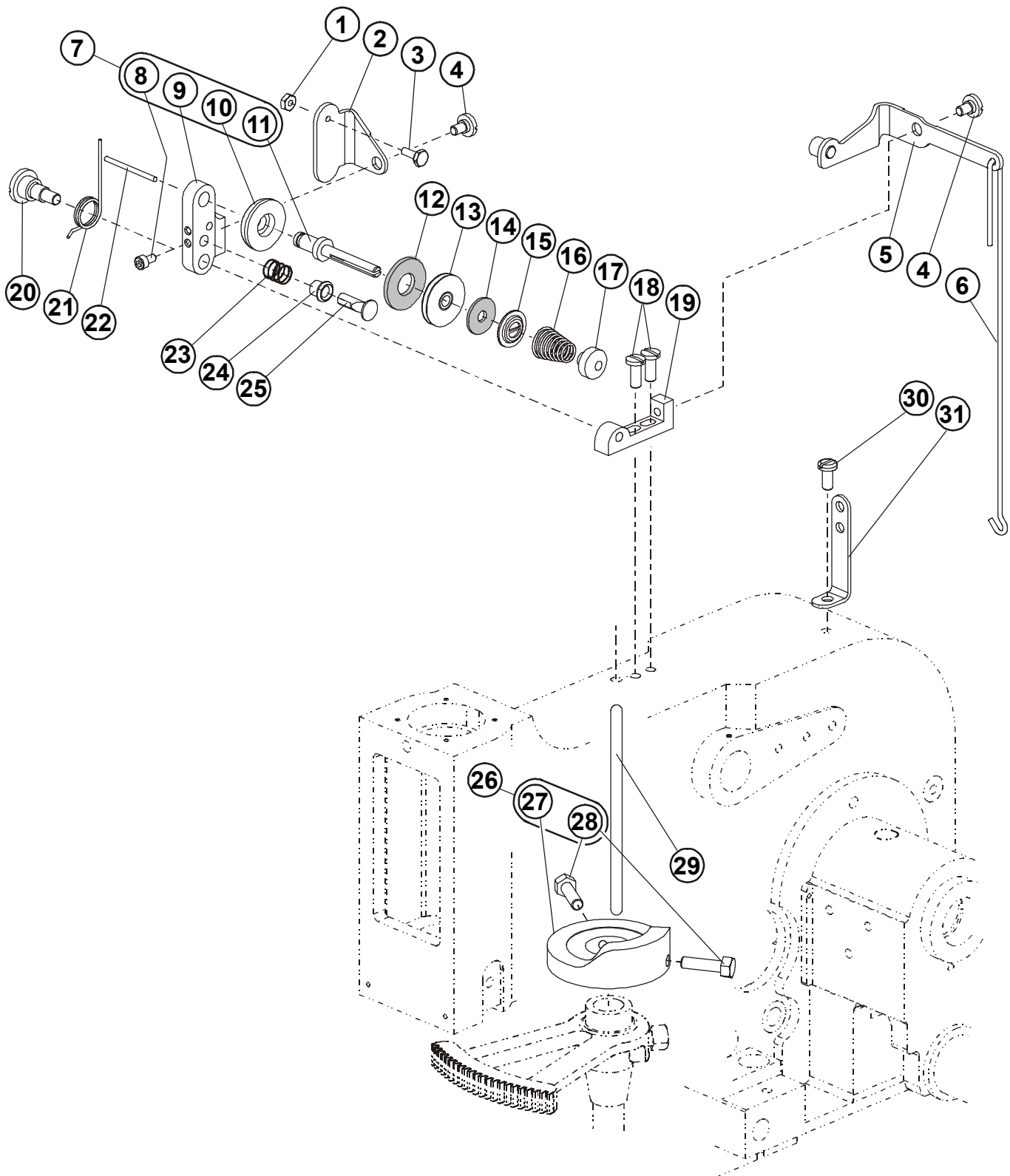
| DET | PART NUMBER | DESCRIPTION | QTY. |
|---------------|---------------|-----------------------------|------|
| 01 | 10.1032.0.000 | Bushing | 1 |
| 02 | 01.1661.0.001 | Screw | 4 |
| 03 | 10.1014.1.000 | Cap | 1 |
| 04 | 14.1016.1.050 | Needle Bar Guide Assembly | 1 |
| 05 | 14.1017.0.000 | Guide (w/Nut) | (1) |
| 06 | 14.1042.0.000 | Diaphragm | (1) |
| 07 | 10.1016.2.000 | Nut | (1) |
| 08 | 01.2075.0.000 | Screw | 4 |
| 09 | 10.1193.2.002 | Bracket | 1 |
| 10 | 01.2248.0.000 | Screw | 1 |
| 11 | 10.3512.0.000 | Nut | 1 |
| 12 | 01.6368.0.000 | Screw | 1 |
| 13 | 01.6834.0.000 | Pin | 2 |
| 14 | 10.1024.0.002 | Washer (Std.) .0779"-.0782" | 2 |
| | 10.1024.0.001 | Washer (O/S.) .0782"-.0785" | |
| | 10.1024.0.003 | Washer (O/S.) .0776"-.0779" | |
| 15 | 14.1025.1.000 | Needle Bar Button | 2 |
| 16 | 01.2193.0.000 | Screw | 1 |
| 17 | 02.0501.0.111 | Needle | 1 |
| 18 | 10.1029.1.000 | Tension Disc | 2 |
| 19 | 01.5167.0.000 | Spring | 1 |
| 20 | 10.1030.0.017 | Screw | 1 |
| 21 | 01.1889.0.000 | Screw | 2 |
| 22 | 10.1027.1.050 | Clamp Nut Kit | 2 |
| 23 | 01.2419.0.000 | Screw | (2) |
| 24 | 14.9005.0.050 | Assembly | 2 |
| 25 | 10.1045.2.000 | Gimbal | (2) |
| 26 | 01.7015.0.000 | Bushing | (2) |
| 27 | 14.4023.0.000 | Adjustable Collar | 1 |
| 28 | 01.2419.0.001 | Screw | (1) |
| 29 | 10.1033.1.000 | Gimbal | 1 |
| 30 | 10.1023.3.000 | Needle Bar Gear | 1 |
| 31 | 14.1028.0.000 | Needle Bar | 1 |
| 32 | 01.4081.0.005 | Shim (.005") | 1 |
| | 01.4081.0.006 | Shim (.006") | |
| | 01.4081.0.008 | Shim (.008") | |
| | 01.4081.0.009 | Shim (.009") | |
| | 01.4081.0.010 | Shim (.010") | |
| | 01.4081.0.011 | Shim (.011") | |
| 01.4081.0.012 | Shim (.012") | | |
| 33 | 01.2008.0.000 | Screw | 2 |
| 34 | 10.1022.0.000 | Guide | 2 |
| 35 | 01.5003.0.000 | Spring | 2 |
| 36 | 10.1021.2.000 | Retainer Spring | 2 |
| 37 | 14.1250.0.000 | Needle Bar Gear Bracket | 2 |
| 38 | 01.1983.0.000 | Screw | 2 |
| 39 | 14.1070.0.000 | Block | 1 |
| 40 | 01.6404.0.000 | Retainer | 2 |
| 41 | 10.1193.2.001 | Guard | 1 |

Released 09/2004

E-mail: service@amfreece.cz; parts@amfreece.cz ; website: www.amfreece.com

Phones: +420 582 309 146 (Service), +420 582 309 286 (Spare Parts) ; Fax: +420 582 360 606

THREAD HANDLING



Released 09/2004

E-mail: service@amfreece.cz; parts@amfreece.cz ; website: www.amfreece.com

Phones: +420 582 309 146 (Service), +420 582 309 286 (Spare Parts) ; Fax: +420 582 360 606

THERAD HANDLING

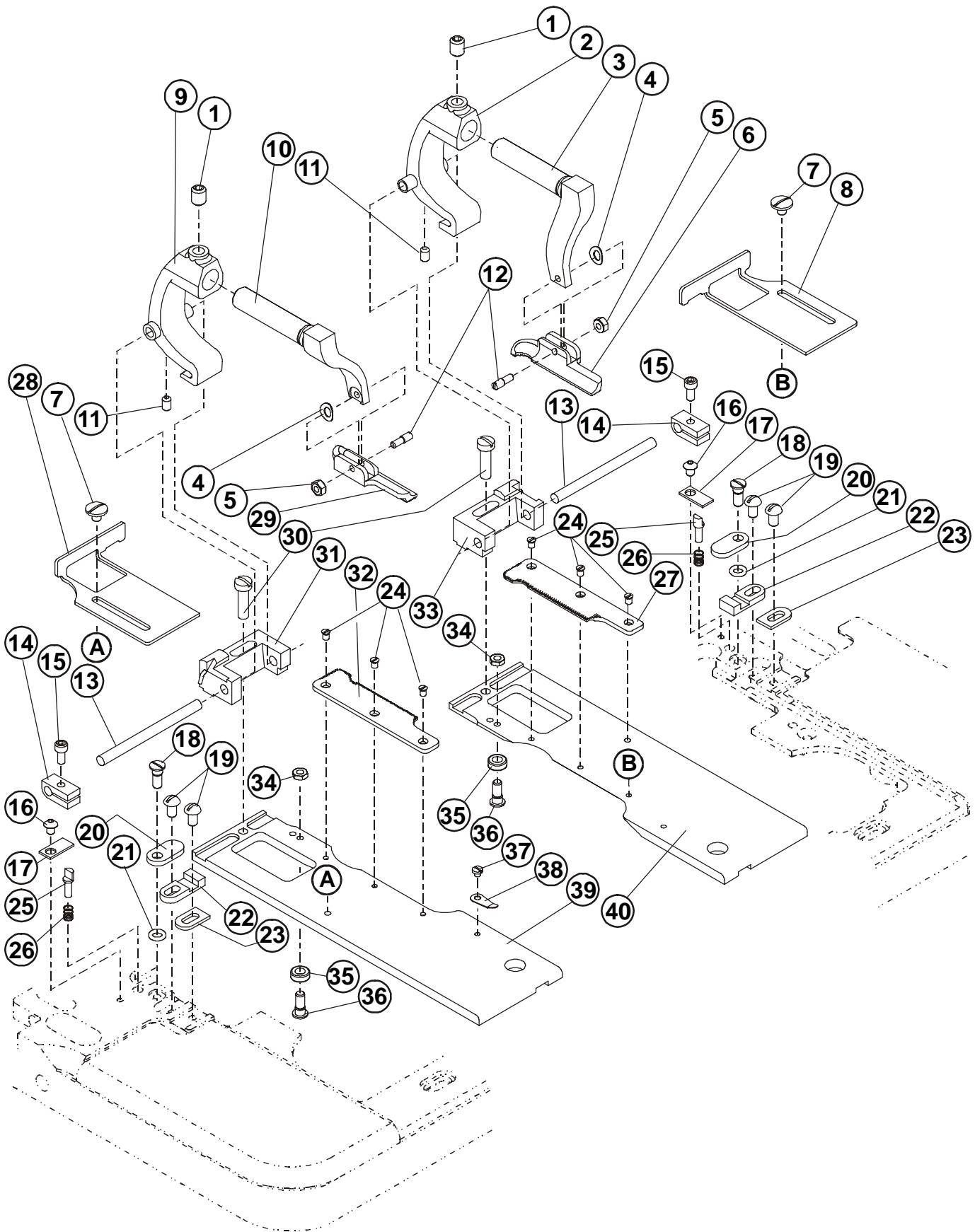
| DET | PART NUMBER | DESCRIPTION | QTY. |
|-----|---------------|-------------------------|------|
| 01 | 01.3025.0.000 | Nut | 1 |
| 02 | 10.1178.0.000 | Release Lever | 1 |
| 03 | 01.2509.0.000 | Screw | 1 |
| 04 | 01.1112.0.000 | Screw | 2 |
| 05 | 10.1177.0.000 | Lever | 1 |
| 06 | 10.1083.0.000 | Link | 1 |
| 07 | 10.1158.1.050 | Kit - Arm*Tension | 1 |
| 08 | 01.1393.0.001 | Screw | (1) |
| 09 | 10.1158.1.000 | Tension Arm | (1) |
| 10 | 01.4074.0.000 | Spacer | (1) |
| 11 | 01.1113.0.000 | Stud | (1) |
| 12 | 10.1077.0.000 | Felt | 1 |
| 13 | 10.1078.1.000 | Tension Roller Assembly | 1 |
| 14 | 10.1004.0.000 | Felt Washer | 1 |
| 15 | 10.1003.0.000 | Washer | 1 |
| 16 | 01.5603.0.000 | Spring | 1 |
| 17 | 10.4030.0.000 | Nut | 1 |
| 18 | 01.2039.0.000 | Screw | 2 |
| 19 | 10.1159.1.000 | Tension Bracket | 1 |
| 20 | 01.1114.0.000 | Screw | 1 |
| 21 | 01.5163.0.000 | Spring | 1 |
| 22 | 10.1010.0.000 | Release Rod | 1 |
| 23 | 01.5002.0.000 | Spring | 1 |
| 24 | 10.1009.0.000 | Bushing | 1 |
| 25 | 10.1008.0.000 | Guide | 1 |
| 26 | 10.1160.0.051 | Line* Cam Assembly | 1 |
| 27 | 10.1160.0.000 | Cam | (1) |
| 28 | 01.2362.0.000 | Screw | (2) |
| 29 | 01.6334.0.000 | Rod | 1 |
| 30 | 01.2247.0.000 | Screw | 1 |
| 40 | 05.0043.1.000 | Thread Smoother | 1 |
| | | | |

Released 09/2004

E-mail: service@amfreece.cz; parts@amfreece.cz ; website: www.amfreece.com

Phones: +420 582 309 146 (Service), +420 582 309 286 (Spare Parts) ; Fax: +420 582 360 606

CLAMP PLATE ASSEMBLY



Released 09/2005

E-mail: service@amfreece.cz; parts@amfreece.cz ; website: www.amfreece.com

Phones: +420 582 309 146 (Service), +420 582 309 286 (Spare Parts) ; Fax: +420 582 360 606

CLAMP PLATE ASSEMBLY

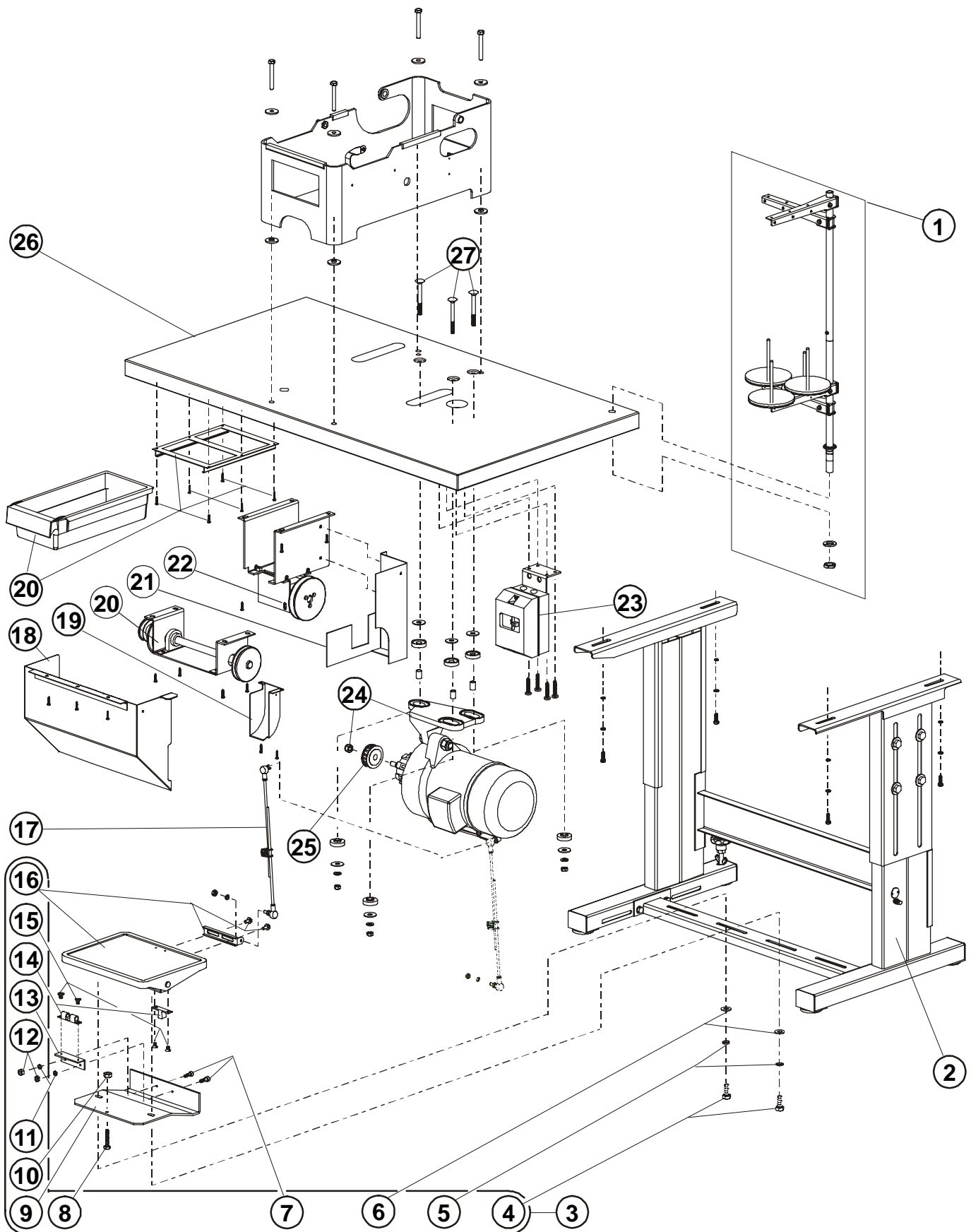
| DET | PART NUMBER | DESCRIPTION | QTY. |
|-----|---------------|------------------------|------|
| 01 | 01.1557.0.000 | Set Screw #6-32 UNC-2B | 2 |
| 02 | 14.2002.0.002 | R. H. Clamp Arm Base | 1 |
| 03 | 14.2003.0.000 | Front R. H. Clamp Arm | 1 |
| 04 | 01.4038.0.000 | Spring Washer | 2 |
| 05 | 01.3016.0.000 | Nut | 2 |
| 06 | 10.2046.1.751 | R. H. Clamp Foot | 1 |
| 07 | 01.2111.0.001 | Screw | 2 |
| 08 | 14.2059.0.000 | R. H. Cloth Gauge | 1 |
| 09 | 14.2002.0.001 | L. H. Clamp Arm Base | 1 |
| 10 | 14.2004.0.000 | Front L.H. Clamp Arm | 1 |
| 11 | 01.2557.0.001 | Set Screw | 2 |
| 12 | 01.1137.0.000 | Set Screw | 2 |
| 13 | 14.2053.0.000 | Shaft | 2 |
| 14 | 14.2212.0.000 | Spreader Lock | 2 |
| 15 | 01.2558.0.000 | Screw | 2 |
| 16 | 01.2729.0.000 | Screw | 2 |
| 17 | 14.2214.0.000 | Retaining Plate | 2 |
| 18 | 10.2051.2.000 | Shoulder Screw | 2 |
| 19 | 01.2312.0.000 | Screw | 4 |
| 20 | 10.2029.0.000 | Latch | 2 |
| 21 | 01.4426.0.000 | O-Ring | 2 |
| 22 | 10.2031.0.000 | Slide | 2 |
| 23 | 10.2032.0.000 | Stop | 2 |
| 24 | 01.2015.0.000 | Screw | 6 |
| 25 | 14.2213.0.000 | Locking Pin | 2 |
| 26 | 01.5457.0.000 | Spring | 2 |
| 27 | 10.2044.0.002 | R. H. Clamp Mat | 1 |
| 28 | 14.2060.0.000 | L.H. Cloth Gauge | 1 |
| 29 | 10.2050.1.750 | L. H. Clamp Foot | 1 |
| 30 | 01.2051.0.000 | Screw | 2 |
| 31 | 14.2008.1.000 | L.H. Block | 1 |
| 32 | 10.2048.0.002 | L. H. Clamp Mat | 1 |
| 33 | 14.2007.1.000 | R.H. Block | 1 |
| 34 | 01.3001.0.000 | Nut | 2 |
| 35 | 10.2052.0.000 | Roll | 2 |
| 36 | 10.2051.2.000 | Shoulder Screw | 2 |
| 37 | 01.2053.0.000 | Screw | 1 |
| 38 | 10.2054.0.000 | Clip | 1 |
| 39 | 14.2047.0.019 | L. H. Clamp Plate | 1 |
| 40 | 14.2043.0.019 | R.H. Clamp Plate | 1 |
| | | | |

Released 09/2005

E-mail: service@amfreece.cz; parts@amfreece.cz; website: www.amfreece.com

Phones: +420 582 309 146 (Service), +420 582 309 286 (Spare Parts); Fax: +420 582 360 606

REGULAR TABLE



Released 10/2005

E-mail: service@amfreece.cz; parts@amfreece.cz; website: www.amfreece.com

Phones: +420 582 309 146 (Service), +420 582 309 286 (Spare Parts); Fax: +420 582 360 606

REGULAR TABLE

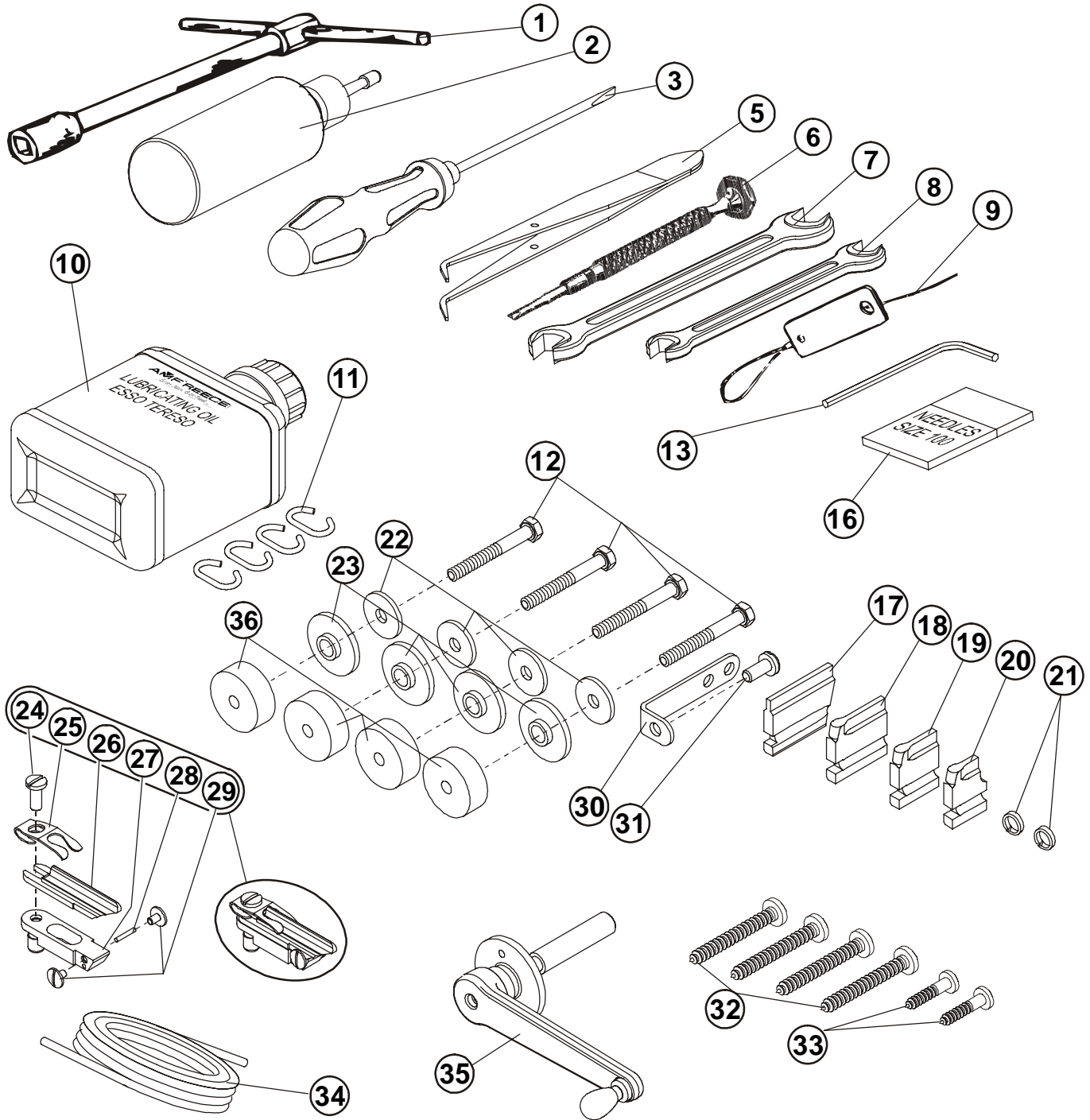
| DET | PART NUMBER | DESCRIPTION | QTY. |
|-----|---------------|-----------------------------------|------|
| 01 | 17.0003.6.156 | Thread Stand | 1 |
| 02 | 04.9000.0.123 | Frame Kit Assembly | 1 |
| 03 | 22.0218.0.000 | Footswitch Assembly | 1 |
| 04 | 08.6312.8.020 | Screw M8x20 | (2) |
| 05 | 08.6802.8.000 | Spring Washer | (2) |
| 06 | 08.6852.8.000 | Washer 8 | (2) |
| 07 | 08.6000.4.012 | Screw M4x12 | (2) |
| 08 | 08.6312.8.040 | Screw M8x12 | (1) |
| 09 | 22.0217.0.000 | Foot Pedal Holder | (1) |
| 10 | 08.6702.8.000 | Nut M8 | (1) |
| 11 | 08.6800.4.000 | Spring Washer 8 | (2) |
| 12 | 08.6700.4.000 | Nut M4 | (2) |
| 13 | 22.0216.0.000 | Latch Bracket | (1) |
| 14 | 04.9000.0.802 | Tension Latch | (1) |
| 15 | 08.6100.4.006 | Screw M4x6 | (4) |
| 16 | 04.9002.0.000 | Footswitch Assembly | (1) |
| 17 | 04.1956.1.000 | Operating Rod-Ball Joint Assembly | (1) |
| 18 | 04.9000.2.457 | Cover 2 CE | 1 |
| 19 | 17.0083.1.656 | Cover 1 CE | 1 |
| 20 | 17.0002.4.403 | Jackshaft Assembly | 1 |
| 21 | 04.9000.1.475 | Cover 3 CE | 1 |
| 22 | 17.0002.4.404 | Auxialliary Pattern | 3 |
| 23 | 12.0008.4.532 | Motor Starter 110V /60Hz/1Ph | — |
| | 12.0008.4.533 | Motor Starter 230V/50Hz/1Ph | |
| | 12.0008.4.534 | Motor Starter 230V/60Hz/ 3Ph | |
| | 12.0008.4.535 | Motor Starter 400V/50Hz/ 1Ph | |
| 24 | 17.0007.8.171 | Motor FIR 110V / 60Hz 1Ph | — |
| | 17.0007.8.172 | Motor FIR 240V / 50Hz 1Ph | |
| | 17.0007.8.173 | Motor FIR 240—400V / 50—60 Hz 3Ph | |
| 25 | 17.0055.4.414 | Pulley | 1 |
| 26 | 04.0026.2.000 | Table | 1 |
| 27 | 08.6532.8.070 | Screw M8x70 | 3 |
| | | | |

Released 10/2005

E-mail: service@amfreece.cz; parts@amfreece.cz ; website: www.amfreece.com

Phones: +420 582 309 146 (Service), +420 582 309 286 (Spare Parts) ; Fax: +420 582 360 606

STANDARD ACCESSORIES



Released 10/2005

E-mail: service@amfreece.cz; parts@amfreece.cz ; website: www.amfreece.com
Phones: +420 582 309 146 (Service), +420 582 309 286 (Spare Parts) ; Fax: +420 582 360 606

STANDARD ACCESSORIES

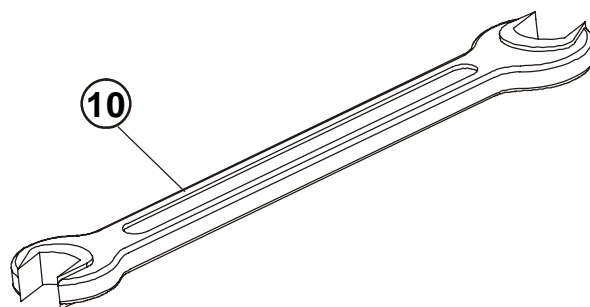
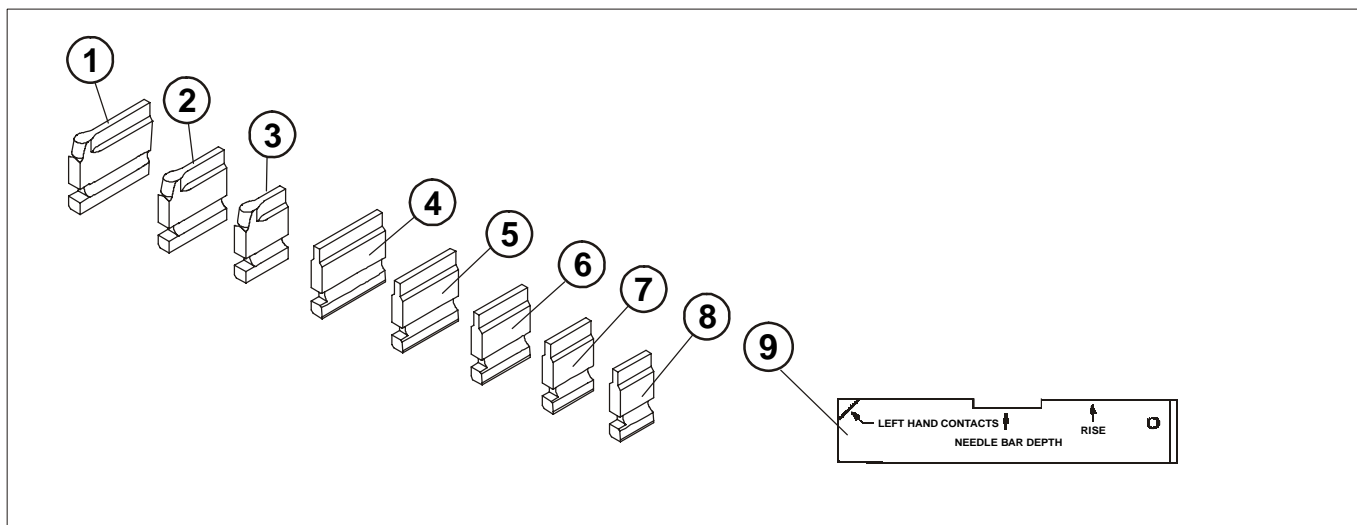
| DET | PART NUMBER | DESCRIPTION | QTY. |
|-----|---------------|-------------------------------|------|
| 01 | 03.0048.2.000 | Sq. Soket Wrench 7/16" | 1 |
| 02 | 05.1322.0.000 | Oil Can | 1 |
| 03 | 03.0024.0.187 | Screwdriver 3" Blade | 1 |
| 04 | | | |
| 05 | 12.0008.6.215 | Tweezers | 1 |
| 06 | 03.0038.0.000 | Screwdriver | 1 |
| 07 | 03.0019.0.000 | Wrench 1/4" | 1 |
| 08 | 03.0018.0.000 | Hex Wrench 5/16" | 1 |
| 09 | 03.0020.0.000 | Threading Wire | 1 |
| 10 | 05.0090.1.000 | Lubricating Oil 8 oz.68 | 1 |
| 11 | 05.0376.0.015 | Hook - Belt | 4 |
| 12 | 08.6300.8.060 | Screw | 4 |
| 13 | 03.0054.0.000 | Hex Wrench 3/32" | 1 |
| 14 | | | |
| 15 | | | |
| 16 | 02.0501.0.111 | Needles | 10 |
| 17 | 10.1069.0.016 | Cutting Steel 1 1/4" | 1 |
| 18 | 10.1069.0.005 | Cutting Steel 1" | 1 |
| 19 | 10.1069.0.003 | Cutting Steel 3/4" | 1 |
| 20 | 10.1069.0.001 | Cutting Steel 1/2" | 1 |
| 21 | 01.4406.0.000 | Washer | 2 |
| 22 | 17.0019.0.441 | Washer | 4 |
| 23 | 17.0095.1.272 | Rubber Washer | 4 |
| 24 | 01.2039.0.000 | Screw | 1 |
| 25 | 10.3074.0.011 | Cloth Lifting Spring*CB | 1 |
| 26 | 10.3072.0.023 | Knife | 1 |
| 27 | 10.3071.1.250 | Knife Pad | 1 |
| 28 | 01.6036.0.000 | Pin | 1 |
| 29 | 01.2102.0.000 | Screw | 2 |
| 30 | 05.0043.1.000 | Thread Guide | 1 |
| 31 | 01.2247.0.000 | Screw | 1 |
| 32 | 01.2616.0.000 | Screw | 4 |
| 33 | 01.2810.0.000 | Screw | 1 |
| 34 | 04.0561.0.312 | Belt Ø 8 mm | 6m |
| 35 | See Page 3-6 | Crank Handle & Floating Shaft | — |
| 36 | 19.0095.1.405 | Rubber Washer | 4 |
| | | | |

Released 10/2005

E-mail: service@amfreece.cz; parts@amfreece.cz ; website: www.amfreece.com

Phones: +420 582 309 146 (Service), +420 582 309 286 (Spare Parts) ; Fax: +420 582 360 606

OPTIONAL ACCESSORIES



| DET | PART NUMBER | DESCRIPTION | QTY. |
|-----|---------------|----------------------|------|
| 1 | 10.1069.0.006 | Cutting Steel 1 1/8" | — |
| 2 | 10.1069.0.004 | Cutting Steel 7/8" | — |
| 3 | 10.1069.0.002 | Cutting Steel 5/8" | — |
| 4 | 10.1069.0.013 | Cutting Steel 7/8" | — |
| 5 | 10.1069.0.012 | Cutting Steel 3/4" | — |
| 6 | 10.1069.0.011 | Cutting Steel 5/8" | — |
| 7 | 10.1069.0.010 | Cutting Steel 1/2" | — |
| 8 | 10.1069.0.014 | Cutting Steel 1" | — |
| 9 | 03.0279.0.000 | Gauge | — |
| 10 | 12.0008.6.109 | Fork Spanner 8-10 | 1 |

Released 10/2005

E-mail: service@amfreece.cz; parts@amfreece.cz ; website: www.amfreece.com

Phones: +420 582 309 146 (Service), +420 582 309 286 (Spare Parts) ; Fax: +420 582 360 606

INDEX

| PART NUMBER | PAGE | DET | QTY | PART NUMBER | PAGE | DET | QTY | PART NUMBER | PAGE | DET | QTY |
|----------------------|------|-----|-------|----------------------|------|-----|-----|----------------------|------|-----|-------|
| 01.1006.0.000 | | | | 01.2016.0.000 | 3-15 | 40 | (1) | 01.2101.0.000 | 3-3 | 17 | (1) |
| 01.1006.0.000 | 3-17 | 54 | (2) | 01.2017.0.000 | 3-37 | 11 | 1 | 01.2102.0.000 | 3-29 | 26 | 2 |
| 01.1020.1.000 | 3-25 | 19 | 2 | 01.2019.0.000 | 3-39 | 17 | (3) | 01.2102.0.000 | 3-51 | 29 | 2 |
| 01.1021.0.000 | 3-25 | 08 | 4 | 01.2020.0.000 | 3-37 | 28 | (1) | 01.2111.0.001 | 3-47 | 7 | 2 |
| 01.1028.0.000 | 3-33 | 16 | 1 | 01.2022.0.000 | 3-33 | 24 | (2) | 01.2128.0.000 | 3-7 | 37 | 2 |
| 01.1076.0.000 | 3-25 | 74 | 1 | 01.2024.0.000 | 3-17 | 50 | (1) | 01.2130.0.000 | 3-33 | 4 | 2 |
| 01.1095.0.000 | 3-35 | 24 | 1 | 01.2031.0.000 | 3-9 | 16 | 2 | 01.2144.0.000 | 3-23 | 24 | 1 |
| 01.1100.0.000 | 3-11 | 35 | 1 | 01.2032.1.000 | 3-11 | 15 | 1 | 01.2146.0.000 | 3-33 | 13 | 1 |
| 01.1112.0.000 | 3-45 | 4 | 2 | 01.2033.0.000 | 3-9 | 11 | 1 | 01.2171.0.000 | 3-23 | 29 | (1) |
| 01.1113.0.000 | 3-45 | 11 | (1) | 01.2035.0.000 | 3-7 | 19 | (1) | 01.2175.0.000 | 3-23 | 8 | 2 |
| 01.1114.0.000 | 3-45 | 20 | 1 | 01.2037.0.000 | 3-7 | 25 | 4 | 01.2193.0.000 | 3-43 | 16 | 1 |
| 01.1130.0.000 | 3-29 | 31 | (1) | 01.2038.0.000 | 3-29 | 28 | 1 | 01.2241.0.002 | 3-25 | 65 | 2 |
| 01.1132.0.000 | 3-33 | 21 | 1 | 01.2039.0.000 | 3-29 | 20 | 1 | 01.2241.0.103 | 3-3 | 22 | (4)+2 |
| 01.1137.0.000 | 3-47 | 12 | 2 | 01.2039.0.000 | 3-29 | 29 | 2 | 01.2241.0.103 | 3-3 | 27 | (2) |
| 01.1147.0.002 | 3-11 | 33 | 1 | 01.2039.0.000 | 3-45 | 18 | 2 | 01.2247.0.000 | 3-45 | 30 | 1 |
| 01.1147.0.003 | 3-3 | 65 | 1 | 01.2039.0.000 | 3-51 | 24 | 1 | 01.2247.0.000 | 3-51 | 31 | 1 |
| 01.1151.0.000 | 3-21 | 4 | 1 | 01.2041.0.000 | 3-11 | 31 | 1 | 01.2247.0.001 | 3-3 | 8 | (3) |
| 01.1194.0.019 | 3-3 | 4 | (1) | 01.2041.0.000 | 3-21 | 44 | 1 | 01.2247.0.001 | 3-3 | 57 | (3) |
| 01.1238.0.000 | 3-25 | 28 | (2) | 01.2041.0.000 | 3-31 | 23 | 2 | 01.2247.0.003 | 3-3 | 7 | (3)+2 |
| 01.1257.0.000 | 3-29 | 7 | 1 | 01.2041.0.000 | 3-33 | 14 | 1 | 01.2247.0.003 | 3-3 | 56 | (3) |
| 01.1393.0.001 | 3-45 | 8 | (1) | 01.2042.0.000 | 3-35 | 26 | 1 | 01.2248.0.000 | 3-43 | 10 | 1 |
| 01.1432.0.000 | 3-15 | 31 | 2 | 01.2043.0.000 | 3-15 | 27 | 2 | 01.2312.0.000 | 3-47 | 19 | 4 |
| 01.1447.0.000 | 3-15 | 18 | 1 | 01.2045.0.000 | 3-25 | 87 | 1 | 01.2318.0.000 | 3-17 | 16 | (1) |
| 01.1457.0.000 | 3-25 | 59 | 1 | 01.2046.0.000 | 3-25 | 51 | 1 | 01.2321.0.000 | 3-35 | 15 | 1 |
| 01.1557.0.000 | 3-47 | 1 | 2 | 01.2046.0.000 | 3-25 | 52 | 1 | 01.2324.0.000 | 3-13 | 26 | 1 |
| 01.1594.0.000 | 3-15 | 43 | 1 | 01.2050.0.000 | 3-3 | 39 | (1) | 01.2340.0.000 | 3-3 | 46 | 2 |
| 01.1601.0.001 | 3-25 | 67 | 2 | 01.2051.0.000 | 3-47 | 30 | 2 | 01.2344.0.000 | 3-25 | 60 | 2 |
| 01.1601.0.007 | 3-25 | 69 | 2 | 01.2053.0.000 | 3-47 | 37 | 1 | 01.2344.0.000 | 3-33 | 1 | 1 |
| 01.1624.0.002 | 3-37 | 17 | ((1)) | 01.2056.0.000 | 3-17 | 65 | 1 | 01.2347.0.000 | 3-9 | 20 | (2) |
| 01.1649.0.004 | 3-25 | 79 | 1 | 01.2059.0.000 | 3-17 | 31 | (1) | 01.2361.0.000 | 3-17 | 13 | (1) |
| 01.1661.0.001 | 3-23 | 9 | 4 | 01.2063.0.000 | 3-21 | 9 | 1 | 01.2362.0.000 | 3-45 | 28 | (2) |
| 01.1661.0.001 | 3-43 | 2 | 4 | 01.2066.0.000 | 3-31 | 1 | 1 | 01.2386.0.000 | 3-9 | 1 | 2 |
| 01.1686.0.401 | 3-25 | 22 | ((4)) | 01.2067.0.000 | 3-9 | 13 | 2 | 01.2386.0.000 | 3-11 | 5 | (1) |
| 01.1889.0.000 | 3-43 | 21 | 2 | | | | | 01.2388.0.000 | 3-9 | 24 | 2 |
| 01.1969.0.001 | 3-35 | 1 | 1 | 01.2071.0.000 | | | | 01.2390.0.000 | 3-33 | 37 | 2 |
| 01.1975.0.000 | 3-39 | 19 | (1) | 01.2071.0.000 | 3-11 | 27 | 1 | | | | |
| 01.1983.0.000 | 3-43 | 38 | 2 | 01.2073.0.000 | 3-17 | 10 | (2) | 01.2412.0.000 | | | |
| | | | | 01.2073.0.000 | 3-17 | 47 | (3) | 01.2412.0.000 | 3-13 | 2 | 2 |
| 01.2001.0.000 | | | | 01.2075.0.000 | 3-7 | 26 | 4 | 01.2412.0.000 | 3-25 | 40 | ((1)) |
| 01.2001.0.000 | 3-17 | 28 | (4) | 01.2075.0.000 | 3-43 | 8 | 4 | 01.2412.0.000 | 3-35 | 2 | 1 |
| 01.2002.0.000 | 3-7 | 20 | 2 | 01.2075.0.001 | 3-31 | 24 | 2 | 01.2413.0.000 | 3-41 | 2 | 2 |
| 01.2004.0.000 | 3-11 | 20 | 1 | 01.2077.0.000 | 3-23 | 32 | 1 | 01.2419.0.000 | 3-43 | 23 | (2) |
| 01.2006.0.000 | 3-15 | 12 | 1 | 01.2078.0.000 | 3-3 | 20 | 1 | 01.2419.0.001 | 3-21 | 35 | ((1)) |
| 01.2008.0.000 | 3-7 | 30 | 4 | 01.2079.0.000 | 3-15 | 46 | 2 | 01.2419.0.001 | 3-43 | 28 | (1) |
| 01.2008.0.000 | 3-43 | 33 | 2 | 01.2081.0.000 | 3-17 | 42 | (1) | 01.2482.0.000 | 3-25 | 44 | (2) |
| 01.2011.0.000 | 3-41 | 17 | 1 | 01.2081.0.000 | 3-17 | 59 | 1 | 01.2493.0.000 | 3-7 | 38 | (1) |
| 01.2013.0.000 | 3-29 | 12 | (3) | 01.2084.0.000 | 3-31 | 12 | 2 | 01.2509.0.000 | 3-45 | 3 | 1 |
| 01.2014.0.000 | 3-15 | 6 | (2) | 01.2085.0.000 | 3-13 | 18 | 2 | 01.2539.0.000 | 3-25 | 27 | (1) |
| 01.2015.0.000 | 3-47 | 24 | 6 | 01.2088.0.000 | 3-15 | 10 | 2 | 01.2539.0.001 | 3-25 | 24 | (1) |
| 01.2016.0.000 | 3-13 | 13 | 1 | 01.2093.0.000 | 3-41 | 28 | 1 | 01.2543.0.000 | 3-33 | 9 | 1 |

Revised 10/2005

e-mail: service@amfreece.cz; parts@amfreece.cz; website: www.amfreece.com

Phones: +420 582 309 146 (Service), +420 582 309 286 (Spare Parts); Fax: +420 582 360 606

INDEX

| PART NUMBER | PAGE | DET | QTY | PART NUMBER | PAGE | DET | QTY | PART NUMBER | PAGE | DET | QTY |
|----------------------|------|-----|-------|----------------------|------|-----|-------|----------------------|------|-----|-------|
| 01.2547.1.441 | 3-3 | 62 | 4 | 01.3025.0.000 | 3-21 | 26 | (1) | 01.4063.0.000 | 3-31 | 10 | 1 |
| 01.2557.0.001 | 3-47 | 11 | 2 | 01.3025.0.000 | 3-45 | 1 | 1 | 01.4065.0.000 | 3-25 | 55 | 1 |
| 01.2558.0.000 | 3-47 | 15 | 2 | 01.3040.0.000 | 3-3 | 16 | (1) | 01.4067.0.000 | 3-25 | 02 | 2 |
| 01.2616.0.000 | 3-51 | 32 | 4 | 01.3040.0.000 | 3-3 | 43 | (1) | 01.4074.0.000 | 3-45 | 10 | (1) |
| 01.2667.0.000 | 3-17 | 17 | (1) | 01.3042.0.000 | 3-33 | 19 | 2 | | | | |
| 01.2729.0.000 | 3-47 | 16 | 2 | 01.3059.0.000 | 3-9 | 6 | 1 | 01.4081.0.005 | | | |
| 01.2810.0.000 | 3-51 | 33 | 1 | | | | | 01.4081.0.005 | 3-17 | 71 | 0 |
| 01.2888.0.402 | 3-3 | 35 | (1) | 01.3400.0.000 | | | | 01.4081.0.005 | 3-43 | 32 | 1 |
| 01.2981.0.001 | 3-25 | 90 | 2 | 01.3400.0.000 | 3-21 | 12 | 1 | 01.4081.0.006 | 3-17 | 71 | 0 |
| 01.3001.0.000 | | | | 01.3401.0.000 | 3-3 | 25 | (2) | 01.4081.0.006 | 3-43 | 32 | 1 |
| 01.3001.0.000 | 3-3 | 33 | (2) | 01.3402.0.000 | 3-3 | 11 | (3) | 01.4081.0.008 | 3-17 | 71 | 0 |
| 01.3001.0.000 | 3-17 | 55 | 1 | 01.3402.0.000 | 3-3 | 52 | (6) | 01.4081.0.008 | 3-43 | 32 | 1 |
| 01.3001.0.000 | 3-25 | 43 | (2) | 01.3404.0.000 | 3-25 | 30 | (2) | 01.4081.0.009 | 3-17 | 71 | 1 |
| 01.3001.0.000 | 3-29 | 9 | (2) | 01.3404.0.000 | 3-25 | 33 | (2) | 01.4081.0.009 | 3-43 | 32 | 1 |
| 01.3001.0.000 | 3-35 | 5 | 2 | 01.3414.0.000 | 3-25 | 75 | 1 | 01.4081.0.010 | 3-17 | 71 | 0 |
| 01.3001.0.000 | 3-47 | 34 | 2 | 01.3415.0.000 | 3-25 | 80 | 1 | 01.4081.0.010 | 3-43 | 32 | 1 |
| 01.3005.0.000 | 3-9 | 9 | 1 | 01.3436.0.000 | 3-37 | 22 | (1) | 01.4081.0.011 | 3-17 | 71 | 0 |
| 01.3005.0.000 | 3-17 | 45 | (1) | 01.4001.0.000 | | | | 01.4081.0.011 | 3-43 | 32 | 1 |
| 01.3005.0.000 | 3-21 | 3 | 1 | 01.4001.0.000 | 3-29 | 8 | (1) | 01.4081.0.012 | 3-17 | 71 | 0 |
| 01.3005.0.000 | 3-23 | 33 | 1 | 01.4002.0.000 | 3-37 | 5 | (1) | 01.4081.0.012 | 3-43 | 32 | 1 |
| 01.3005.0.000 | 3-25 | 54 | 1 | 01.4003.0.000 | 3-29 | 32 | (1) | 01.4121.0.000 | 3-25 | 29 | (4) |
| 01.3005.0.000 | 3-31 | 17 | 1 | 01.4003.0.000 | 3-31 | 22 | 2 | 01.4154.0.000 | 3-15 | 44 | 1 |
| 01.3005.0.000 | 3-33 | 2 | 2 | 01.4004.0.000 | 3-37 | 18 | ((1)) | 01.4406.0.000 | 3-3 | 24 | (4)+2 |
| 01.3005.0.000 | 3-35 | 10 | 1 | 01.4004.0.000 | 3-37 | 27 | (1) | 01.4406.0.000 | 3-51 | 21 | 1 |
| 01.3005.0.000 | 3-37 | 2 | (1) | 01.4005.0.000 | 3-13 | 22 | 1 | 01.4407.0.000 | 3-3 | 6 | (3)+2 |
| 01.3005.0.000 | 3-41 | 12 | 1 | 01.4005.0.000 | 3-15 | 37 | 1 | 01.4407.0.000 | 3-3 | 51 | (6) |
| 01.3006.0.000 | 3-29 | 17 | (2) | 01.4005.0.000 | 3-25 | 46 | (1) | 01.4407.0.000 | 3-35 | 3 | 1 |
| 01.3007.0.000 | 3-9 | 5 | 6 | 01.4007.0.000 | 3-7 | 16 | 2 | 01.4411.0.000 | 3-3 | 26 | (2) |
| 01.3007.0.000 | 3-11 | 12 | 1 | 01.4009.0.000 | 3-7 | 14 | 1 | 01.4412.0.000 | 3-7 | 35 | 2 |
| 01.3007.0.000 | 3-25 | 42 | (3) | 01.4010.0.000 | 3-21 | 32 | (1) | 01.4426.0.000 | 3-47 | 21 | 2 |
| 01.3007.0.000 | 3-39 | 11 | 1 | 01.4011.0.000 | 3-35 | 11 | 1 | 01.4445.0.000 | 3-25 | 82 | 2 |
| 01.3010.0.000 | 3-21 | 28 | 1 | 01.4012.0.000 | 3-17 | 23 | (1) | 01.4472.0.000 | 3-3 | 5 | (3)+2 |
| 01.3010.0.000 | 3-29 | 16 | ((1)) | 01.4013.0.000 | 3-17 | 51 | (2) | 01.4472.0.000 | 3-3 | 55 | (6) |
| 01.3011.0.000 | 3-31 | 2 | 1 | 01.4015.0.000 | 3-17 | 15 | (1) | 01.4472.0.000 | 3-15 | 29 | 2 |
| 01.3013.0.000 | 3-13 | 21 | 1 | 01.4018.0.000 | 3-9 | 2 | 4 | 01.4503.0.000 | 3-33 | 18 | 2 |
| 01.3013.0.000 | 3-15 | 38 | (1) | 01.4019.0.000 | 3-3 | 40 | (1) | 01.4522.0.000 | 3-11 | 32 | 1 |
| 01.3013.0.000 | 3-25 | 45 | (1) | 01.4019.0.000 | 3-33 | 25 | (2) | 01.4522.0.000 | 3-13 | 14 | 1 |
| 01.3014.0.000 | 3-3 | 37 | (1) | 01.4029.0.000 | 3-25 | 66 | 2 | 01.4522.0.000 | 3-15 | 39 | 1 |
| 01.3015.0.000 | 3-9 | 14 | 2 | 01.4029.0.000 | 3-29 | 34 | (1) | 01.4559.0.000 | 3-25 | 34 | (2) |
| 01.3016.0.000 | 3-15 | 41 | 4 | 01.4034.0.003 | 3-37 | 23 | (1) | 01.4572.0.000 | 3-7 | 36 | 2 |
| 01.3016.0.000 | 3-23 | 17 | (1) | 01.4038.0.000 | 3-47 | 4 | 2 | 01.4672.0.002 | 3-3 | 19 | 1 |
| 01.3016.0.000 | 3-25 | 86 | 1 | 01.4042.0.000 | 3-25 | 31 | (4) | 01.4701.0.000 | 3-15 | 19 | 1 |
| 01.3016.0.000 | 3-47 | 5 | 2 | 01.4042.0.000 | 3-33 | 3 | 1 | 01.4751.0.000 | 3-21 | 19 | (2) |
| 01.3018.0.000 | 3-17 | 72 | 1 | 01.4046.0.000 | 3-15 | 11 | 2 | 01.5002.0.000 | | | |
| 01.3019.0.000 | 3-33 | 20 | 1 | 01.4052.0.000 | 3-33 | 36 | 2 | 01.5002.0.000 | 3-45 | 23 | 1 |
| 01.3020.0.000 | 3-21 | 39 | (2) | 01.4061.0.000 | 3-9 | 21 | (2) | 01.5003.0.000 | 3-43 | 35 | 2 |
| 01.3020.0.000 | 3-31 | 15 | 1 | 01.4063.0.000 | 3-11 | 2 | 1 | 01.5005.0.001 | 3-21 | 13 | 1 |
| 01.3020.0.001 | 3-41 | 15 | 1 | 01.4063.0.000 | 3-13 | 17 | 2 | 01.5006.0.001 | 3-29 | 36 | 1 |
| 01.3025.0.000 | 3-17 | 12 | (1) | 01.4063.0.000 | 3-25 | 68 | 1 | 01.5007.0.000 | 3-37 | 3 | (1) |

Revised 10/2005

e-mail: service@amfreece.cz; parts@amfreece.cz; website: www.amfreece.com

INDEX

| PART NUMBER | PAGE | DET | QTY | PART NUMBER | PAGE | DET | QTY | PART NUMBER | PAGE | DET | QTY |
|----------------------|------|-----|-------|----------------------|------|-----|-------|----------------------|------|-----|-------|
| 01.5009.0.000 | 3-39 | 15 | (1) | 01.6023.0.000 | 3-7 | 22 | (1) | 02.0501.0.111 | 3-51 | 16 | 10 |
| 01.5010.0.000 | 3-37 | 21 | (1) | 01.6026.0.000 | 3-29 | 15 | ((1)) | | | | |
| 01.5011.0.000 | 3-37 | 25 | (1) | 01.6030.0.000 | 3-35 | 22 | (1) | 03.0018.0.000 | | | |
| 01.5013.0.000 | 3-25 | 64 | 1 | 01.6031.0.000 | 3-15 | 14 | 1 | 03.0018.0.000 | 3-51 | 8 | 1 |
| 01.5014.0.000 | 3-35 | 19 | 1 | 01.6036.0.000 | 3-29 | 25 | 1 | 03.0019.0.000 | 3-51 | 7 | 1 |
| 01.5015.0.000 | 3-25 | 73 | 1 | 01.6036.0.000 | 3-51 | 28 | 1 | 03.0020.0.000 | 3-51 | 9 | 1 |
| 01.5017.0.000 | 3-7 | 4 | (1) | 01.6074.0.000 | 3-25 | 10 | (2) | 03.0024.0.187 | 3-51 | 3 | 1 |
| 01.5018.0.000 | 3-7 | 33 | 4 | 01.6075.0.000 | 3-25 | 06 | (2) | 03.0038.0.000 | 3-51 | 6 | 1 |
| 01.5019.0.000 | 3-11 | 28 | 1 | 01.6135.0.000 | 3-11 | 6 | (1) | 03.0048.2.000 | 3-51 | 1 | 1 |
| 01.5020.0.000 | 3-11 | 18 | 1 | 01.6166.0.000 | 3-35 | 17 | (1) | 03.0054.0.000 | 3-51 | 13 | 1 |
| 01.5023.0.000 | 3-25 | 14 | 1 | 01.6280.0.000 | 3-23 | 4 | (2) | 03.0279.0.000 | 3-52 | 9 | — |
| 01.5026.0.000 | 3-17 | 43 | ((2)) | 01.6334.0.000 | 3-45 | 29 | 1 | 03.6000.0.216 | 3-25 | 32 | (2) |
| 01.5027.0.000 | 3-17 | 57 | 1 | 01.6345.0.000 | 3-9 | 8 | 1 | | | | |
| 01.5028.0.000 | 3-17 | 63 | 1 | 01.6350.1.000 | 3-37 | 20 | ((1)) | 04.0026.2.000 | | | |
| 01.5041.0.000 | 3-17 | 39 | (1) | 01.6368.0.000 | 3-23 | 25 | 1 | 04.0026.2.000 | 3-49 | 26 | 1 |
| 01.5048.0.000 | 3-11 | 39 | 0 | 01.6368.0.000 | 3-43 | 12 | 1 | 04.0561.0.312 | 3-51 | 34 | 6m |
| 01.5054.0.000 | 3-15 | 3 | 2 | 01.6384.0.000 | 3-39 | 27 | (1) | 04.1956.1.000 | 3-49 | 17 | (1) |
| 01.5055.0.000 | 3-11 | 22 | 1 | 01.6404.0.000 | 3-43 | 40 | 2 | 04.9000.0.123 | 3-49 | 2 | 1 |
| 01.5061.0.000 | 3-29 | 11 | (1) | 01.6422.0.005 | 3-7 | 2 | (1) | 04.9000.0.802 | 3-49 | 14 | (1) |
| 01.5062.0.000 | 3-3 | 12 | 1 | 01.6428.0.000 | 3-33 | 6 | 2 | 04.9000.1.475 | 3-49 | 21 | 1 |
| 01.5075.0.000 | 3-35 | 7 | 1 | | | | | 04.9000.2.457 | 3-49 | 18 | 1 |
| 01.5088.0.000 | 3-31 | 4 | 1 | 01.6528.0.000 | | | | 04.9002.0.000 | 3-49 | 16 | (1) |
| 01.5123.0.000 | 3-3 | 50 | (1) | 01.6528.0.000 | 3-23 | 27 | 1 | | | | |
| 01.5134.0.000 | 3-23 | 14 | 1 | 01.6555.0.000 | 3-25 | 05 | (2) | 05.0043.1.000 | | | |
| 01.5163.0.000 | 3-45 | 21 | 1 | 01.6560.0.000 | 3-29 | 4 | ((1)) | 05.0043.1.000 | 3-45 | 40 | 1 |
| 01.5167.0.000 | 3-43 | 19 | 1 | 01.6612.0.000 | 3-23 | 7 | (1) | 05.0043.1.000 | 3-51 | 30 | 1 |
| 01.5172.0.000 | 3-13 | 4 | 1 | 01.6638.0.000 | 3-37 | 8 | ((1)) | 05.0090.1.000 | 3-51 | 10 | 1 |
| 01.5173.0.000 | 3-29 | 33 | (1) | 01.6833.0.002 | 3-31 | 21 | (1) | 05.0144.0.000 | 3-25 | 77 | 1 |
| 01.5433.0.000 | 3-23 | 28 | 1 | 01.6834.0.000 | 3-43 | 13 | 2 | 05.0376.0.015 | 3-51 | 11 | 4 |
| 01.5447.0.000 | 3-33 | 5 | 1 | 01.6837.0.000 | 3-29 | 5 | ((1)) | 05.0531.0.001 | 3-41 | 26 | 1 |
| 01.5448.0.000 | 3-33 | 10 | 1 | 01.6839.0.001 | 3-25 | 12 | 2 | 05.1322.0.000 | 3-51 | 2 | 1 |
| 01.5450.0.000 | 3-39 | 9 | 1 | 01.6982.0.001 | 3-15 | 2 | 2 | 05.1368.0.000 | 3-17 | 46 | (1) |
| 01.5457.0.000 | 3-47 | 26 | 2 | 01.6982.0.002 | 3-11 | 37 | 0 | 05.1385.0.000 | 3-3 | 31 | (1) |
| 01.5473.0.000 | 3-11 | 7 | 1 | 01.7002.1.000 | 3-37 | 19 | ((1)) | | | | |
| 01.5475.0.000 | 3-25 | 58 | 1 | 01.7004.0.000 | 3-13 | 25 | 1 | 07.0400.0.000 | | | |
| 01.5603.0.000 | 3-45 | 16 | 1 | 01.7015.0.000 | 3-43 | 26 | (2) | 07.0400.0.000 | 3-33 | 30 | (1) |
| 01.5620.0.000 | 3-17 | 9 | (1) | 01.7022.0.000 | 3-17 | 53 | (2) | 07.0401.0.000 | 3-17 | 73 | 1 |
| 01.5683.0.000 | 3-7 | 17 | 3 | 01.7023.0.000 | 3-13 | 11 | 1 | 07.0401.0.009 | 3-17 | 33 | ((1)) |
| 01.5919.0.000 | 3-17 | 38 | (1) | 01.7038.1.000 | 3-33 | 33 | (1) | | | | |
| | | | | 01.7043.0.000 | 3-13 | 10 | 1 | 08.6000.4.012 | | | |
| 01.6004.0.000 | | | | 01.7309.0.901 | 3-21 | 41 | (2) | 08.6000.4.012 | 3-49 | 7 | (2) |
| 01.6004.0.000 | 3-17 | 68 | (1) | 01.7329.0.000 | 3-3 | 32 | (2) | 08.6010.4.012 | 3-39 | 5 | (2) |
| 01.6005.0.000 | 3-35 | 18 | (1) | 01.7435.1.000 | 3-23 | 11 | 1 | 08.6100.4.006 | 3-49 | 15 | (4) |
| 01.6006.0.000 | 3-25 | 41 | ((1)) | 01.7464.0.000 | 3-7 | 3 | (1) | 08.6300.8.060 | 3-51 | 12 | 4 |
| 01.6010.0.000 | 3-23 | 20 | (1) | 01.7630.0.001 | 3-21 | 20 | (1) | 08.6312.8.020 | 3-49 | 4 | (2) |
| 01.6013.0.000 | 3-17 | 36 | ((1)) | 01.8002.0.000 | 3-39 | 21 | 1 | 08.6312.8.040 | 3-49 | 8 | (1) |
| 01.6014.0.000 | 3-25 | 72 | 1+(1) | 01.8401.0.001 | 3-25 | 38 | (1) | 08.6400.5.305 | 3-33 | 32 | (2) |
| 01.6014.0.000 | 3-37 | 16 | ((1)) | | | | | 08.6532.8.070 | 3-49 | 27 | 3 |
| 01.6018.0.000 | 3-17 | 37 | ((2)) | 02.0501.0.111 | | | | 08.6700.4.000 | 3-49 | 12 | (2) |
| 01.6020.0.000 | 3-31 | 20 | (1) | 02.0501.0.111 | 3-43 | 17 | 1 | 08.6702.8.000 | 3-49 | 10 | (1) |

Revised 10/2005

e-mail: service@amfreece.cz; parts@amfreece.cz; website: www.amfreece.com

Phones: +420 582 309 146 (Service), +420 582 309 286 (Spare Parts); Fax: +420 582 360 606

INDEX

| PART NUMBER | PAGE | DET | QTY | PART NUMBER | PAGE | DET | QTY | PART NUMBER | PAGE | DET | QTY |
|----------------------|------|-----|-------|----------------------|------|-----|-----|----------------------|------|-----|-------|
| 08.6800.4.000 | 3-39 | 4 | (1) | 10.1069.0.001 | 3-51 | 20 | 1 | 10.1114.1.000 | 3-35 | 8 | (1) |
| 08.6800.4.000 | 3-49 | 11 | (2) | 10.1069.0.002 | 3-52 | 3 | — | 10.1115.0.000 | 3-35 | 28 | 1 |
| 08.6802.8.000 | 3-49 | 5 | (2) | 10.1069.0.003 | 3-51 | 19 | 1 | 10.1117.0.000 | 3-35 | 13 | 1 |
| 08.6850.4.000 | 3-11 | 21 | 1 | 10.1069.0.004 | 3-52 | 2 | — | 10.1118.0.000 | 3-35 | 16 | 1 |
| 08.6852.6.000 | 3-31 | 16 | 1 | 10.1069.0.005 | 3-51 | 18 | 1 | 10.1119.0.000 | 3-35 | 20 | 1 |
| 08.6852.8.000 | 3-49 | 6 | (2) | 10.1069.0.006 | 3-52 | 1 | — | 10.1120.0.000 | 3-35 | 21 | 1 |
| 10.0625.0.000 | | | | 10.1069.0.010 | 3-52 | 7 | — | 10.1121.0.017 | 3-35 | 25 | 1 |
| 10.0625.0.000 | 3-3 | 38 | 1 | 10.1069.0.011 | 3-52 | 6 | — | 10.1122.0.010 | 3-41 | 4 | 0 |
| 10.1001.7.050 | 3-3 | 64 | 1 | 10.1069.0.012 | 3-52 | 5 | — | 10.1122.0.011 | 3-41 | 4 | 0 |
| 10.1003.0.000 | 3-45 | 15 | 1 | 10.1069.0.013 | 3-52 | 4 | — | 10.1122.0.012 | 3-41 | 4 | 0 |
| 10.1004.0.000 | 3-45 | 14 | 1 | 10.1069.0.014 | 3-52 | 8 | — | 10.1122.0.013 | 3-41 | 4 | 0 |
| 10.1008.0.000 | 3-45 | 25 | 1 | 10.1069.0.016 | 3-51 | 17 | 1 | 10.1122.0.014 | 3-41 | 4 | 0 |
| 10.1009.0.000 | 3-45 | 24 | 1 | 10.1071.1.023 | | | | 10.1122.0.015 | 3-41 | 4 | 0 |
| 10.1010.0.000 | 3-45 | 22 | 1 | 10.1071.1.023 | 3-29 | 14 | (1) | 10.1122.0.016 | 3-41 | 4 | 0 |
| 10.1014.1.000 | 3-43 | 3 | 1 | 10.1072.0.000 | 3-29 | 10 | (1) | 10.1122.0.017 | 3-35 | 23 | 1 |
| 10.1016.2.000 | 3-43 | 7 | (1) | 10.1073.1.000 | 3-29 | 13 | (1) | 10.1122.0.980 | 3-41 | 4 | 0 |
| 10.1021.2.000 | 3-43 | 36 | 2 | 10.1074.0.000 | 3-29 | 18 | (1) | 10.1122.0.997 | 3-21 | 7 | — |
| 10.1022.0.000 | 3-43 | 34 | 2 | 10.1074.0.250 | 3-29 | 37 | 1 | 10.1122.0.998 | 3-21 | 7 | 1 |
| 10.1023.3.000 | 3-43 | 30 | 1 | 10.1075.1.051 | 3-15 | 4 | 1 | 10.1122.0.998 | 3-41 | 4 | 0 |
| 10.1024.0.001 | 3-41 | 14 | 1 | 10.1076.0.000 | 3-41 | 24 | 1 | 10.1122.0.999 | 3-21 | 7 | 1 |
| 10.1024.0.001 | 3-43 | 14 | 2 | 10.1077.0.000 | 3-45 | 12 | 1 | 10.1122.0.999 | 3-41 | 4 | 0 |
| 10.1024.0.002 | 3-41 | 14 | 1 | 10.1078.1.000 | 3-45 | 13 | 1 | 10.1124.0.000 | 3-31 | 18 | 1 |
| 10.1024.0.002 | 3-43 | 14 | 2 | 10.1080.0.000 | 3-3 | 61 | 1 | 10.1125.2.000 | 3-31 | 3 | 1 |
| 10.1024.0.003 | 3-41 | 14 | 1 | 10.1081.0.000 | 3-3 | 60 | 1 | 10.1126.0.000 | 3-31 | 14 | 1 |
| 10.1024.0.003 | 3-43 | 14 | 2 | 10.1082.0.001 | 3-3 | 15 | (1) | 10.1127.3.000 | 3-31 | 19 | 1 |
| 10.1027.1.050 | 3-43 | 22 | 2 | 10.1082.0.051 | 3-3 | 14 | 1 | 10.1145.2.000 | | | |
| 10.1029.1.000 | 3-43 | 18 | 2 | 10.1083.0.000 | 3-35 | 14 | 1 | 10.1145.2.000 | 3-3 | 18 | 1 |
| 10.1030.0.017 | 3-43 | 20 | 1 | 10.1083.0.000 | 3-45 | 6 | 1 | 10.1147.0.000 | 3-41 | 11 | 2 |
| 10.1031.0.000 | 3-41 | 23 | 1 | 10.1086.0.000 | 3-37 | 4 | (1) | 10.1149.0.000 | 3-37 | 30 | 1 |
| 10.1032.0.000 | 3-43 | 1 | 1 | 10.1087.0.000 | 3-37 | 6 | (1) | 10.1151.0.000 | 3-3 | 13 | 1 |
| 10.1033.1.000 | 3-43 | 29 | 1 | 10.1088.1.050 | 3-39 | 8 | 1 | 10.1153.0.000 | 3-41 | 20 | 1 |
| 10.1034.0.000 | 3-41 | 18 | 1 | 10.1090.0.000 | 3-39 | 6 | (1) | 10.1155.2.000 | 3-39 | 3 | (1) |
| 10.1037.0.000 | 3-41 | 8 | 1 | 10.1091.0.000 | 3-39 | 22 | 1 | 10.1158.1.000 | 3-45 | 9 | (1) |
| 10.1038.2.000 | 3-41 | 9 | 1 | 10.1091.0.802 | 3-41 | 1 | (1) | 10.1158.1.050 | 3-45 | 7 | 1 |
| 10.1039.0.000 | 3-41 | 10 | 2 | 10.1091.1.801 | 3-39 | 23 | (1) | 10.1159.1.000 | 3-45 | 19 | 1 |
| 10.1040.0.000 | 3-41 | 13 | 1 | 10.1091.1.803 | 3-39 | 24 | (1) | 10.1160.0.000 | 3-45 | 27 | (1) |
| 10.1044.0.000 | 3-41 | 25 | 1 | 10.1093.2.000 | 3-39 | 20 | 1 | 10.1160.0.051 | 3-45 | 26 | 1 |
| 10.1045.2.000 | 3-43 | 25 | (2) | 10.1094.3.050 | 3-39 | 14 | (1) | 10.1163.0.000 | 3-29 | 6 | ((1)) |
| 10.1053.0.000 | 3-21 | 16 | (2) | 10.1094.3.850 | 3-39 | 18 | (1) | 10.1167.1.000 | 3-33 | 7 | 1 |
| 10.1053.0.000 | 3-31 | 5 | 1 | 10.1095.3.000 | 3-39 | 13 | (1) | 10.1168.0.000 | 3-33 | 12 | 1 |
| 10.1054.0.000 | 3-21 | 21 | 1 | 10.1097.1.000 | 3-39 | 12 | 1 | 10.1169.0.000 | 3-33 | 8 | 1 |
| 10.1055.0.000 | 3-21 | 22 | 1 | 10.1098.0.850 | 3-37 | 12 | 1 | 10.1170.0.000 | 3-33 | 35 | 1 |
| 10.1060.2.000 | 3-21 | 23 | 1 | 10.1098.2.050 | 3-37 | 13 | (1) | 10.1177.0.000 | 3-45 | 5 | 1 |
| 10.1061.1.000 | 3-21 | 27 | (1) | 10.1099.0.000 | 3-37 | 29 | (1) | 10.1178.0.000 | 3-45 | 2 | 1 |
| 10.1062.0.000 | 3-21 | 10 | 1 | 10.1100.0.000 | 3-37 | 24 | (1) | 10.1180.0.000 | 3-11 | 34 | 1 |
| 10.1066.2.000 | 3-21 | 5 | 1 | 10.1101.0.000 | 3-37 | 26 | (1) | 10.1181.0.000 | 3-11 | 36 | 1 |
| 10.1068.0.901 | 3-29 | 3 | (1) | 10.1107.0.801 | 3-33 | 27 | (1) | 10.1188.0.000 | 3-41 | 27 | 1 |
| 10.1068.1.050 | 3-29 | 2 | ((1)) | 10.1109.3.000 | 3-33 | 22 | 1 | 10.1193.2.001 | 3-43 | 41 | 1 |
| 10.1069.0.001 | 3-29 | 19 | 1 | 10.1113.0.000 | 3-35 | 12 | 1 | 10.1193.2.002 | 3-43 | 9 | 1 |

Revised 10/2005

e-mail: service@amfreece.cz; parts@amfreece.cz; website: www.amfreece.com

INDEX

| PART NUMBER | PAGE | DET | QTY | PART NUMBER | PAGE | DET | QTY | PART NUMBER | PAGE | DET | QTY |
|----------------------|------|-----|-------|----------------------|------|-----|-----|---------------|------|-----|-----|
| 10.1194.0.004 | 3-3 | 10 | (1) | 10.2036.0.000 | 3-25 | 09 | 2 | 10.3011.0.051 | 3-15 | 34 | 1 |
| 10.1194.0.007 | 3-7 | 9 | 1 | 10.2039.0.000 | 3-25 | 03 | 1 | 10.3012.0.000 | 3-15 | 24 | 1 |
| 10.1194.0.008 | 3-3 | 3 | (1) | 10.2041.0.000 | 3-25 | 07 | 2 | 10.3013.0.000 | 3-15 | 35 | (1) |
| 10.1194.0.009 | 3-3 | 23 | (1) | 10.2042.0.000 | 3-25 | 01 | 2 | 10.3016.0.000 | 3-15 | 42 | 4 |
| 10.1194.0.010 | 3-3 | 53 | (1) | 10.2044.0.002 | 3-47 | 27 | 1 | 10.3018.0.000 | 3-15 | 20 | 1 |
| 10.1194.0.013 | 3-7 | 8 | 1 | 10.2046.1.751 | 3-47 | 6 | 1 | 10.3019.1.006 | 3-13 | 15 | 1 |
| 10.1194.0.014 | 3-7 | 11 | 1 | 10.2048.0.002 | 3-47 | 32 | 1 | 10.3020.0.006 | 3-13 | 24 | 1 |
| 10.1194.0.016 | 3-7 | 10 | 1 | 10.2050.1.750 | 3-47 | 29 | 1 | 10.3026.0.000 | 3-15 | 22 | 1 |
| 10.1194.0.020 | 3-3 | 2 | (1) | 10.2051.2.000 | 3-47 | 18 | 2 | 10.3026.0.000 | 3-25 | 81 | 1 |
| 10.1194.0.023 | 3-3 | 1 | 1 | 10.2051.2.000 | 3-47 | 36 | 2 | 10.3027.0.000 | 3-9 | 15 | 1 |
| 10.1194.0.024 | 3-3 | 21 | 1 | 10.2052.0.000 | 3-47 | 35 | 2 | 10.3028.0.000 | 3-9 | 12 | 2 |
| 10.1194.0.025 | 3-3 | 49 | 1 | 10.2054.0.000 | 3-47 | 38 | 1 | 10.3029.1.000 | 3-11 | 26 | 1 |
| 10.1194.0.028 | 3-3 | 59 | (1) | 10.2061.0.000 | 3-33 | 15 | 1 | 10.3031.0.000 | 3-11 | 14 | 1 |
| 10.1194.1.005 | 3-3 | 58 | (1) | 10.2070.1.000 | 3-11 | 10 | 1 | 10.3032.1.000 | 3-11 | 25 | 1 |
| 10.1194.1.012 | 3-3 | 28 | (1) | 10.2071.0.000 | 3-11 | 11 | 1 | 10.3033.0.017 | 3-13 | 1 | 1 |
| 10.1194.2.006 | 3-3 | 54 | (1) | 10.2072.0.000 | 3-11 | 8 | 1 | 10.3034.0.258 | 3-13 | 12 | 1 |
| 10.1198.1.000 | 3-17 | 41 | (1) | 10.2073.0.000 | 3-11 | 4 | 1 | 10.3035.1.000 | 3-9 | 7 | 2 |
| | | | | 10.2074.0.000 | 3-25 | 56 | 1 | 10.3036.0.000 | 3-9 | 10 | 1 |
| | | | | 10.2075.0.000 | 3-25 | 57 | 1 | 10.3039.0.000 | 3-7 | 7 | (1) |
| 10.2001.4.250 | | | | | | | | 10.3039.1.050 | 3-7 | 1 | 1 |
| 10.2001.4.250 | 3-13 | 27 | 1 | 10.2250.1.000 | | | | 10.3040.1.000 | 3-7 | 6 | (1) |
| 10.2003.0.000 | 3-3 | 36 | 1+(1) | 10.2250.1.000 | 3-31 | 11 | 1 | 10.3042.0.000 | 3-7 | 5 | (1) |
| 10.2004.1.000 | 3-3 | 44 | 1 | 10.2251.0.001 | 3-31 | 6 | 1 | 10.3045.0.000 | 3-7 | 18 | 1 |
| 10.2005.0.000 | 3-3 | 45 | 1 | 10.2252.0.000 | 3-31 | 8 | 1 | 10.3046.0.000 | 3-7 | 39 | 1 |
| 10.2006.2.000 | 3-13 | 8 | 1 | 10.2253.0.000 | 3-31 | 9 | 1 | 10.3047.1.050 | 3-7 | 23 | 1 |
| 10.2007.0.000 | 3-13 | 9 | 1 | 10.2255.2.150 | 3-15 | 1 | 1 | 10.3049.0.000 | 3-7 | 15 | 1 |
| 10.2007.0.350 | 3-33 | 11 | 1 | 10.2255.3.200 | 3-15 | 1 | 1 | 10.3050.0.000 | 3-7 | 13 | 1 |
| 10.2008.0.000 | 3-11 | 1 | 1 | 10.2256.0.000 | 3-15 | 26 | 1 | 10.3051.0.000 | 3-7 | 12 | 1 |
| 10.2011.0.000 | 3-11 | 29 | 1 | 10.2257.0.000 | 3-13 | 6 | 1 | 10.3052.0.000 | 3-7 | 32 | 4 |
| 10.2012.0.000 | 3-11 | 9 | 1 | 10.2258.0.000 | 3-13 | 3 | 1 | 10.3053.1.000 | 3-7 | 31 | 1 |
| 10.2014.0.000 | 3-11 | 16 | 1 | 10.2259.0.000 | 3-13 | 5 | 1 | 10.3054.2.000 | 3-7 | 24 | 1 |
| 10.2015.0.000 | 3-11 | 17 | 1 | 10.2260.0.001 | 3-13 | 7 | 1 | 10.3061.0.300 | 3-9 | 23 | (2) |
| 10.2016.0.000 | 3-35 | 27 | 1 | 10.2260.0.167 | 3-13 | 7 | 1 | 10.3062.1.000 | 3-9 | 19 | (1) |
| 10.2017.0.000 | 3-3 | 63 | 1 | 10.2260.0.200 | 3-13 | 7 | 1 | 10.3064.0.830 | 3-9 | 17 | 1 |
| 10.2018.1.250 | 3-31 | 13 | 1 | 10.2260.0.217 | 3-13 | 7 | 1 | 10.3066.0.008 | 3-9 | 3 | 1 |
| 10.2019.0.000 | 3-25 | 88 | 1 | 10.2261.0.030 | 3-31 | 25 | 1 | 10.3066.0.011 | 3-9 | 4 | 3 |
| 10.2020.0.000 | 3-25 | 89 | 1 | 10.2261.0.040 | 3-31 | 25 | 1 | 10.3067.4.254 | 3-29 | 27 | 1 |
| 10.2022.0.000 | 3-25 | 84 | 1 | 10.2262.0.000 | 3-31 | 26 | 1 | 10.3070.0.250 | 3-29 | 35 | (1) |
| 10.2024.0.000 | 3-25 | 47 | (1) | 10.2263.0.000 | 3-23 | 2 | 1 | 10.3070.0.251 | 3-29 | 30 | 1 |
| 10.2025.0.000 | 3-25 | 53 | 1 | 10.2264.0.000 | 3-23 | 1 | 2 | 10.3071.1.250 | 3-29 | 24 | 1 |
| 10.2025.0.017 | 3-25 | 50 | 1 | | | | | 10.3071.1.250 | 3-51 | 27 | 1 |
| 10.2027.1.000 | 3-25 | 25 | (1) | 10.3001.3.000 | | | | 10.3072.0.023 | 3-51 | 26 | 1 |
| 10.2028.0.000 | 3-15 | 7 | (2) | 10.3001.3.000 | 3-9 | 25 | 1 | 10.3072.0.024 | 3-29 | 22 | 1 |
| 10.2028.1.000 | 3-25 | 26 | (1) | 10.3002.0.000 | 3-21 | 43 | 1 | 10.3074.0.011 | 3-29 | 21 | 1 |
| 10.2029.0.000 | 3-47 | 20 | 2 | 10.3007.0.000 | 3-21 | 38 | (2) | 10.3074.0.011 | 3-51 | 25 | 1 |
| 10.2031.0.000 | 3-47 | 22 | 2 | 10.3008.0.000 | 3-21 | 29 | 1 | 10.1075.1.000 | 3-15 | 5 | (1) |
| 10.2032.0.000 | 3-47 | 23 | 2 | 10.3009.0.000 | 3-15 | 47 | 1 | 10.3080.0.000 | 3-7 | 27 | 2 |
| 10.2033.0.000 | 3-25 | 16 | 1 | 10.3010.0.000 | 3-15 | 8 | (1) | 10.3081.0.000 | 3-33 | 17 | 1 |
| 10.2033.0.801 | 3-25 | 11 | (1) | 10.3010.0.051 | 3-15 | 9 | 1 | 10.3082.0.000 | 3-7 | 29 | 2 |
| 10.2034.0.000 | 3-25 | 13 | 1 | 10.3011.0.000 | 3-15 | 36 | (1) | 10.3086.0.000 | 3-23 | 15 | 1 |
| 10.2034.0.801 | 3-25 | 15 | (1) | | | | | | | | |

Revised 10/2005

e-mail: service@amfreece.cz; parts@amfreece.cz; website: www.amfreece.com

Phones: +420 582 309 146 (Service), +420 582 309 286 (Spare Parts); Fax: +420 582 360 606

INDEX

| PART NUMBER | PAGE | DET | QTY | PART NUMBER | PAGE | DET | QTY | PART NUMBER | PAGE | DET | QTY |
|----------------------|------|-----|-------|----------------------|------|-----|---------|---------------|------|-----|-------|
| 10.3089.2.000 | 3-23 | 26 | 1 | 10.5002.0.000 | 3-3 | 34 | (1) | 14.1043.0.000 | 3-41 | 22 | 1 |
| 10.3148.0.000 | | | | 10.5005.1.900 | 3-3 | 42 | (1) | 14.1046.0.050 | 3-41 | 7 | 1 |
| 10.3148.0.000 | 3-7 | 21 | 1 | 10.5006.1.000 | 3-3 | 41 | (1) | 14.1047.0.000 | 3-41 | 5 | 1 |
| 10.3203.0.000 | 3-23 | 22 | (2) | 10.5019.0.000 | 3-3 | 47 | 1 | 14.1058.0.000 | 3-21 | 2 | 1 |
| 10.3205.0.000 | 3-23 | 19 | (1) | 10.5021.0.000 | 3-3 | 48 | 1 | 14.1059.0.000 | 3-21 | 1 | 1 |
| 10.3206.0.000 | 3-23 | 16 | (1) | 10.9008.0.050 | 3-17 | 19 | (1) | 14.1064.2.000 | 3-21 | 8 | 1 |
| 10.3250.1.000 | 3-15 | 16 | 2 | 12.0008.4.532 | | | | 14.1067.0.000 | 3-21 | 6 | 1 |
| 10.3252.1.000 | 3-15 | 17 | 2 | 12.0008.4.532 | 3-49 | 23 | — | 14.1070.0.000 | 3-43 | 39 | 1 |
| 10.3254.0.000 | 3-15 | 25 | 1 | 12.0008.4.533 | 3-49 | 23 | — | 14.1084.0.000 | 3-37 | 9 | ((1)) |
| 10.3258.0.000 | 3-15 | 45 | 1 | 12.0008.4.534 | 3-49 | 23 | — | 14.1085.0.000 | 3-37 | 7 | (1) |
| 10.3259.1.001 | 3-15 | 30 | 1 | 12.0008.4.535 | 3-49 | 23 | — | 14.1085.0.850 | 3-37 | 1 | 1 |
| 10.3259.1.002 | 3-15 | 32 | 1 | 12.0008.6.109 | 3-52 | 10 | 1 | 14.1085.0.901 | 3-37 | 10 | ((1)) |
| 10.3262.0.250 | 3-15 | 13 | 1 | 12.0008.6.215 | 3-51 | 5 | 1 | 14.1089.0.000 | 3-39 | 10 | 1 |
| 10.3300.0.006 | 3-13 | 16 | 1 | 12.1010.0.012 | 3-17 | 34 | (1+(1)) | 14.1099.0.000 | 3-35 | 4 | 1 |
| 10.3301.1.006 | 3-13 | 20 | 2 | 12.1010.0.220 | 3-25 | 63 | 1 | 14.1102.0.000 | 3-37 | 14 | ((1)) |
| 10.3302.0.000 | 3-13 | 19 | 1 | 12.1014.0.004 | 3-39 | 7 | (1) | 14.1108.0.050 | 3-33 | 23 | 1 |
| 10.3303.0.000 | 3-13 | 23 | 1 | 12.1015.0.001 | 3-11 | 38 | 0 | 14.1108.0.901 | 3-33 | 26 | ((1)) |
| 10.3512.0.000 | 3-43 | 11 | 1 | 12.1015.0.001 | 3-35 | 9 | (1) | 14.1197.1.000 | 3-17 | 18 | (1) |
| 10.4001.0.150 | 3-17 | 1 | 1 | 12.2010.0.000 | 3-11 | 30 | 1 | 14.1236.0.000 | 3-21 | 15 | 1 |
| 10.4002.1.000 | 3-17 | 20 | ((1)) | 12.4021.0.312 | 3-33 | 28 | (1) | 14.1250.0.000 | 3-43 | 37 | 2 |
| 10.4003.0.000 | 3-17 | 21 | ((1)) | 12.8000.1.001 | 3-3 | 9 | (1) | 14.2002.0.001 | 3-47 | 9 | 1 |
| 10.4004.0.000 | 3-17 | 4 | (1) | 13.1036.0.000 | | | | 14.2002.0.002 | 3-47 | 2 | 1 |
| 10.4006.0.000 | 3-17 | 2 | (1) | 13.1036.0.000 | 3-41 | 21 | 1 | 14.2003.0.000 | 3-47 | 3 | 1 |
| 10.4007.0.000 | 3-17 | 6 | (1) | 13.1049.0.000 | 3-41 | 3 | 1 | 14.2004.0.000 | 3-47 | 10 | 1 |
| 10.4010.2.000 | 3-17 | 8 | (1) | 13.1050.0.000 | 3-41 | 6 | 1 | 14.2007.1.000 | 3-47 | 33 | 1 |
| 10.4012.0.004 | 3-17 | 66 | 1 | 13.1052.0.001 | 3-21 | 17 | (1) | 14.2008.1.000 | 3-47 | 31 | 1 |
| 10.4016.0.000 | 3-17 | 25 | (1) | 13.1096.0.000 | 3-39 | 16 | (1) | 14.2009.0.000 | 3-25 | 91 | 2 |
| 10.4017.0.000 | 3-17 | 26 | (1) | 13.2021.0.023 | 3-25 | 85 | 1 | 14.2013.0.000 | 3-11 | 19 | 1 |
| 10.4018.0.000 | 3-17 | 29 | (1) | 13.2086.0.000 | 3-25 | 49 | (1) | 14.2023.1.000 | 3-25 | 39 | (1) |
| 10.4019.0.000 | 3-17 | 30 | (2) | 13.2087.1.000 | 3-25 | 61 | 1 | 14.2024.0.000 | 3-25 | 37 | (1) |
| 10.4020.0.000 | 3-21 | 36 | 1 | 13.2088.0.000 | 3-25 | 62 | 1 | 14.2026.0.002 | 3-25 | 21 | (1) |
| 10.4021.0.000 | 3-17 | 49 | (1) | 13.3022.1.023 | 3-25 | 70 | 1 | 14.2026.0.003 | 3-25 | 48 | (1) |
| 10.4024.0.000 | 3-21 | 33 | (1) | 13.3023.0.000 | 3-25 | 71 | 1 | 14.2026.0.005 | 3-25 | 35 | (1) |
| 10.4026.0.000 | 3-17 | 48 | (1) | 13.3079.0.000 | 3-7 | 28 | 1 | 14.2026.0.006 | 3-25 | 36 | (1) |
| 10.4029.0.000 | 3-17 | 60 | 1 | 13.3083.0.000 | 3-7 | 34 | 1 | 14.2026.0.050 | 3-25 | 20 | 1 |
| 10.4030.0.000 | 3-17 | 64 | 1 | 13.3094.2.000 | 3-25 | 83 | 1 | 14.2039.0.801 | 3-25 | 04 | (1) |
| 10.4030.0.000 | 3-45 | 17 | 1 | 13.3131.0.000 | 3-25 | 78 | 1 | 14.2040.0.000 | 3-25 | 18 | 1 |
| 10.4031.0.000 | 3-17 | 62 | 1 | 14.1016.1.050 | | | | 14.2040.0.901 | 3-25 | 17 | (1) |
| 10.4032.0.000 | 3-17 | 61 | 1 | 14.1016.1.050 | 3-43 | 4 | 1 | 14.2043.0.019 | 3-47 | 40 | 1 |
| 10.4035.0.000 | 3-17 | 44 | (1) | 14.1017.0.000 | 3-43 | 5 | (1) | 14.2047.0.019 | 3-47 | 39 | 1 |
| 10.4036.0.000 | 3-17 | 58 | 1 | 14.1025.1.000 | 3-43 | 15 | 2 | 14.2053.0.000 | 3-47 | 13 | 2 |
| 10.4037.0.000 | 3-17 | 56 | 1 | 14.1026.0.000 | 3-21 | 11 | 1 | 14.2059.0.000 | 3-47 | 8 | 1 |
| 10.4039.0.000 | 3-17 | 27 | (2) | 14.1028.0.000 | 3-43 | 31 | 1 | 14.2060.0.000 | 3-47 | 28 | 1 |
| 10.4202.0.000 | 3-17 | 40 | (1) | 14.1029.0.000 | 3-33 | 29 | (1) | 14.2069.0.000 | 3-23 | 5 | (1) |
| 10.4203.0.000 | 3-17 | 14 | (1) | 14.1035.0.050 | 3-41 | 19 | 1 | 14.2069.0.050 | 3-23 | 3 | 1 |
| 10.5001.2.000 | | | | 14.1041.0.000 | 3-41 | 16 | 1 | 14.2069.0.802 | 3-23 | 6 | (1) |
| 10.5001.2.000 | 3-3 | 30 | (1) | 14.1042.0.000 | 3-43 | 6 | (1) | 14.2212.0.000 | 3-47 | 14 | 2 |
| 10.5001.2.051 | 3-3 | 29 | 1 | | | | | 14.2213.0.000 | 3-47 | 25 | 2 |
| | | | | | | | | 14.2214.0.000 | 3-47 | 17 | 2 |
| | | | | | | | | 14.2254.1.901 | 3-31 | 7 | 1 |

Revised 10/2005

e-mail: service@amfreece.cz; parts@amfreece.cz; website: www.amfreece.com

INDEX

| PART NUMBER | PAGE | DET | QTY | PART NUMBER | PAGE | DET | QTY | PART NUMBER | PAGE | DET | QTY |
|----------------------|------|-----|-------|----------------------|------|-----|-----|-------------|------|-----|-----|
| 14.2261.0.000 | 3-31 | 25 | 1 | 19.0095.1.405 | | | | | | | |
| 14.3003.0.000 | 3-21 | 45 | 1 | 19.0095.1.405 | 3-51 | 36 | 4 | | | | |
| 14.3004.0.000 | 3-21 | 25 | (1) | 22.0216.0.000 | 3-49 | 13 | (1) | | | | |
| 14.3004.0.051 | 3-21 | 24 | 1 | 22.0217.0.000 | 3-49 | 9 | (1) | | | | |
| 14.3005.0.000 | 3-21 | 42 | 1 | 22.0218.0.000 | 3-49 | 3 | 1 | | | | |
| 14.3006.0.201 | 3-21 | 40 | 1 | | | | | | | | |
| 14.3015.0.000 | 3-15 | 33 | 1 | | | | | | | | |
| 14.3015.0.802 | 3-15 | 22 | 1 | | | | | | | | |
| 14.3017.0.000 | 3-15 | 21 | 1 | | | | | | | | |
| 14.3025.0.000 | 3-25 | 76 | 1 | | | | | | | | |
| 14.3064.0.001 | 3-9 | 22 | (1) | | | | | | | | |
| 14.3085.1.050 | 3-23 | 18 | 1 | | | | | | | | |
| 14.3087.0.000 | 3-23 | 30 | 1 | | | | | | | | |
| 14.3088.0.000 | 3-23 | 23 | 1 | | | | | | | | |
| 14.3251.1.000 | 3-15 | 15 | 1 | | | | | | | | |
| 14.4001.0.150 | 3-17 | 32 | (1) | | | | | | | | |
| 14.4001.0.904 | 3-17 | 35 | ((1)) | | | | | | | | |
| 14.4005.0.000 | 3-17 | 5 | (1) | | | | | | | | |
| 14.4008.1.000 | 3-17 | 3 | (1) | | | | | | | | |
| 14.4009.1.000 | 3-17 | 7 | (1) | | | | | | | | |
| 14.4011.0.200 | 3-17 | 22 | ((1)) | | | | | | | | |
| 14.4013.1.000 | 3-17 | 52 | (1) | | | | | | | | |
| 14.4015.1.000 | 3-17 | 24 | (1) | | | | | | | | |
| 14.4022.0.000 | 3-21 | 31 | (1) | | | | | | | | |
| 14.4022.0.051 | 3-21 | 30 | 1 | | | | | | | | |
| 14.4023.0.000 | 3-21 | 34 | (1) | | | | | | | | |
| 14.4023.0.000 | 3-43 | 27 | 1 | | | | | | | | |
| 14.4025.0.901 | 3-17 | 69 | 1 | | | | | | | | |
| 14.4201.0.000 | 3-17 | 11 | (1) | | | | | | | | |
| 14.5019.0.000 | 3-23 | 13 | 1 | | | | | | | | |
| 14.5034.0.000 | 3-35 | 6 | 1 | | | | | | | | |
| 14.8888.2.287 | 3-29 | 1 | 1 | | | | | | | | |
| 14.9005.0.050 | 3-43 | 24 | 2 | | | | | | | | |
| 17.0002.4.403 | | | | | | | | | | | |
| 17.0002.4.403 | 3-49 | 20 | 1 | | | | | | | | |
| 17.0002.4.404 | 3-49 | 22 | 3 | | | | | | | | |
| 17.0004.7.253 | 3-39 | 1 | (1) | | | | | | | | |
| 17.0007.8.171 | 3-49 | 24 | — | | | | | | | | |
| 17.0007.8.172 | 3-49 | 24 | — | | | | | | | | |
| 17.0007.8.173 | 3-49 | 24 | — | | | | | | | | |
| 17.0019.0.441 | 3-51 | 22 | 4 | | | | | | | | |
| 17.0031.1.401 | 3-11 | 23 | 1 | | | | | | | | |
| 17.0031.1.401 | 3-21 | 14 | 1 | | | | | | | | |
| 17.0055.4.414 | 3-49 | 25 | 1 | | | | | | | | |
| 17.0083.1.656 | 3-49 | 19 | 1 | | | | | | | | |
| 17.0094.5.309 | 3-11 | 24 | 1 | | | | | | | | |
| 17.0003.6.156 | 3-49 | 1 | 1 | | | | | | | | |
| 17.0095.1.272 | 3-51 | 23 | 4 | | | | | | | | |

Revised 10/2005

e-mail: service@amfreece.cz; parts@amfreece.cz; website: www.amfreece.com

Phones: +420 582 309 146 (Service), +420 582 309 286 (Spare Parts); Fax: +420 582 360 606

INDEX

| PART NUMBER | PAGE | DET | QTY | PART NUMBER | PAGE | DET | QTY | PART NUMBER | PAGE | DET | QTY |
|-------------|------|-----|-----|-------------|------|-----|-----|-------------|------|-----|-----|
| | | | | | | | | | | | |

Revised 10/2005

e-mail: service@amfreece.cz; parts@amfreece.cz; website: www.amfreece.com

Phones: +420 582 309 146 (Service), +420 582 309 286 (Spare Parts); Fax: +420 582 360 606