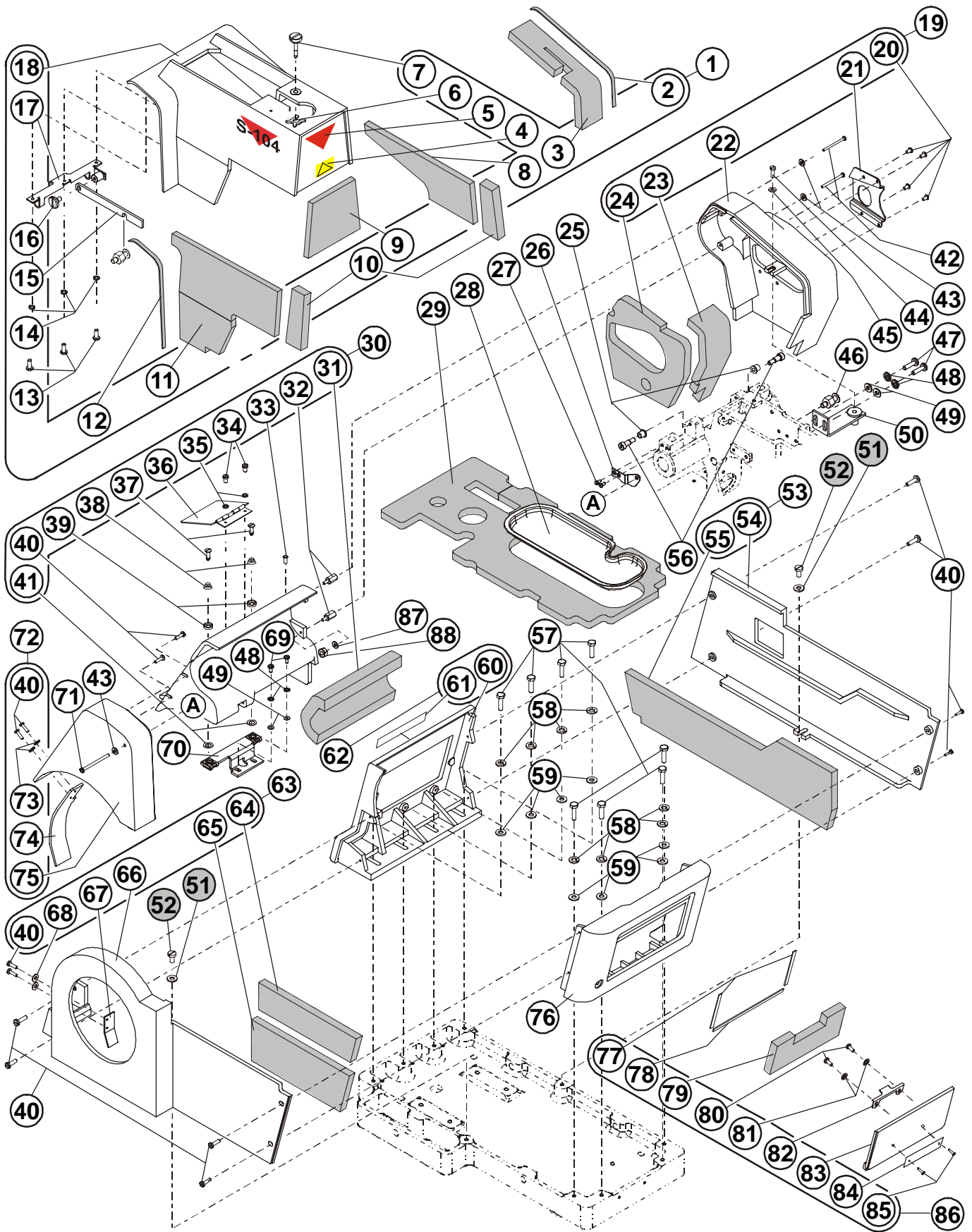


TABLE OF CONTENTS

Covers & Supporting Members	3-2
Support Damping & Latching & Thread Handling	3-6
Drive Shaft	3-8
Main Cam and Brake Band	3-10
Starting Lever and Switch Lever Assembly	3-12
Combination Lateral Lever	3-14
Flybar Control & Turning Sectors & Levers	3-16
Race	3-18
Thread Take up & Looper Drive	3-22
Upper Thread Trimmer	3-24
Clamp Yoke Assembly	3-26
Clamp Yoke Assembly	3-28
Stitch Drive Shaft Assembly	3-32
Length Gauge	3-34
Stitch Feed	3-36
Rocking Lever	3-40
Needle Bar Drive and Vibrator	3-44
Needle Bar and Gear	3-46
Thread Handling	3-48
Oiling System	3-50
Regular Table	3-54
Tools, Supplies & Accessories	3-56

COVERS & SUPPORTING MEMBERS



Released 02/2005

E-mail: service@amfreece.cz; parts@amfreece.cz ; website: www.amfreece.com

Phones: +420 582 309 146 (Service), +420 582 309 286 (Spare Parts) ; Fax: +420 582 360 606

COVERS & SUPPORTING MEMBERS

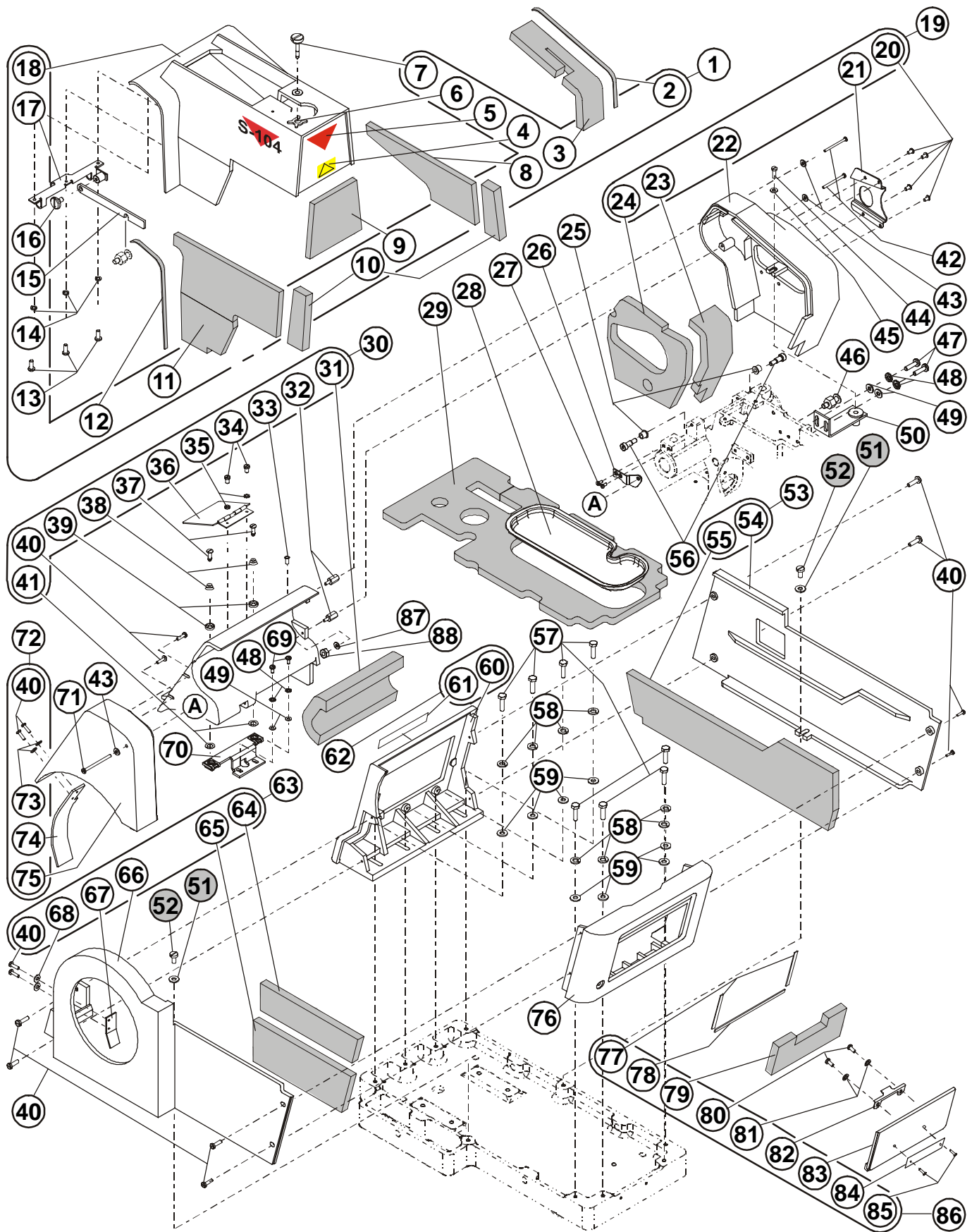
DET	PART NUMBER	DESCRIPTION	QTY.
01	14.0525.0.003	Head Cover	1
02	13.0515.1.001	Gasket 216.0 Head	(1)
03	13.0525.0.907	Acoustic Pad Head	(1)
04	05.4112.0.000	Label	(1)
05	27513603	Label	(1)
06	01.4777.0.000	Washer	(1)
07	13.0511.3.000	Screw	(1)
08	13.0525.0.909	Acoustic Pad Head	(1)
09	13.0525.0.906	Acoustic Pad Head	(1)
10	13.0525.0.905	Acoustic Pad Head	(2)
11	13.0525.0.908	Acoustic Pad Head	(1)
12	13.0515.1.002	Gasket 228.0 Head	(1)
13	01.2241.0.002	Screw	(3)
14	01.4406.0.000	Washer	(3)
15	13.0514.1.000	Latch* Cover	(1)
16	01.1453.0.000	Screw	(1)
17	13.0530.0.000	Hinge Head Cover	(1)
18	14.0525.0.000	Head Cover	(1)
19	14.0523.1.050	R.H. Rear Cover	1
20	01.1661.0.001	Screw	(4)
21	16.1109.0.000	Plate	(1)
22	14.0523.0.000	Cover Head Right	(1)
23	13.0523.0.903	Acoustic Pad	(1)
24	13.0523.0.001	Acoustic Pad	(1)
25	01.7625.0.000	Bushing-Nylon	2
26	See.Page 3-32	L.H. Bracket Assembly	—
27	See.Page 3-32	Screw	—
28	13.5014.0.000	Waste Tray	1
29	13.5015.0.000	Acoustic Pad	1
30	14.0522.1.050	Head Center Cover	1
31	13.0522.1.001	Acoustic Pad	(1)
32	06.0621.0.000	Stand-Off	(2)
33	13.0534.0.000	Oil Inled	(1)
34	01.2884.0.000	Screw	(2)
35	01.4673.0.000	Lockwasher	(2)
36	14.0517.0.000	Cover	(1)
37	01.6286.0.001	Stud*1/4 Turn	(2)
38	01.5236.0.000	Spring Stud Ejector	(2)
39	01.4305.0.000	Wear Washer	(2)
40	01.2885.0.003	Screw	(2)(2)(2)8
41	01.6285.0.000	Split Ring Retainer	(2)
42	01.2247.0.004	Screw	2
43	01.4781.0.701	Washer*Flat Nylon	3
44	01.2732.0.300	Screw	1
45	01.4549.0.000	Washer	1
46	13.0513.1.000	Stud, Latch	1
47	01.1728.0.401	Screw	2
48	01.4672.0.301	Washer Lock	4
49	08.6842.5.000	Washer	4
50	13.0508.1.000	Bracket - Head Assembly	1

Released 02/2005

E-mail: service@amfreece.cz; parts@amfreece.cz; website: www.amfreece.com

Phones: +420 582 309 146 (Service), +420 582 309 286 (Spare Parts); Fax: +420 582 360 606

COVERS & SUPPORTING MEMBERS



Released 02/2005

E-mail: service@amfreece.cz; parts@amfreece.cz; website: www.amfreece.com

Phones: +420 582 309 146 (Service), +420 582 309 286 (Spare Parts); Fax: +420 582 360 606

COVERS & SUPPORTING MEMBERS

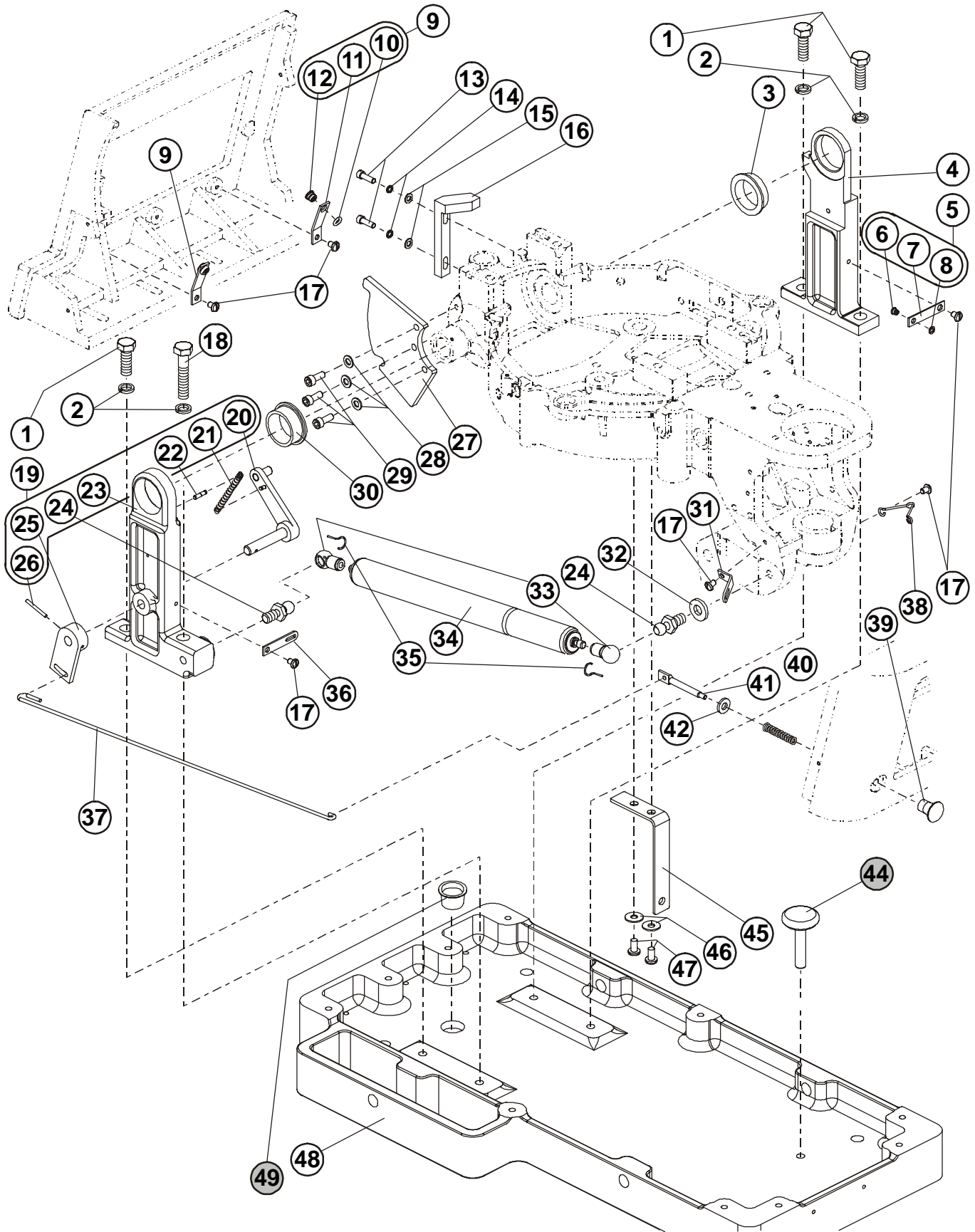
DET	PART NUMBER	DESCRIPTION	QTY.
51	01.4579.0.000	Washer	2
52	01.2871.0.000	Screw	2
53	14.0527.1.050	Right Base Side Cover	1
54	14.0527.0.000	Cover R.H.	(1)
55	13.0527.0.901	Acoustic Pad	(1)
56	01.1480.0.000	Screw - Shoulder	2
57	01.2845.0.000	Screw	8
58	01.4578.0.000	Lockwasher	8
59	01.4579.0.000	Washer	8
60	14.0530.0.000	Cover Back Base Assembly	(1)
61	01.1393.0.000	Label	(1)
62	14.0530.1.000	Rear Base	1
63	14.0526.1.050	L.H. Base Side Cover	1
64	13.0526.0.902	Acoustic Pad	(1)
65	13.0526.0.903	Acoustic Pad	(1)
66	14.0526.0.000	Cover Back Base	(1)
67	13.0532.0.000	Guard Motor Belt	(1)
68	01.4547.0.000	Washer	(2)
69	01.2816.0.000	Screw	2
70	14.0512.0.000	Bracket Support Assembly	1
71	01.2260.0.603	Screw	1
72	14.0524.1.050	Cover Rear L.H.	1
73	01.4547.0.000	Washer	(2)
74	13.0523.0.000	Belt Guard	(1)
75	14.0524.0.002	Cover Head Left	(1)
76	14.0531.1.000	Front Base	1
77	13.5033.0.001	Gasket 76,0 Front	(2)
78	13.5033.0.002	Gasket 152,0 Front	(1)
79	13.5031.0.901	Acoustic Pad	(1)
80	01.2247.0.000	Screw	(2)
81	01.4407.0.000	Screw	(2)
82	13.5032.1.000	Clip	(1)
83	13.5031.1.900	Front Base Panel	(1)
84	12.8000.1.001	Label	(1)
85	08.6962.2.009	Screw	(2)
86	13.5031.0.000	Front Base Panel	1
87	08.6850.4.000	Washer Flat	2
88	01.3402.0.000	Nut	2

Released 02/2005

E-mail: service@amfreece.cz; parts@amfreece.cz; website: www.amfreece.com

Phones: +420 582 309 146 (Service), +420 582 309 286 (Spare Parts); Fax: +420 582 360 606

SUPPORT DAMPING & LATCHING & THREAD HANDLING



Released 09/2005

E-mail: service@amfreece.cz; parts@amfreece.cz; website: www.amfreece.com

Phones: +420 582 309 146 (Service), +420 582 309 286 (Spare Parts); Fax: +420 582 360 606

SUPPORT DAMPING & LATCHING & THREAD HADLING

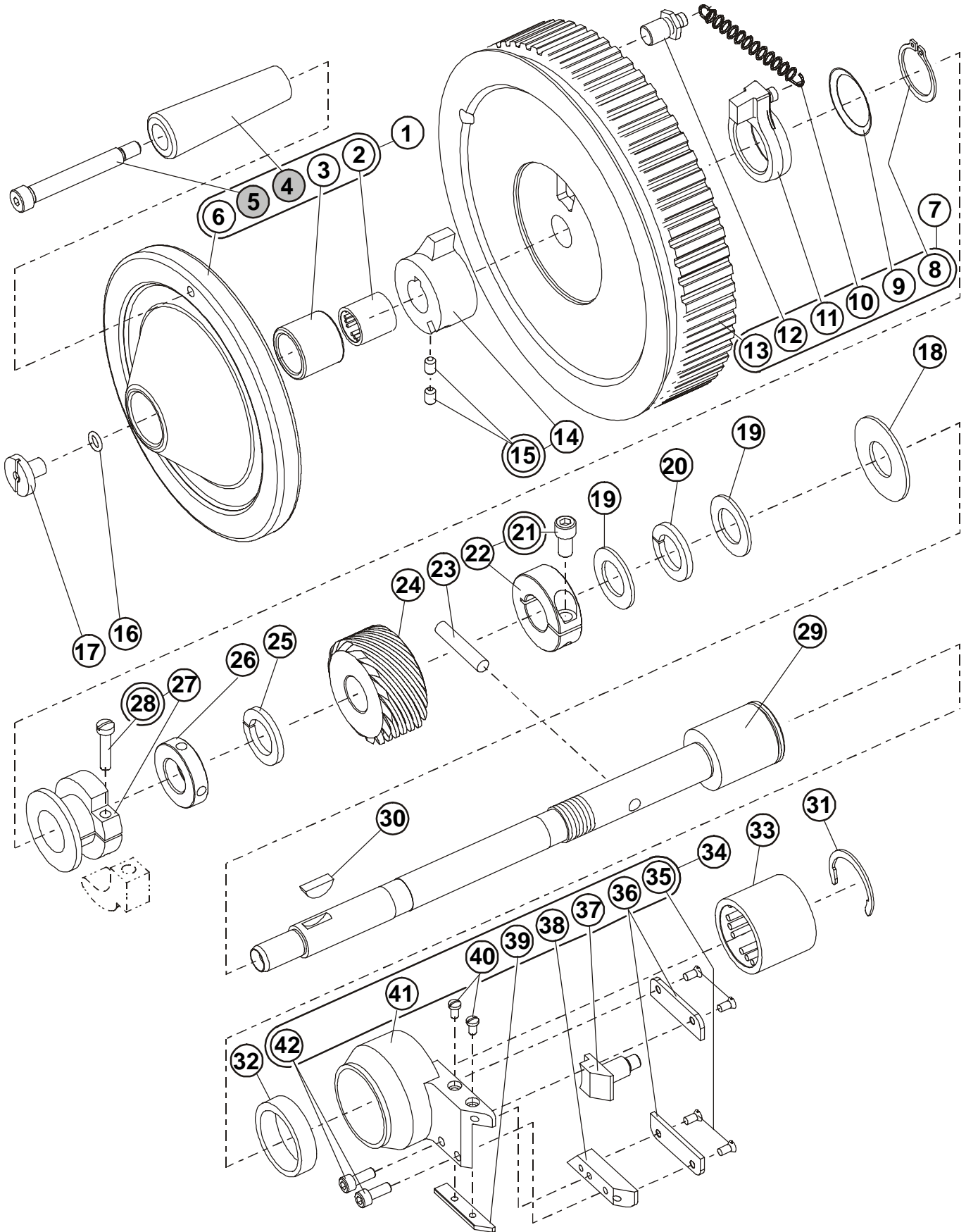
DET	PART NUMBER	DESCRIPTION	QTY.
01	01.2877.0.000	Screw	3
02	01.4581.0.000	Lockwasher	4
03	13.3106.0.002	RH. Bushing	1
04	13.3105.0.000	RH. Cam Case Support	1
05	13.3109.0.002	Line*Guide Thread Assembkly	1
06	01.7447.1.000	Guide	(1)
07	13.3109.0.902	Guide Thread * Unfinishe	(1)
08	01.6551.0.000	Ring Retainer	(1)
09	13.3109.0.003	Guide Assembly	2
10	01.6582.0.000	Ring Retainer	(1)+(1)
11	13.3109.0.903	Guide Thread * Unfinishe	(1)+(1)
12	01.7447.0.001	Guide	(1)+(1)
13	01.2128.0.000	Screw	2
14	01.4572.0.000	Lockwasher	2
15	01.4412.0.000	Washer	2
16	13.3083.0.000	Suppert	1
17	01.2247.0.002	Screw	5
18	01.2877.0.003	Screw	1
19	13.3102.0.000	L.H. Cam Case Support Assembly	1
20	13.3103.0.000	Sector Arm Assembly	(1)
21	01.5602.0.000	Pin Spring	(1)
22	01.6831.0.001	Anchor Pin	(1)
23	13.3102.0.901	Support - Cam Case L.H.*MA	(1)
24	07.0086.0.001	Ball Stud	(1)+1
25	13.3104.0.000	Link Arm	(1)
26	01.6569.0.002	Pin - Spring .093 Dia X	(1)
27	13.3107.1.000	Sector	1
28	01.4003.0.000	Lockwasher	3
29	01.2493.0.000	Screw	3
30	13.3106.0.001	L.H. Bushing	1
31	10.3607.1.000	Cord Guide	1
32	01.4701.0.000	Washer	(1)
33	07.0087.0.000	Ball Socket	1
34	07.6481.0.014	Hydraulic Damper	1
35	07.0087.0.001	Spring Sector	2
36	13.3127.0.000	Cord Guide	1
37	30.5024.0.000	Extension Link	1
38	10.4550.0.000	Cord Guide	1
39	04.1791.0.000	Knob	1
40	01.5061.0.000	Spring	1
41	30.5025.1.000	Link	1
42	01.4002.0.000	Washer	1
43			
44	04.1283.0.001	Leveler	1
45	14.3129.0.000	Cord Guide Bracket	1
46	01.4559.0.000	#10 Flat Washer	2
47	01.2886.0.000	Screw 8-32 x .250	2
48	13.5021.1.000	Base	1
49	04.1712.0.000	Red Cap Plug	1

Released 09/2005

E-mail: service@amfreece.cz; parts@amfreece.cz ; website: www.amfreece.com

Phones: +420 582 309 146 (Service), +420 582 309 286 (Spare Parts) ; Fax: +420 582 360 606

DRIVE SHAFT



Released 09/2005

E-mail: service@amfreece.cz; parts@amfreece.cz ; website: www.amfreece.com
 Phones: +420 582 309 146 (Service), +420 582 309 286 (Spare Parts) ; Fax: +420 582 360 606

DRIVE SHAFT

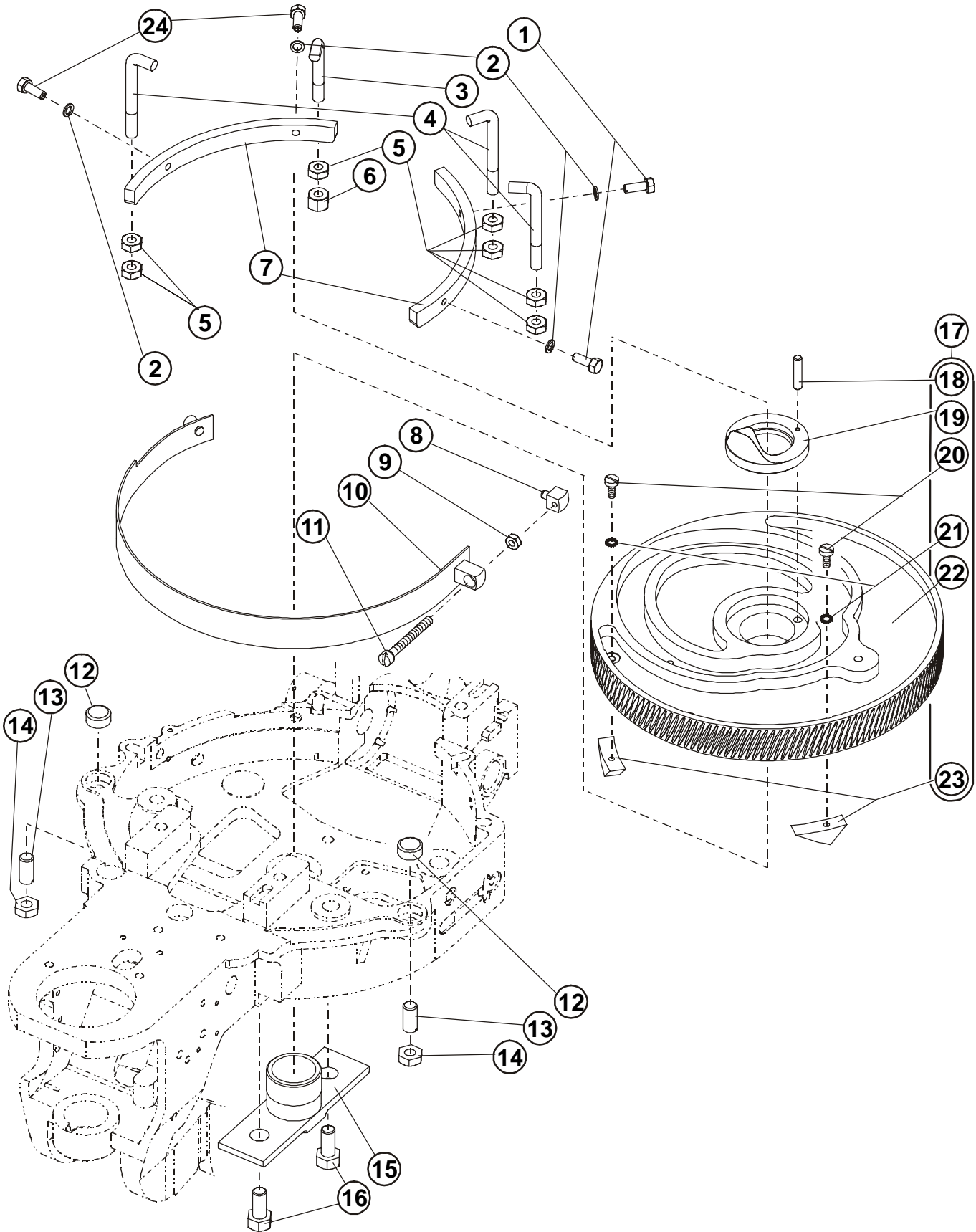
DET	PART NUMBER	DESCRIPTION	QTY.
01	13.3101.2.000	Handwheel Assembly	1
02	01.7653.0.000	Clutch Roller Bearing	(1)
03	01.7722.0.000	Sleeve	(1)
04	13.3101.2.002	Handle	(1)
05	01.1470.0.000	Screw	(1)
06	13.3101.2.001	Handwheel	(1)
07	13.3039.1.050	Wheel - Cutting Assembly	1
08	01.6422.0.005	Retainig Ring	(1)
09	01.4764.0.000	Washer	(1)
10	01.5017.0.000	Spring	(1)
11	10.3042.0.000	Dog Strike	(1)
12	10.3040.1.000	Anchor Stud	(1)
13	13.3039.1.000	Cutting Wheel	(1)
14	13.3123.0.000	Drive Hub	1
15	01.1568.0.001	Screw	(2)
16	01.4482.0.000	O-Ring	1
17	13.3117.0.000	Screw	1
18	01.4905.0.000	Washer	1
19	01.4747.0.000	Washer	2
20	01.4009.0.001	Lock Washer	1
21	03.6000.1.208	Screw	(1)
22	01.7668.0.000	Collar	2
23	10.3051.0.000	Drive Pin	1
24	10.3050.0.000	Worm Gear	1
25	01.4009.0.000	Lock Washer	1
26	10.3049.0.000	Collar	1
27	10.3045.0.000	Shifter Spool	1
28	01.2035.0.000	Screw	(1)
29	14.3047.0.801	Worm Shift	1
30	01.8007.0.001	Key	1
31	01.6970.0.000	Retaining Ring	1
32	01.7040.0.000	Collar	1
33	12.2090.0.003	Bearing	(1)
34	14.3100.1.050	Feed Clutch Assembly	1
35	01.2075.0.000	Screw	5
36	10.3080.0.000	Outer Plate	(2)
37	13.3079.0.000	Slide Stud	(1)
38	14.3101.0.000	Wear Plate	(1)
39	10.3082.0.000	Inner Plate	(1)
40	01.2008.0.000	Screw	(2)
41	14.3100.0.901	Feed Clutch	(1)
42	01.2436.0.000	Screw	(2)

Released 09/2005

E-mail: service@amfreece.cz; parts@amfreece.cz; website: www.amfreece.com

Phones: +420 582 309 146 (Service), +420 582 309 286 (Spare Parts); Fax: +420 582 360 606

MAIN CAM AND BRAKE BAND

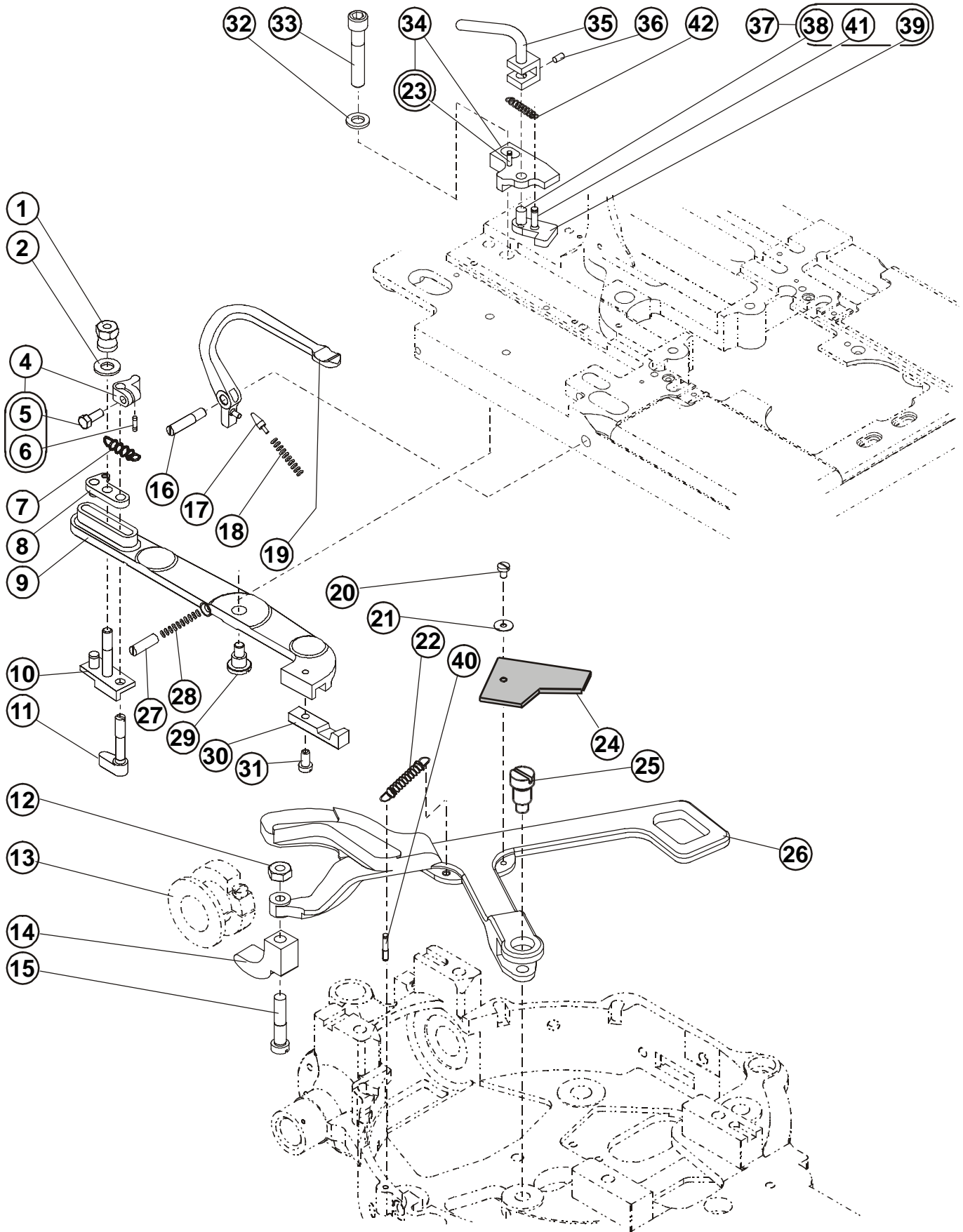


Released 02/2005

E-mail: service@amfreece.cz; parts@amfreece.cz ; website: www.amfreece.com

Phones: +420 582 309 146 (Service), +420 582 309 286 (Spare Parts) ; Fax: +420 582 360 606

STARTING LEVER AND SWITCH LEVER ASSEMBLY



Released 02/2005

E-mail: service@amfreece.cz; parts@amfreece.cz ; website: www.amfreece.com
Phones: +420 582 309 146 (Service), +420 582 309 286 (Spare Parts) ; Fax: +420 582 360 606

STARTING LEVER AND SWITCH LEVER ASSEMBLY

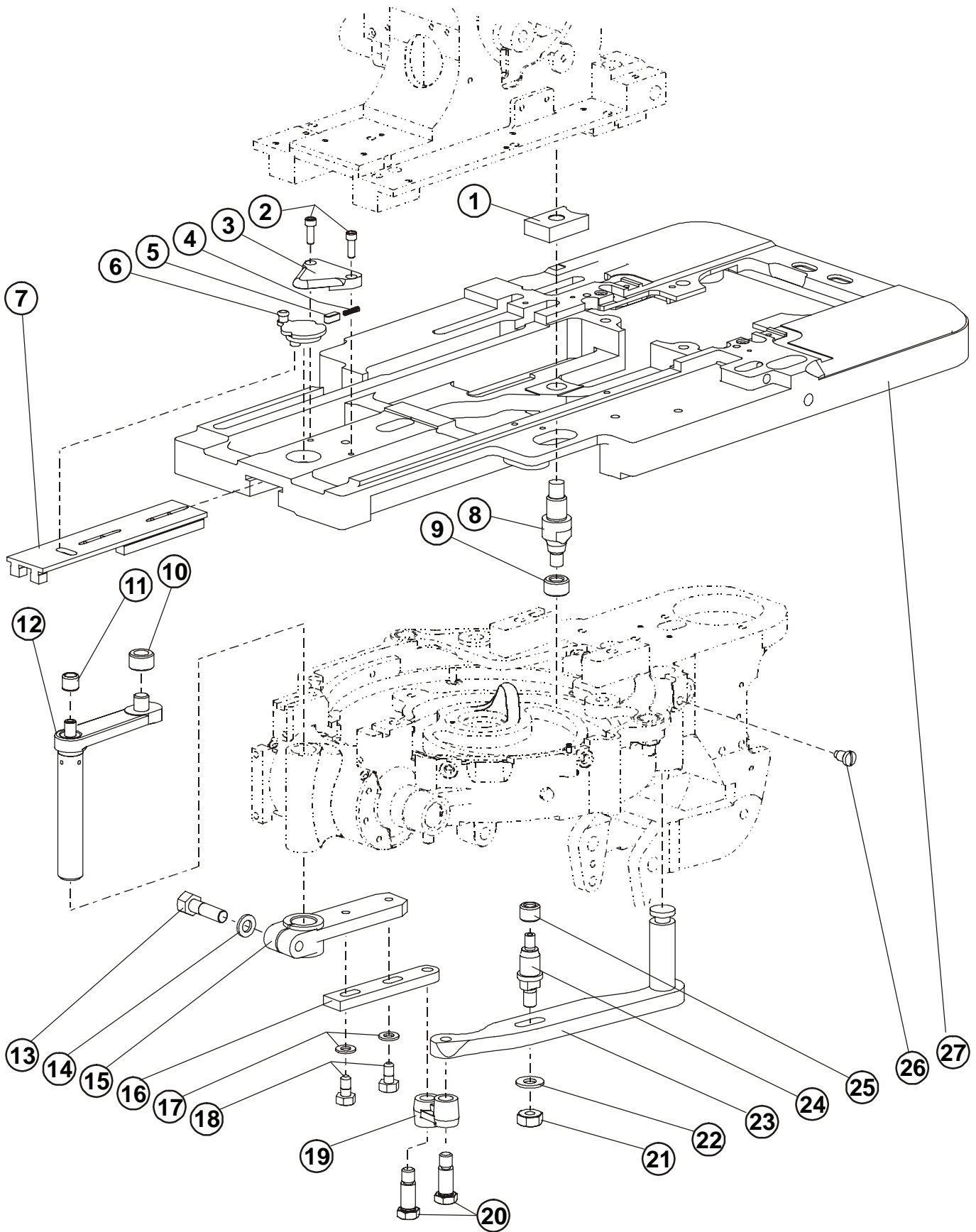
DET	PART NUMBER	DESCRIPTION	QTY.
01	10.2008.0.000	Nut	1
02	01.4063.0.000	Washer	1
03			
04	10.2073.0.000	Latch Assembly	1
05	01.2386.0.000	Screw	(1)
06	01.6135.0.000	Pin	(1)
07	01.5473.0.000	Spring	1
08	10.2072.0.000	Plate	1
09	10.2012.0.000	Switch Lever	1
10	10.2070.1.000	Block	1
11	10.2071.0.000	Lever	1
12	01.3007.0.000	Nut	1
13	See Page 3-8	Shifter Spool Assembly	—
14	10.3031.0.000	Shifter Shoe	1
15	01.2032.1.000	Screw	1
16	10.2014.0.000	Pivot Screw	1
17	10.2015.0.000	Plunger	1
18	01.5020.0.000	Spring	1
19	14.2013.0.000	Starting Lever	1
20	01.2004.0.000	Screw	1
21	01.4001.0.000	Washer	1
22	01.5055.0.000	Spring	1
23	17.0031.1.401	Pin	1
24	17.0094.5.309	Felt Pad	1
25	10.3032.1.000	Screw	1
26	10.3029.1.000	Shifting Lever	1
27	01.2071.0.000	Screw	1
28	01.5019.0.000	Spring	1
29	10.2011.0.000	Pivot Screw	1
30	12.2010.0.000	Trip	1
31	01.2041.0.000	Screw	1
32	01.4522.0.000	Washer	1
33	01.1147.0.002	Screw	1
34	10.1180.0.000	Block	1
35	14.1246.1.000	Yoke	1
36	01.2442.0.001	Set Screw	1
37	13.1181.0.000	Latch Assembly	1
38	13.1247.0.000	Pivot Stud	(1)
39	13.1181.0.901	Latch Machining	(1)
40	12.1015.0.001	Pin	(1)
41	01.6982.0.002	Pin	(1)
42	01.5048.0.000	Spring	1

Released 02/2005

E-mail: service@amfreece.cz; parts@amfreece.cz ; website: www.amfreece.com

Phones: +420 582 309 146 (Service), +420 582 309 286 (Spare Parts) ; Fax: +420 582 360 606

COMBINATION LATERAL LEVER

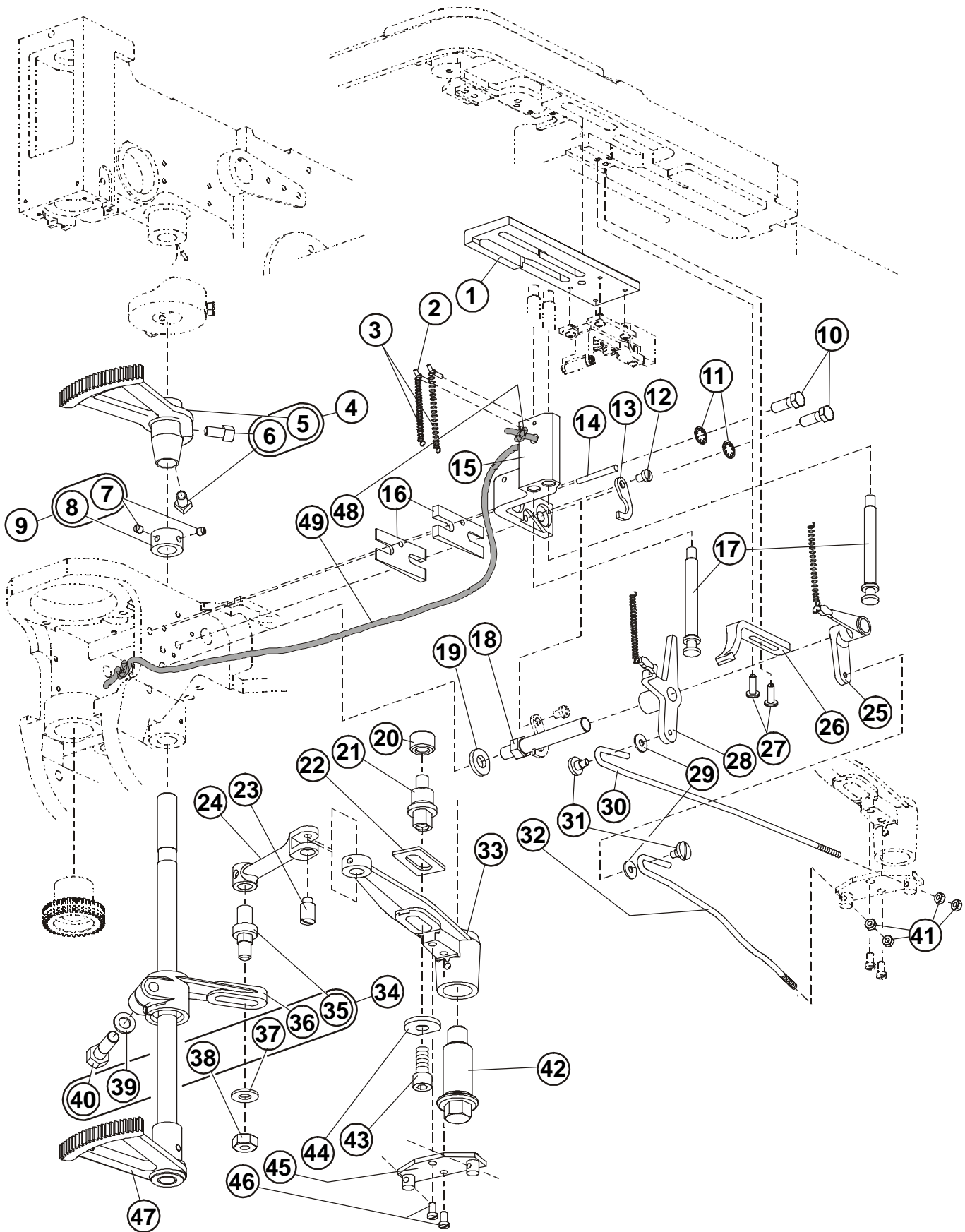


Released 02/2005

E-mail: service@amfreece.cz; parts@amfreece.cz ; website: www.amfreece.com

Phones: +420 582 309 146 (Service), +420 582 309 286 (Spare Parts) ; Fax: +420 582 360 606

FLYBAR CONTROL & TURNING SECTORS & LEVERS



Released 02/2005

E-mail: service@amfreece.cz; parts@amfreece.cz ; website: www.amfreece.com
Phones: +420 582 309 146 (Service), +420 582 309 286 (Spare Parts) ; Fax: +420 582 360 606

FLYBAR CONTROL & TURNING SECTORS & LEVERS

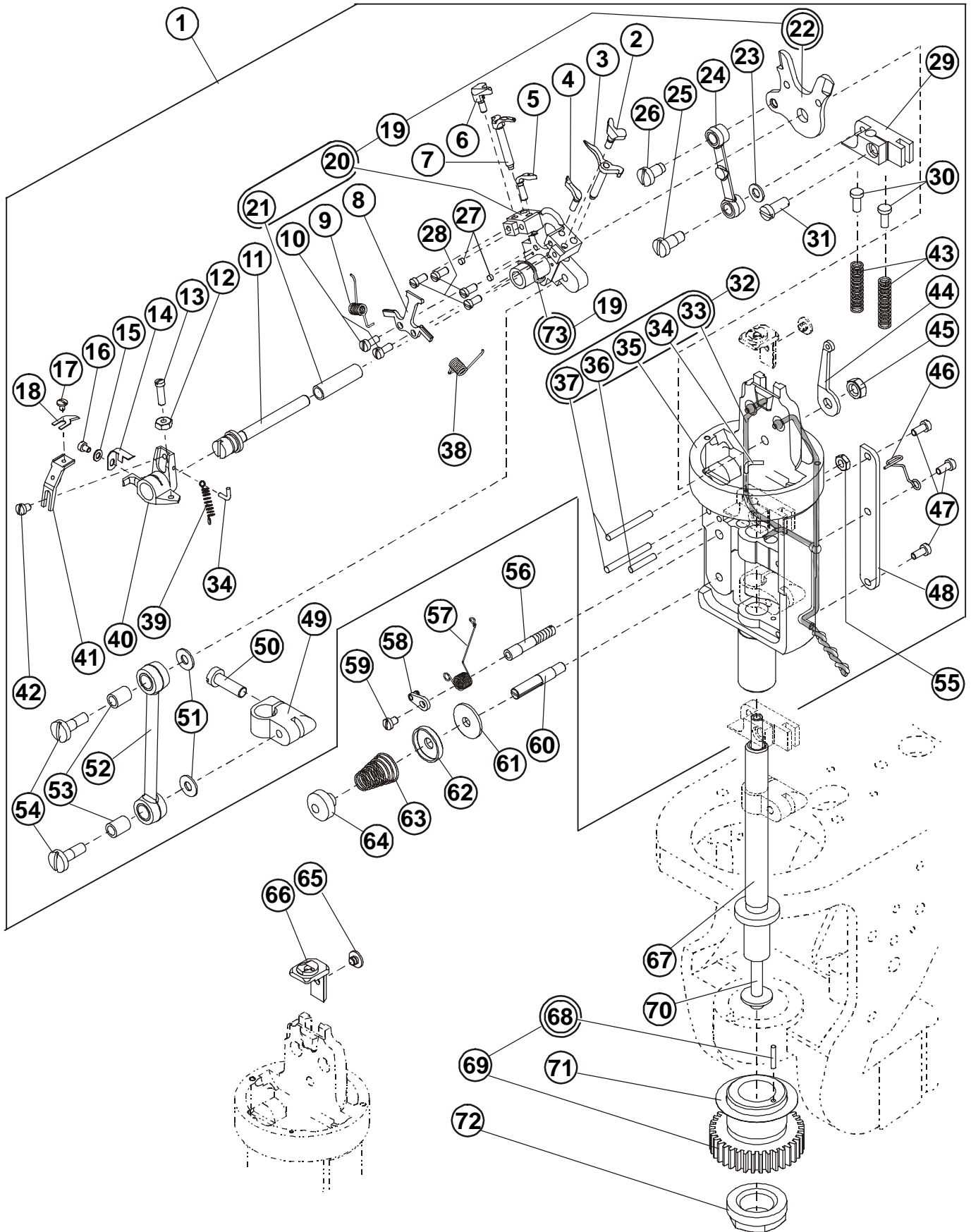
DET	PART NUMBER	DESCRIPTION	QTY.
01	10.2255.2.150 10.2255.3.200	Cam Plate * Flybar CA Cam Plate * Flybar CB	1
02	01.6982.0.001	Pin	2
03	01.5054.0.000	Spring	2
04	10.1075.1.051	Line*Uper Sector Lever Assembly	1
05	10.1075.1.000	Upper Sector	(1)
06	01.2014.0.000	Screw	(2)
07	01.2028.0.000	Screw	(2)
08	10.3010.0.000	Collar	(1)
09	10.3010.0.051	Line*Collar Assembly	1
10	01.2088.0.000	Screw	2
11	01.4046.0.000	Lockwasher	2
12	01.2006.0.000	Screw	1
13	10.3262.0.250	Latch	1
14	01.6031.0.000	Taper Pin	1
15	14.3251.1.000	Bracket	1
16	10.3250.1.000	Spacer	2
17	10.3252.1.000	Pin	2
18	01.1447.0.000	Stud AF	1
19	01.4701.0.000	Washer	1
20	10.3018.0.000	Roll*CA	1
21	14.3017.0.000	Sector Stud	1
22	14.3015.0.802	Plate	1
22	10.3026.0.000	Stud	1
24	10.3012.0.000	Link	1
25	10.3254.0.000	RH. Actuator Pin	1
26	10.2256.0.000	Bracket	1
27	01.2043.0.000	Screw	2
28	10.3253.0.000	Actuator	1
29	01.4472.0.000	Washer	2
30	10.3259.1.001	R.H. Wire Rod	1
31	01.1432.0.000	Screw	2
32	10.3259.1.002	L.H. Wire Rod	1
33	14.3015.0.000	Sector Lever	1
34	10.3011.0.051	LineShort Sector Lever Assembly	1
35	10.3013.0.000	Short Sector Lever Stud	(1)
36	10.3011.0.000	Short Sector Lever	(1)
37	01.4005.0.000	Washer	1
38	01.3013.0.000	Nut	(1)
39	01.4522.0.000	Washer	1
40	01.2016.0.000	Screw	(1)
41	01.3016.0.000	Nut	4
42	10.3016.0.000	Pivot Stud	4
43	01.1594.0.000	Screw	1
44	01.4154.0.000	Washer	1
45	10.3258.0.000	Wire Bracket	1
46	01.2079.0.000	Screw	2
47	10.3009.0.000	Lower Sector Assembly	1
48	07.0400.0.003	Wick	1
49	07.0400.0.007	Wick	1

Released 10/2005

E-mail: service@amfreece.cz; parts@amfreece.cz ; website: www.amfreece.com

Phones: +420 582 309 146 (Service), +420 582 309 286 (Spare Parts) ; Fax: +420 582 360 606

RACE



Released 02/2005

E-mail: service@amfreece.cz; parts@amfreece.cz ; website: www.amfreece.com

Phones: +420 582 309 146 (Service), +420 582 309 286 (Spare Parts) ; Fax: +420 582 360 606

RACE

DET	PART NUMBER	DESCRIPTION	QTY.
01	14.4001.0.151	Race Assembly * AF/CA 104	1
02	10.4006.0.000	R.H. Spreader Stop	(1)
03	14.4008.1.000	R.H. Spreader	(1)
04	10.4004.0.000	Blind Looper	(1)
05	14.4005.0.000	Eye Looper	(1)
06	10.4007.0.000	L.H. Spreader Stop	(1)
07	14.4009.1.000	L.H. Spreader	(1)
08	10.4010.2.000	Needle Guard	(1)
09	01.5620.0.000	L.H. Spring	(1)
10	01.2073.0.000	Screw	(2)
11	14.4201.0.000	Stud	(1)
12	01.3025.0.000	Nut	(1)
13	01.2361.0.000	Screw	(1)
14	10.4203.0.000	Retaining Spring	(1)
15	01.4015.0.000	Washer	(1)
16	01.2318.0.000	Screw	(1)
17	01.2667.0.000	Screw	(1)
18	14.1197.1.000	Trimmer Knife	(1)
19	14.9008.0.050	Looper Carrier/Spreader Wedge Assembly CB	(1)
20	14.4002.0.000	Looper Carrier	((1))
21	10.4003.0.000	Bushing	((1))
22	14.4011.0.200	Sprader Wedge S101	((1))
23	01.4012.0.000	Washer	(1)
24	14.4015.1.000	Sprader Link	(1)
25	10.4016.0.000	Screw	(1)
26	10.4017.0.000	Screw	(1)
27	10.4039.0.000	Felt Pad	(2)
28	01.2001.0.000	Screw	(4)
29	10.4018.0.000	Crosshead Spreader	(1)
30	10.4019.0.000	Pin	(2)
31	01.2059.0.000	Screw	(1)
32	14.4001.0.150	Race Assembly*AF-CA	(1)
33	07.0401.0.009	Wick	((1))
34	12.1010.0.012	Pin	(1+(1))
35	14.4001.0.904	Race	((1))
36	01.6013.0.000	Pin	((1))
37	01.6018.0.000	Pin	((2))
38	01.5919.0.000	R.H. Spring	(1)
39	01.5041.0.000	Spring	(1)
40	10.4202.0.000	Trimmer Holder	(1)
41	10.1198.1.000	Knife Holder	(1)
42	01.2081.0.000	Screw	(1)
43	01.5026.0.000	Spring	((2))
44	10.4035.0.000	Cord Guide	(1)
45	01.3005.0.000	Nut	(1)
46	05.1368.0.000	Guide Thread	(1)
47	01.2073.0.000	Screw	(3)
48	10.4026.0.000	Crosshead Guide	(1)
49	10.4021.0.000	Crosshead Looper	(1)
50	01.2024.0.000	Screw	(1)

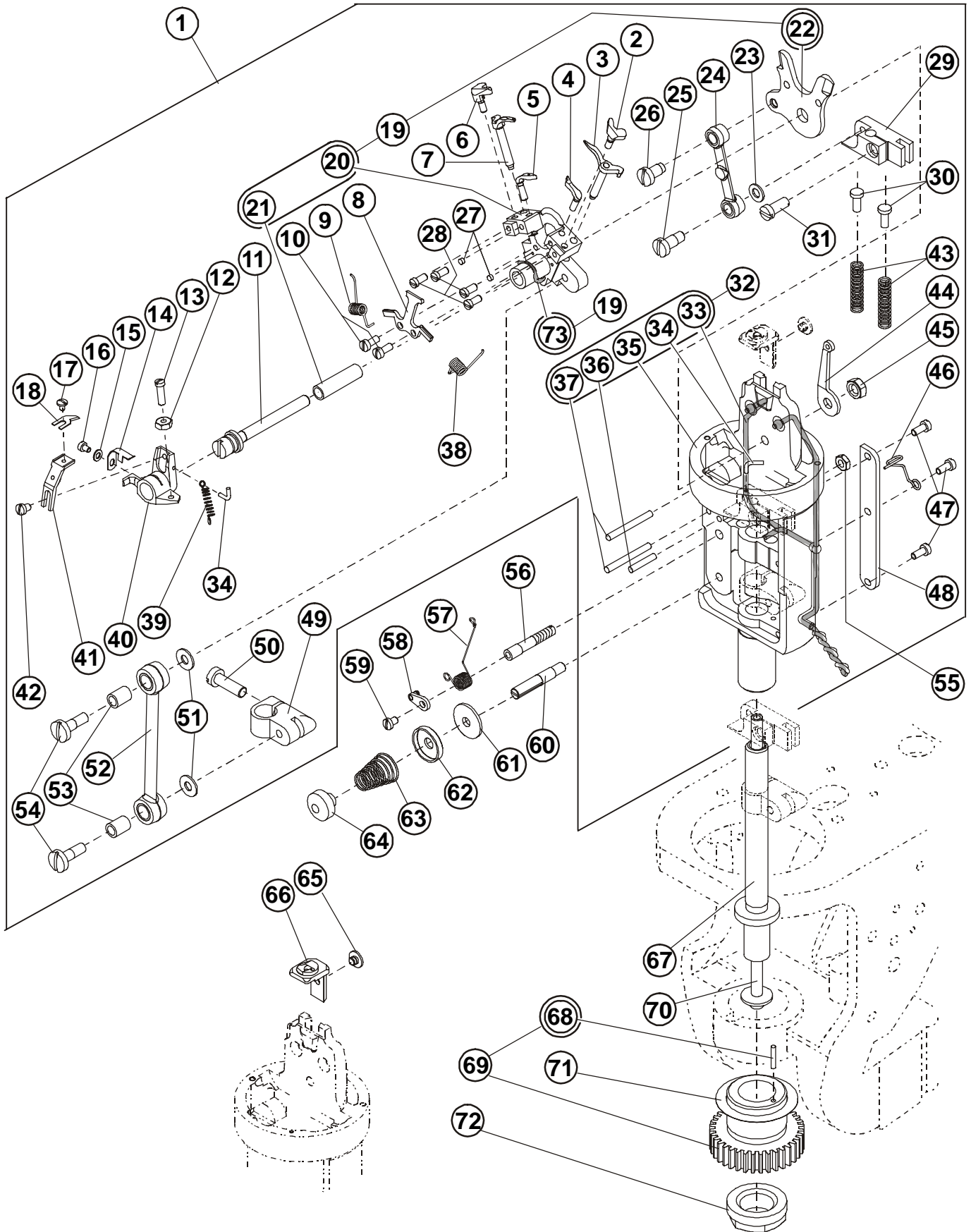
Released 02/2005

E-mail: service@amfreece.cz; parts@amfreece.cz; website: www.amfreece.com

Phones: +420 582 309 146 (Service), +420 582 309 286 (Spare Parts); Fax: +420 582 360 606



RACE



Released 02/2005

E-mail: service@amfreece.cz; parts@amfreece.cz ; website: www.amfreece.com
Phones: +420 582 309 146 (Service), +420 582 309 286 (Spare Parts) ; Fax: +420 582 360 606

RACE



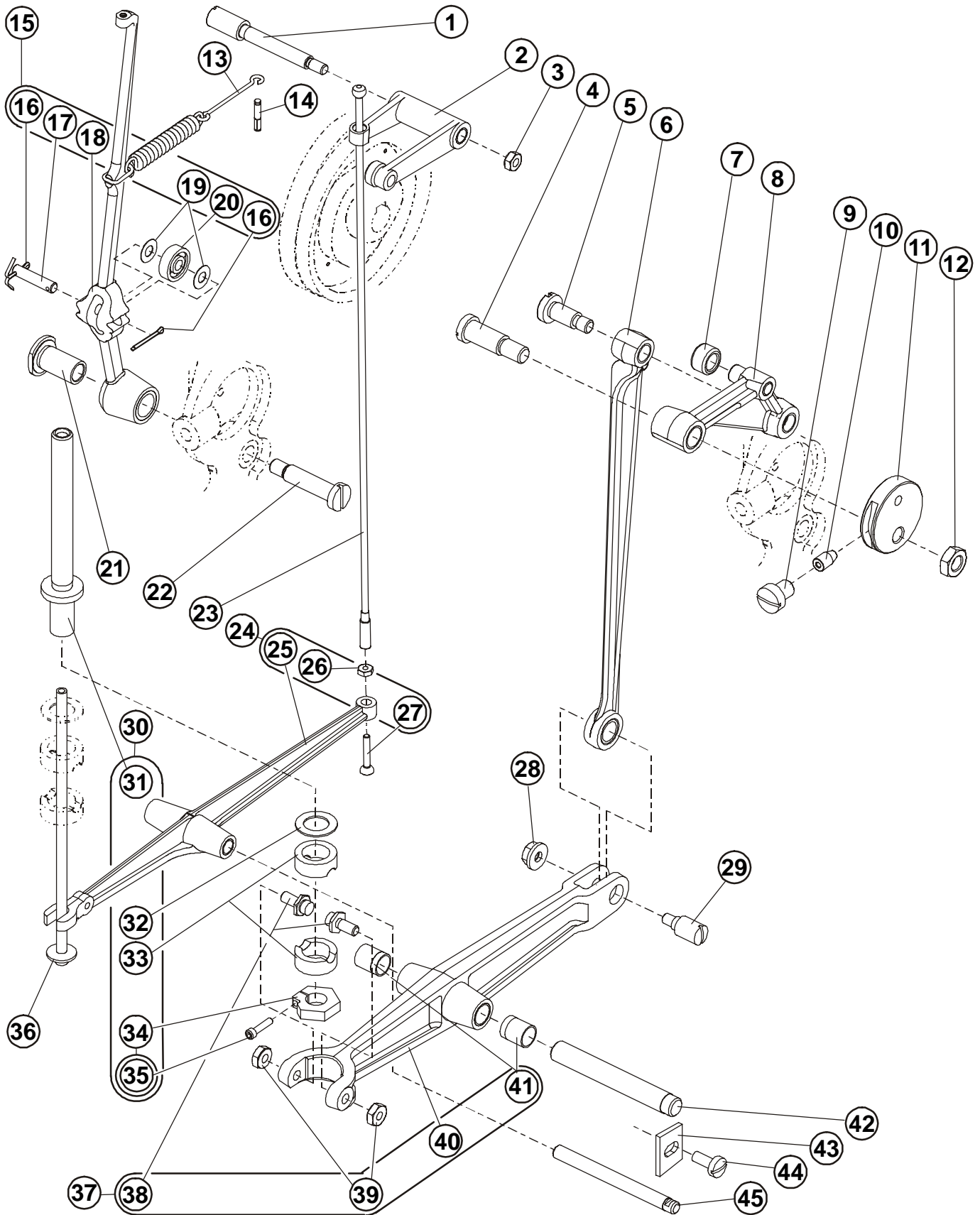
DET	PART NUMBER	DESCRIPTION	QTY.
51	01.4013.0.000	Washer	(2)
52	14.4013.1.000	Looper Link	(1)
53	01.7022.0.000	Bushing	(2)
54	01.1006.0.000	Screw	(2)
55	01.3001.0.000	Nut	1
56	10.4037.0.000	Stud	1
57	01.5027.0.000	Check Spring	1
58	10.4036.0.000	Check.Spring Arm	1
59	01.2081.0.000	Screw	1
60	10.4029.0.000	Stud	1
61	10.4032.0.000	Thin Disc	1
62	10.4031.0.000	Heavy Disc	1
63	01.5028.0.000	Spring	1
64	10.4030.0.000	Nut	1
65	01.2056.0.000	Screw	1
66	10.4012.0.004	Throat /Plate* AF-CB/CA-R-RE	1
67	See Page 3-22	Spreader Spindle	—
68	01.6004.0.000	Pin	(1)
69	14.4025.0.901	Gear	1
70	See Page 3-22	Spindle Looper	—
71	01.4081.0.005	Shim (.005")	1
	01.4081.0.006	Shim (.006")	
	01.4081.0.008	Shim (.008")	
	01.4081.0.009	Shim (.009")	
	01.4081.0.010	Shim (.010")	
	01.4081.0.011	Shim (.011")	
	01.4081.0.012	Shim (.012")	
72	01.3018.0.000	Nut	1
73	07.0401.0.000	Wick	1

Released 02/2005

E-mail: service@amfreece.cz; parts@amfreece.cz ; website: www.amfreece.com

Phones: +420 582 309 146 (Service), +420 582 309 286 (Spare Parts) ; Fax: +420 582 360 606

THREAD TAKE UP & LOOPER DRIVE



Released 02/2005

E-mail: service@amfreece.cz; parts@amfreece.cz ; website: www.amfreece.com

Phones: +420 582 309 146 (Service), +420 582 309 286 (Spare Parts) ; Fax: +420 582 360 606

THREAD TAKE UP & LOOPER DRIVE

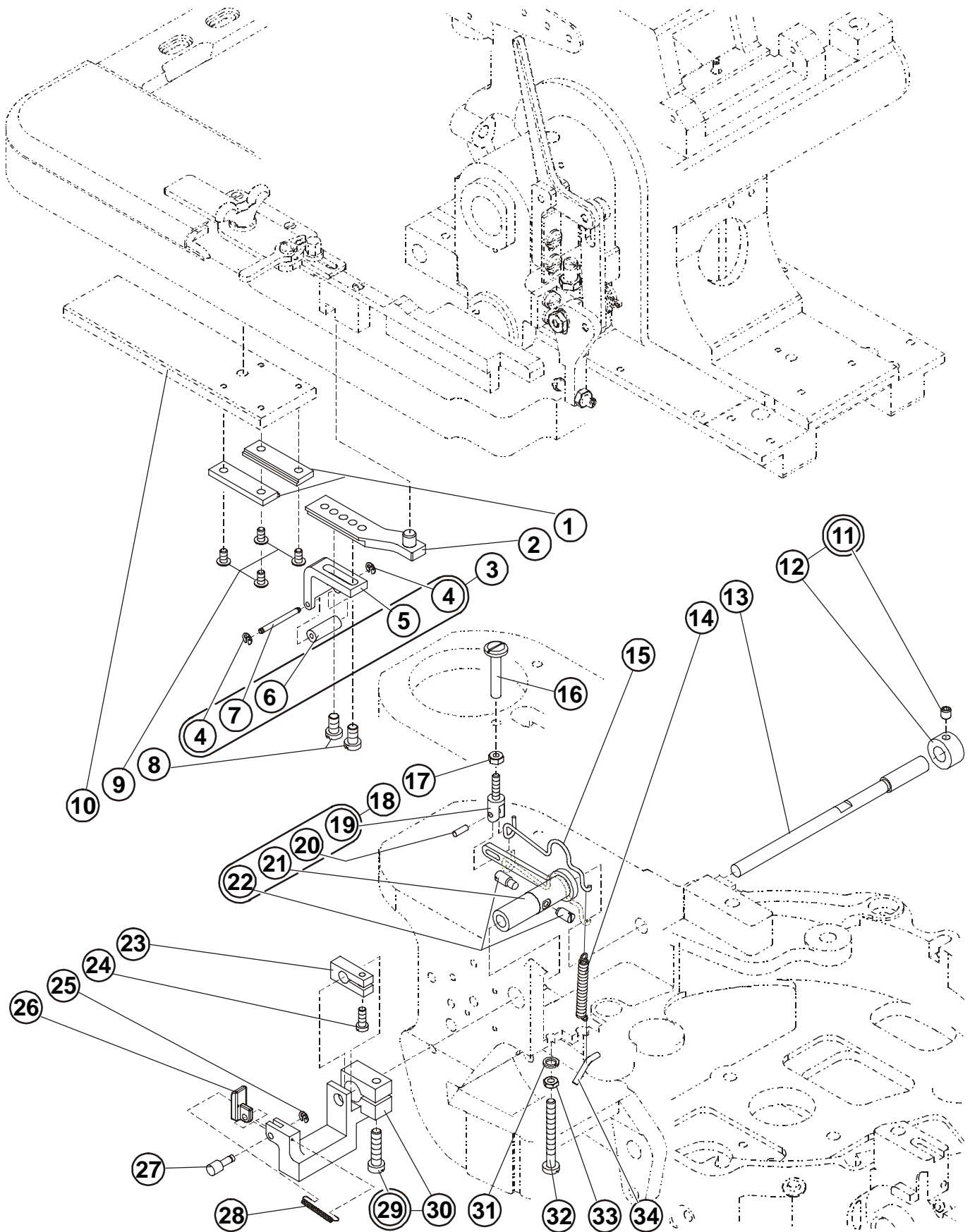
DET	PART NUMBER	DESCRIPTION	QTY.
01	14.1059.0.000	Pivot Pin	1
02	14.1058.0.000	Cam Follower	1
03	01.3005.0.000	Nut	1
04	01.1151.0.000	Screw	1
05	10.1066.2.000	Shoulder Screw	1
06	14.1067.0.000	Looper Link	1
07	10.1122.0.998	Roll (No.1) 12,710	1
	10.1122.0.999	Roll (No.2) 12,705	
	10.1122.0.997	Roll 12,954 Oversize	
08	14.1064.2.000	Looper Cam Follower Assembly	1
09	01.2063.0.000	Screw	1
10	10.1062.0.000	Jam Plug	1
11	14.1026.0.000	Core Disc	1
12	01.3400.0.000	Nut	1
13	01.5005.0.001	Spring Assembly	1
14	17.0031.1.401	Pin	1
15	14.1236.0.000	Take-Up Lever Assembly	1
16	10.1053.0.000	Cotter Pin	(2)
17	13.1052.0.001	Stud	(1)
18	—————	Take-Up Lever	(1)
19	01.4751.0.000	Washer	(2)
20	01.7630.0.001	Ball Bearing	(1)
21	10.1054.0.000	Pivot Bushing	1
22	10.1055.0.000	Pivot Screw	1
23	10.1060.2.000	Spreader Link	1
24	14.3004.0.051	Spreader Rocker Assembly	1
25	14.3004.0.000	Spreader Rocker	(1)
26	01.3025.0.000	Nut	(1)
27	10.1061.1.000	Bolt Tip	(1)
28	01.3010.0.000	Nut	1
29	10.3008.0.000	Screw	1
30	14.4022.0.051	Line Spindle Looper Assembly	1
31	14.4022.0.000	Spindle – Looper	(1)
32	01.4010.0.000	Washer	(1)
33	10.4024.0.000	Bearing Ring	(1)
34	14.4023.0.000	Adjustable –Collar	(1)
35	01.2419.0.001	Screw	((1))
36	10.4020.0.000	Spreader Spindle	1
37	14.3006.0.201	Looper Rocker Assembly *CB	1
38	10.3007.0.000	Bearing	(2)
39	01.3020.0.000	Nut	(2)
40	10.3006.0.090	Lever	(1)
41	01.7309.0.901	Bearing	(2)
42	14.3005.0.000	Pivot Pin	1
43	10.3002.0.000	Locking Plate	1
44	01.2041.0.000	Screw	1
45	14.3003.0.000	Pivot Pin	1

Released 10/2005

E-mail: service@amfreece.cz; parts@amfreece.cz ; website: www.amfreece.com

Phones: +420 582 309 146 (Service), +420 582 309 286 (Spare Parts) ; Fax: +420 582 360 606

UPPER THREAD TRIMMER



Released 02/2005

E-mail: service@amfreece.cz; parts@amfreece.cz ; website: www.amfreece.com
Phones: +420 582 309 146 (Service), +420 582 309 286 (Spare Parts) ; Fax: +420 582 360 606

UPPER THREAD TRIMMER

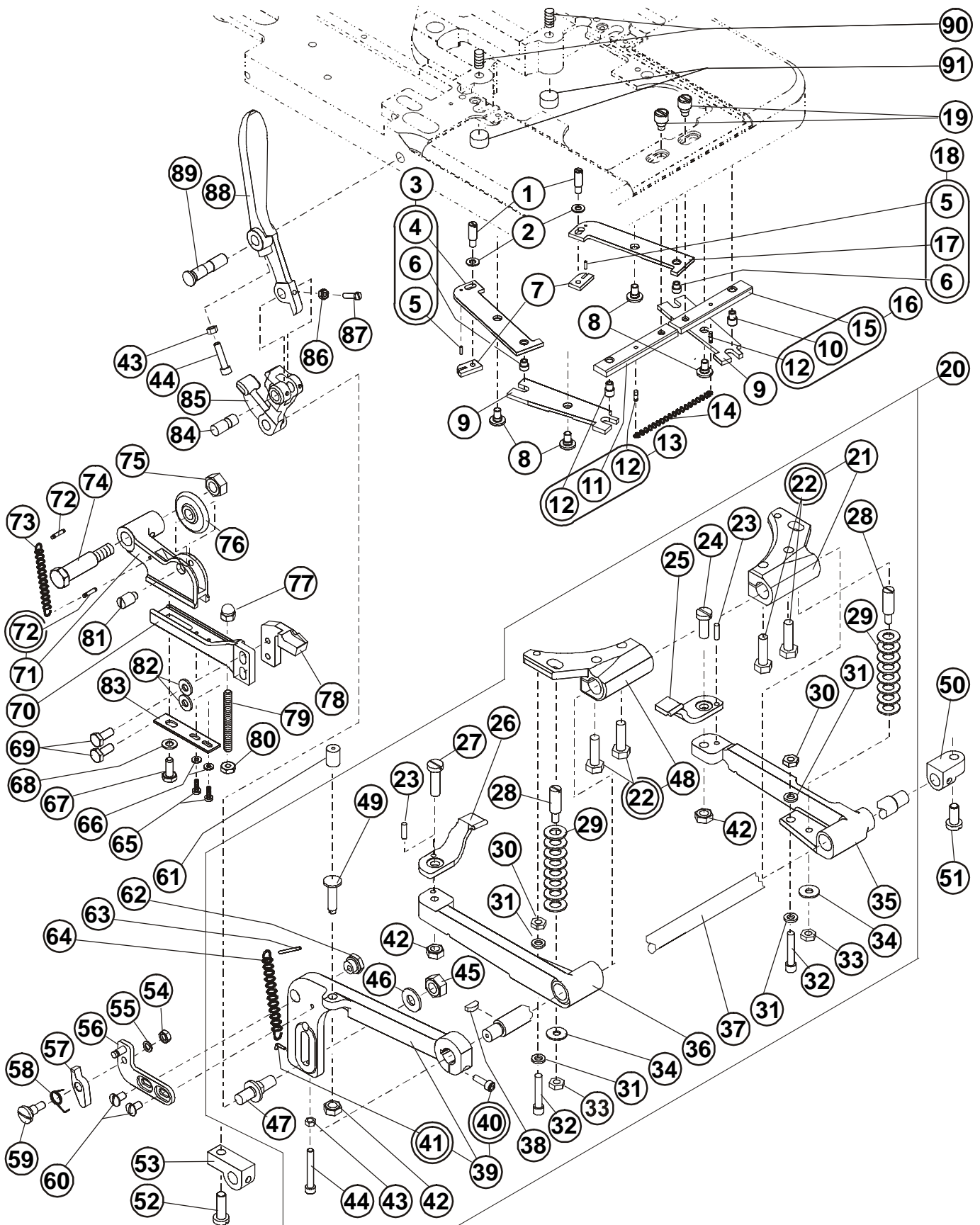
DET	PART NUMBER	DESCRIPTION	QTY.
01	10.2264.0.000	Rail	2
02	10.2263.0.000	Link	1
03	14.2069.0.050	Trip Bracket Assembly	1
04	01.6280.0.000	Retaining Ring	(2)
05	14.2069.0.000	Trip Bracket	(1)
06	14.2069.0.802	Trip Roller	(1)
07	01.6612.0.000	Pin	(1)
08	01.2175.0.000	Screw	2
09	01.1661.0.001	Screw	4
10	See Page 3-16	Cam Plate	—
11	01.7435.1.000	Collar+Screw	1
12	—	Screw	(1)
13	14.5019.0.000	Upper Thread Trimmer Shaft	1
14	01.5134.0.000	Spring	1
15	10.3086.0.000	Spring Hook Lever*AF	1
16	10.3206.0.000	Actuator	(1)
17	01.3016.0.000	Nut	(1)
18	14.3085.1.050	Trimming Lever Assembly* AF	1
19	10.3205.0.000	Clevis	(1)
20	01.6010.0.000	Pin	(1)
21	—	Trimming Lever Assembly	(1)
22	10.3203.0.000	Stop Block	(2)
23	14.3088.0.000	Clamp	1
24	01.2144.0.000	Screw	1
25	01.6368.0.000	Retaining Ring	1
26	10.3089.2.000	Latch	1
27	01.6528.0.000	Pivot	1
28	01.5433.0.000	Spring	1
29	01.2171.0.000	Screw	(1)
30	14.3087.0.000	Actuator	1
31	01.4407.0.000	Washer	1
32	01.2247.0.004	Screw	1
33	01.3001.0.000	Nut	1

Released 02/2005

E-mail: service@amfreece.cz; parts@amfreece.cz ; website: www.amfreece.com

Phones: +420 582 309 146 (Service), +420 582 309 286 (Spare Parts) ; Fax: +420 582 360 606

CLAMP YOKE ASSEMBLY



Released 02/2005

E-mail: service@amfreece.cz; parts@amfreece.cz; website: www.amfreece.com

Phones: +420 582 309 146 (Service), +420 582 309 286 (Spare Parts); Fax: +420 582 360 606

CLAMP YOKE ASSEMBLY

DET	PART NUMBER	DESCRIPTION	QTY.
01	10.2042.0.000	Screw	2
02	01.4067.0.000	Washer	2
03	10.2039.0.000	L.H. Rear Link Assembly	1
04	14.2039.0.801	L.H. Rear Link	(1)
05	01.6555.0.000	Pin	(2)
06	01.6075.0.000	Pin	(2)
07	10.2041.0.000	Locking Plate	2
08	01.1021.0.000	Screw	4
09	10.2036.0.000	Front Link	2
10	01.6074.0.000	Pin	(2)
11	10.2033.0.801	R.H. Slide Clamp	(1)
12	01.6839.0.001	Pin	2
13	10.2034.0.000	L.H. Clamp Slide Assembly	1
14	01.5023.0.000	Spring	1
15	10.2034.0.801	L.H. Slide Clamp	(1)
16	10.2033.0.000	R.H. Clamp Slide Assembly	1
17	14.2040.0.901	R.H. Rear Link	(1)
18	14.2040.0.000	R.H. Rear Link Assembly	1
19	01.1020.1.000	Screw	2
20	14.2026.0.050	Compresing Clamp Assembly	1
21	14.2026.0.002	Clamp Arm Toggle	(1)
22	01.1686.0.401	Screw	((4))
23	—	Pin	(2)
24	01.2539.0.001	Screw	(1)
25	10.2027.1.000	R.H. Pull Down	(1)
26	10.2028.1.000	L.H. Pull Down	(1)
27	01.2539.0.000	Screw	(1)
28	01.1238.0.000	Stud	(2)
29	01.4121.0.000	Washer	(4)
30	01.3404.0.000	Nut	(2)
32	03.6000.0.216	Screw	(2)
33	01.3404.0.000	Nut	(2)
34	01.4559.0.000	Washer	(2)
35	14.2026.0.005	LH. Clamp Yoke	(1)
36	14.2026.0.006	R.H. Clamp Yoke	(1)
37	14.2024.0.000	Shaft	(1)
38	01.8404.0.001	Key	(1)
39	14.2023.0.000	Toggle Bracket	(1)
40	01.2412.0.000	Screw	((1))
41	01.6006.0.000	Pin	((1))
42	01.3007.0.000	Nut	(3)
43	01.3001.0.000	Nut	(2)
44	01.2482.0.000	Screw	(2)
45	01.3013.0.000	Nut	(1)
46	01.4005.0.000	Washer	(1)
47	10.2024.0.000	Stud	(1)
48	14.2026.0.003	Clamp Arm Toggle	(1)
49	13.2086.0.000	Adjusting Screw	(1)
50	10.2025.0.017	Clamp Yoke Bearing* AF	1

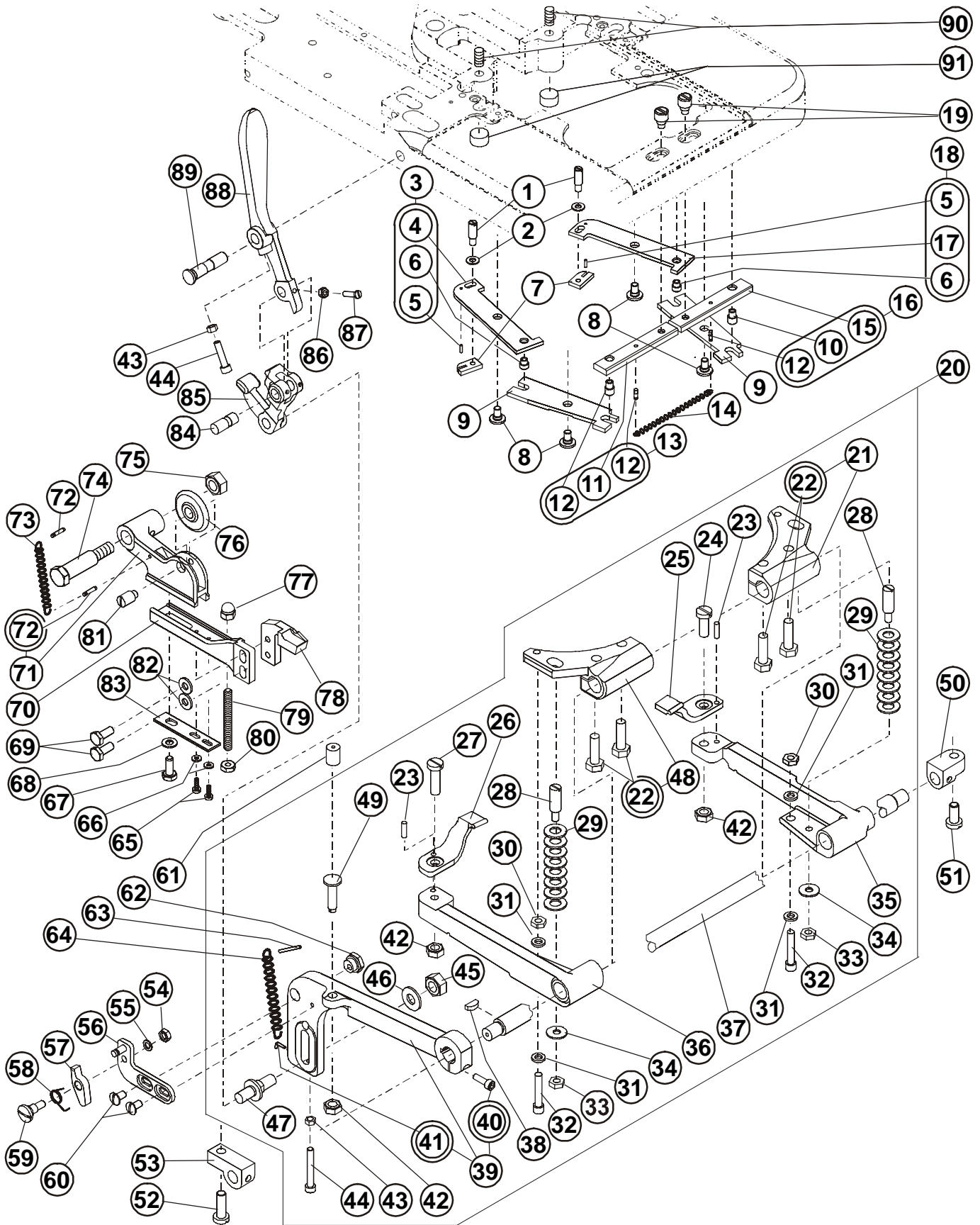
Released 10/2005

E-mail: service@amfreece.cz; parts@amfreece.cz ; website: www.amfreece.com

Phones: +420 582 309 146 (Service), +420 582 309 286 (Spare Parts) ; Fax: +420 582 360 606



CLAMP YOKE ASSEMBLY



Released 02/2005

E-mail: service@amfreece.cz; parts@amfreece.cz; website: www.amfreece.com

Phones: +420 582 309 146 (Service), +420 582 309 286 (Spare Parts); Fax: +420 582 360 606

CLAMP YOKE ASSEMBLY



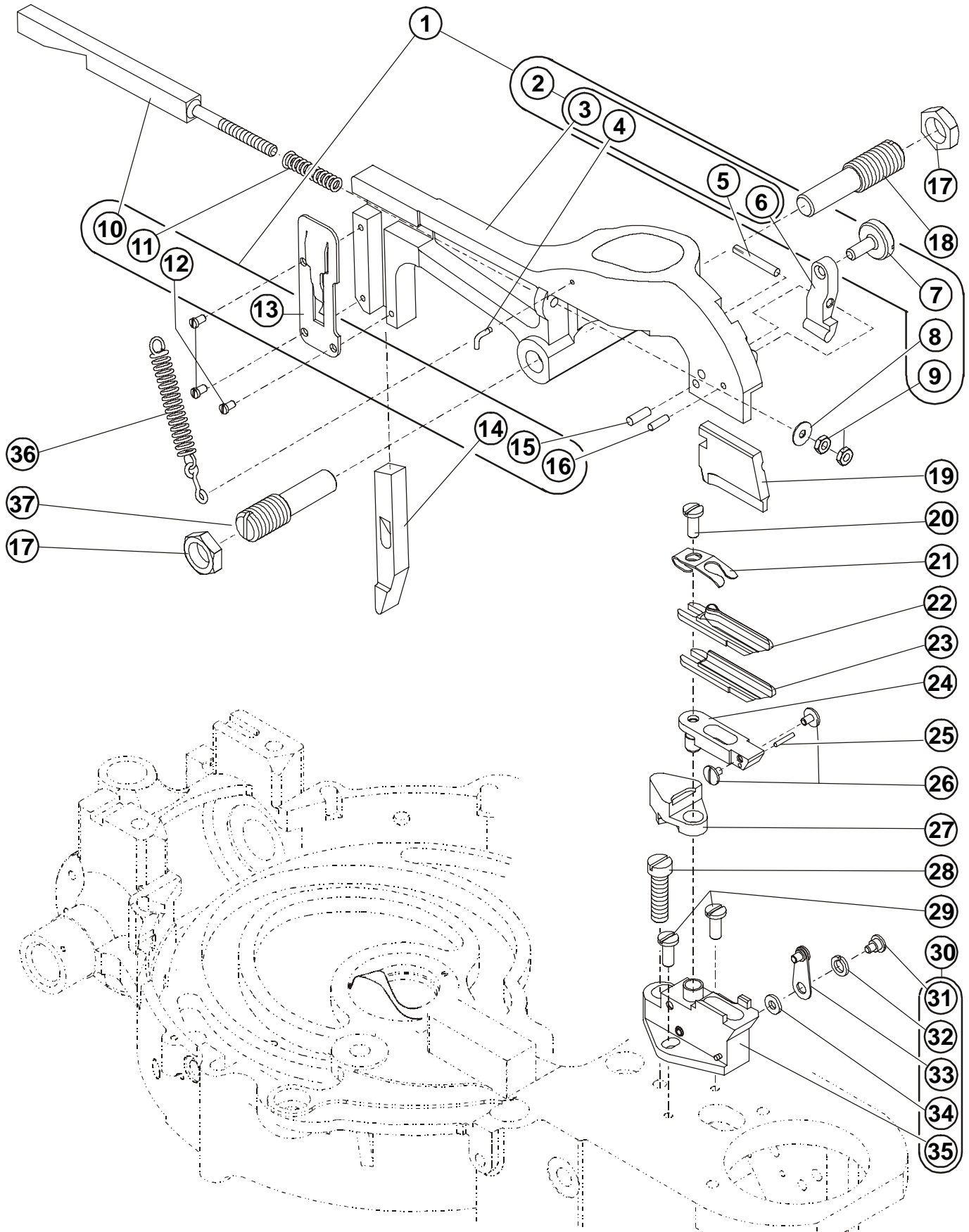
DET	PART NUMBER	DESCRIPTION	QTY.
51	01.2046.0.000	Screw	1
52	01.2046.0.000	Screw	1
53	10.2025.0.000	Clamp Yoke Bearing	1
54	01.3005.0.000	Nut	1
56	10.2074.0.000	Bracket	1
57	10.2075.0.000	Latch	1
58	01.5475.0.000	Spring	1
59	01.1457.0.000	Screw	1
60	01.2344.0.000	Screw	2
61	13.2087.1.000	Bumper	1
62	13.2088.0.000	Eccentric Nut	1
63	12.1010.0.220	Pin	1
64	01.5013.0.000	Spring	1
65	01.2241.0.002	Screw	2
66	01.4029.0.000	Washer	2
67	01.1601.0.001	Screw	2
68	01.4063.0.000	Washer	1
69	01.1601.0.007	Screw	2
70	13.3022.1.023	Extension	1
71	13.3023.0.000	Clamping Lever Assembly	1
72	01.6014.0.000	Pin	1+(1)
73	01.5015.0.000	Spring	1
74	01.1076.0.000	V Bolt	1
75	01.3414.0.000	Nut	1
76	14.3025.0.000	Roller	1
77	05.0144.0.000	Nut Plastik Acorn	1
78	13.3131.0.000	Tip	1
79	01.1649.0.004	Pivot Screw	1
80	01.3415.0.000	Nut	1
81	10.3026.0.000	Toggle Lever Stud	1
82	01.4445.0.000	Washer	2
83	13.3094.2.000	Slide	1
84	10.2022.0.000	Pivot Stud	1
85	13.2021.0.023	Toggle Lever	1
86	01.3016.0.000	Nut	1
87	01.2045.0.000	Screw	1
88	10.2019.0.000	Clamping Lever	1
89	10.2020.0.000	Pivot Pin	1
90	01.2981.0.001	Screw	2
91	14.2009.0.000	Support Button	2

Released 10/2005

E-mail: service@amfreece.cz; parts@amfreece.cz ; website: www.amfreece.com

Phones: +420 582 309 146 (Service), +420 582 309 286 (Spare Parts) ; Fax: +420 582 360 606

CUTTING LEVER ASSEMBLY



Released 02/2005

E-mail: service@amfreece.cz; parts@amfreece.cz ; website: www.amfreece.com
Phones: +420 582 309 146 (Service), +420 582 309 286 (Spare Parts) ; Fax: +420 582 360 606

CUTTING LEVER ASSEMBLY

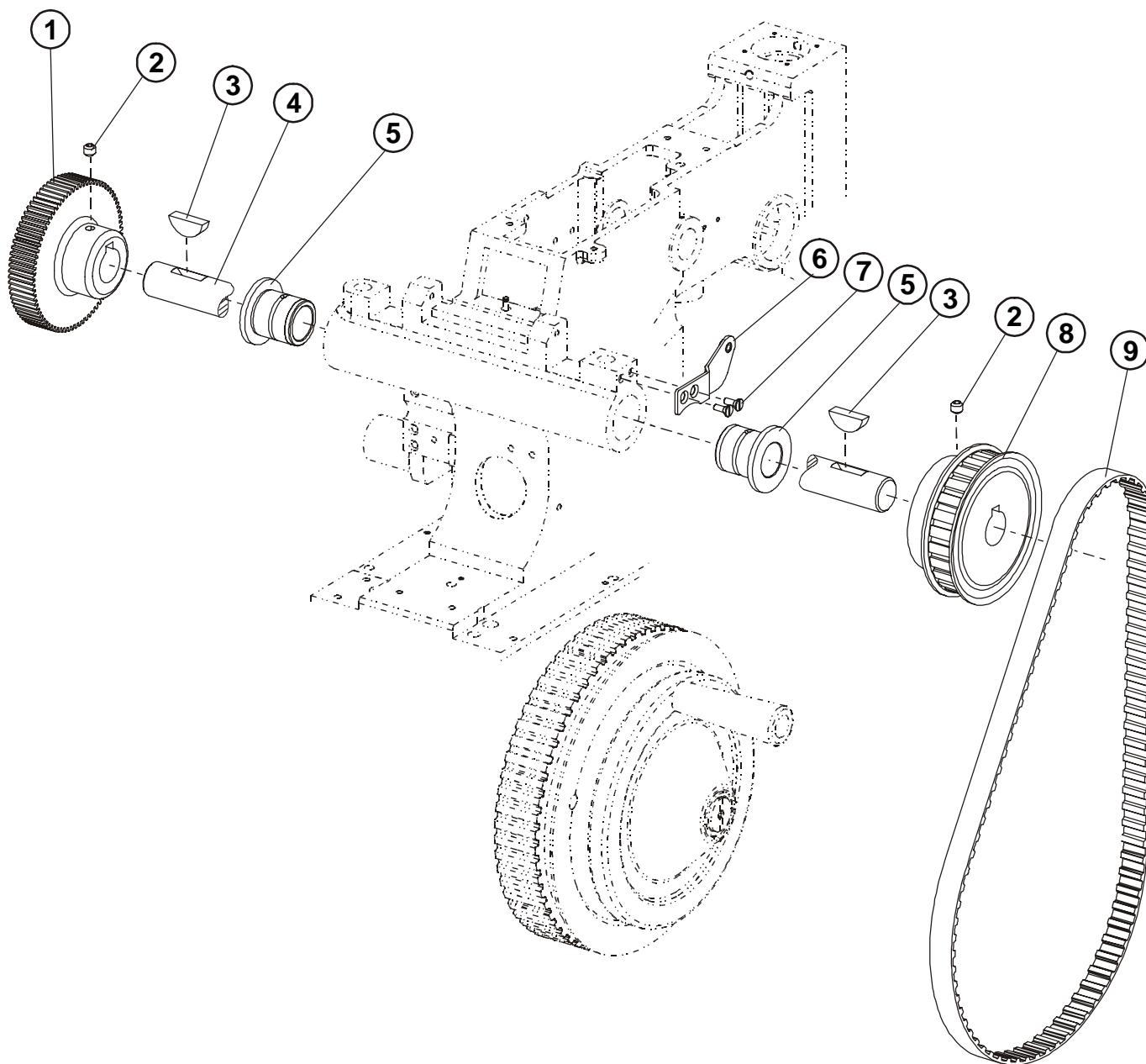
DET	PART NUMBER	DESCRIPTION	QTY.
01	14.8888.2.287	Cutting Lever Assembly	1
02	10.1068.1.050	Cutting Lever Assembly	((1))
03	10.1068.0.901	Cutting Lever* Machined	(1)
04	01.6560.0.000	Anchor	((1))
05	01.6837.0.000	Pin	((1))
06	10.1163.0.000	Clamp	((1))
07	01.1257.0.000	Screw	1
08	01.4001.0.000	Washer	(1)
09	01.3001.0.000	Nut	(2)
10	10.1072.0.000	Pressure Bar	(1)
11	01.5061.0.000	Spring	(1)
12	01.2013.0.000	Screw	(3)
13	10.1073.1.000	Cover Plate	(1)
14	10.1071.1.023	Cutting Cam Follower	(1)
15	01.6026.0.000	Pin	((1))
16	01.3010.0.000	Pin	((1))
17	01.3006.0.000	Nut	(2)
18	10.1074.0.000	L.H. Pivot Stud	(1)
19	10.1069.0.001	Cutting Steel* 1/2" Eye	1
	See Page 3-57	Cutting Steel* 3/4" Eye Cutting Steel* 1" Eye Cutting Steel* 1-1/4" Eye	—
	01.2039.0.000	Screw	1
	10.3074.0.011	Cloth Lifting Spring*CB	1
22	10.3072.0.024	Knife	1
23	See Page 3-57	Knife	1
24	10.3071.1.250	Knife Pad	1
25	01.6036.0.000	Pin	1
26	01.2102.0.000	Screw	2
27	10.3067.4.254	Spreading Block	1
28	01.2038.0.000	Screw	1
29	01.2039.0.000	Screw	2
30	10.3070.0.251	Knife Holder Assembly	1
31	01.1130.0.000	Screw	(1)
32	01.4003.0.000	Washer	(1)
33	01.5173.0.000	Spring	(1)
34	01.4029.0.000	Washer	(1)
35	10.3070.0.250	Knife Holder	(1)
36	01.5006.0.001	Spring	1
37	10.1074.0.250	R.H. Pivot Stud	1

Released 02/2005

E-mail: service@amfreece.cz; parts@amfreece.cz; website: www.amfreece.com

Phones: +420 582 309 146 (Service), +420 582 309 286 (Spare Parts); Fax: +420 582 360 606

STITCH DRIVE SHAFT ASSEMBLY



Released 02/2005

E-mail: service@amfreece.cz; parts@amfreece.cz ; website: www.amfreece.com

Phones: +420 582 309 146 (Service), +420 582 309 286 (Spare Parts) ; Fax: +420 582 360 606

STITCH DRIVE SHAFT ASSEMBLY

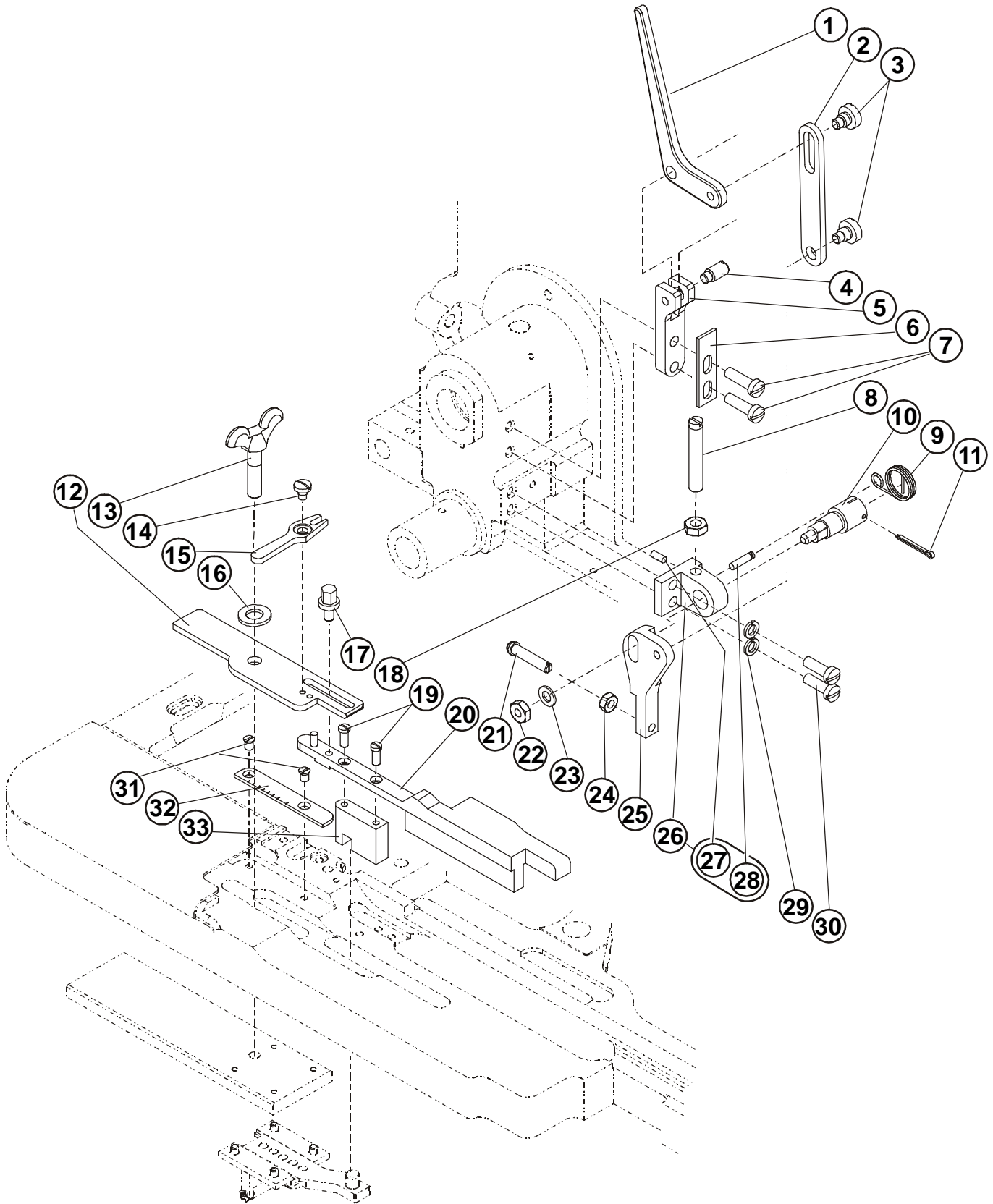
DET	PART NUMBER	DESCRIPTION	QTY.
01	13.1238.0.000	Super Gear	1
02	01.2849.0.002	Set Screw	2
03	01.8413.0.000	Key	2
04	13.1237.0.000	Stitch Drive Shaft	1
05	13.1231.2.000	Bushing	2
06	13.0528.0.001	L.H. Bracket Assembly	1
07	01.1739.0.101	Screw	2
08	13.1239.0.000	Stitch Drive Pulley	1
09	05.1103.0.000	Timing Belt	1

Released 02/2005

E-mail: service@amfreece.cz; parts@amfreece.cz ; website: www.amfreece.com

Phones: +420 582 309 146 (Service), +420 582 309 286 (Spare Parts) ; Fax: +420 582 360 606

LENGTH GAUGE



Released 02/2005

E-mail: service@amfreece.cz; parts@amfreece.cz ; website: www.amfreece.com

Phones: +420 582 309 146 (Service), +420 582 309 286 (Spare Parts) ; Fax: +420 582 360 606

LENGTH GAUGE

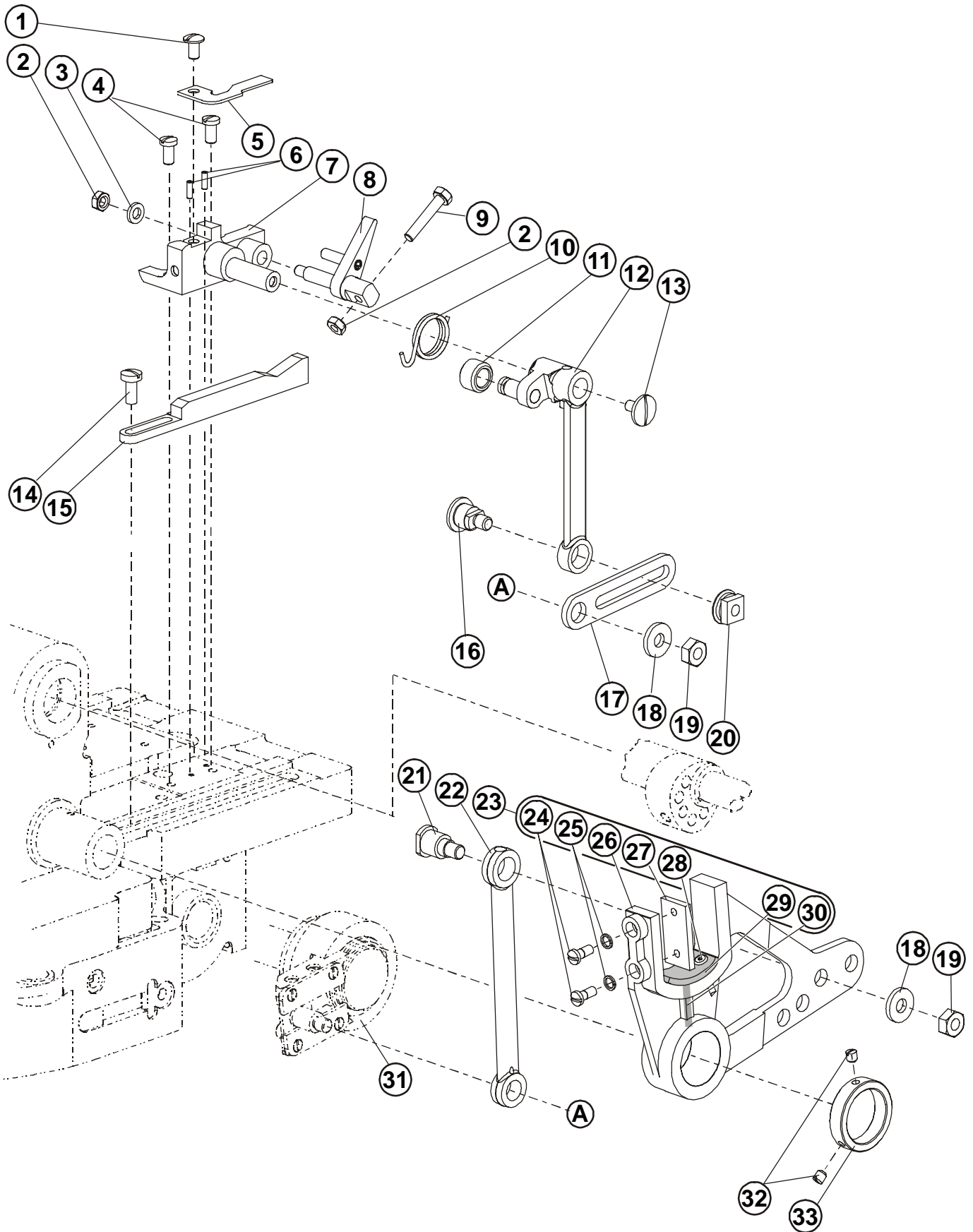
DET	PART NUMBER	DESCRIPTION	QTY.
01	13.1235.0.001	Upper Lever	1
02	13.1235.0.003	Sliding Lever	1
03	13.1235.0.005	Screw	2
04	13.1235.0.004	Screw	1
05	13.1235.0.002	Yoke	1
06	13.1235.0.006	Stop	1
07	01.2886.0.002	Screw	2
08	01.2066.0.000	Screw	1
09	01.5088.0.000	Spring	1
10	10.1125.2.000	Stud	1
11	10.1053.0.000	Cotter Pin	1
12	10.2251.0.001	Lenght Plate* 7mm	1
13	14.2254.1.901	Wing Bolt Assembly	1
14	10.2252.0.000	Screw	1
15	10.2253.0.000	Tack Lever	1
16	01.4063.0.000	Washer	1
17	10.2250.1.000	Nut	1
18	01.3011.0.000	Nut	1
19	01.2084.0.000	Screw	2
20	10.2018.1.250	Lenght Gauge* Regular	1
21	10.1126.0.000	Screw	1
22	01.3020.0.000	Nut	1
23	08.6852.6.000	Washer	1
24	01.3005.0.000	Nut	1
25	13.1124.0.000	Trip Lever	1
26	10.1127.3.000	Trip Lever Bracket	1
27	01.6020.0.000	Pin	(1)
28	01.6833.0.002	Spring Anchor	(1)
29	01.4003.0.000	Washer	2
30	01.2041.0.000	Screw	2
31	01.2075.0.001	Screw	2
32	10.2261.0.030	Lenght Gauge* Inches	1
	10.2261.0.040	Lenght Gauge* Metric	
	14.2261.0.000	Lenght Gauge* ST.CT	
33	10.2262.0.000	Block	1

Released 02/2005

E-mail: service@amfreece.cz; parts@amfreece.cz ; website: www.amfreece.com

Phones: +420 582 309 146 (Service), +420 582 309 286 (Spare Parts) ; Fax: +420 582 360 606

STITCH FEED



Released 02/2005

E-mail: service@amfreece.cz; parts@amfreece.cz; website: www.amfreece.com

Phones: +420 582 309 146 (Service), +420 582 309 286 (Spare Parts); Fax: +420 582 360 606

STITCH FEED

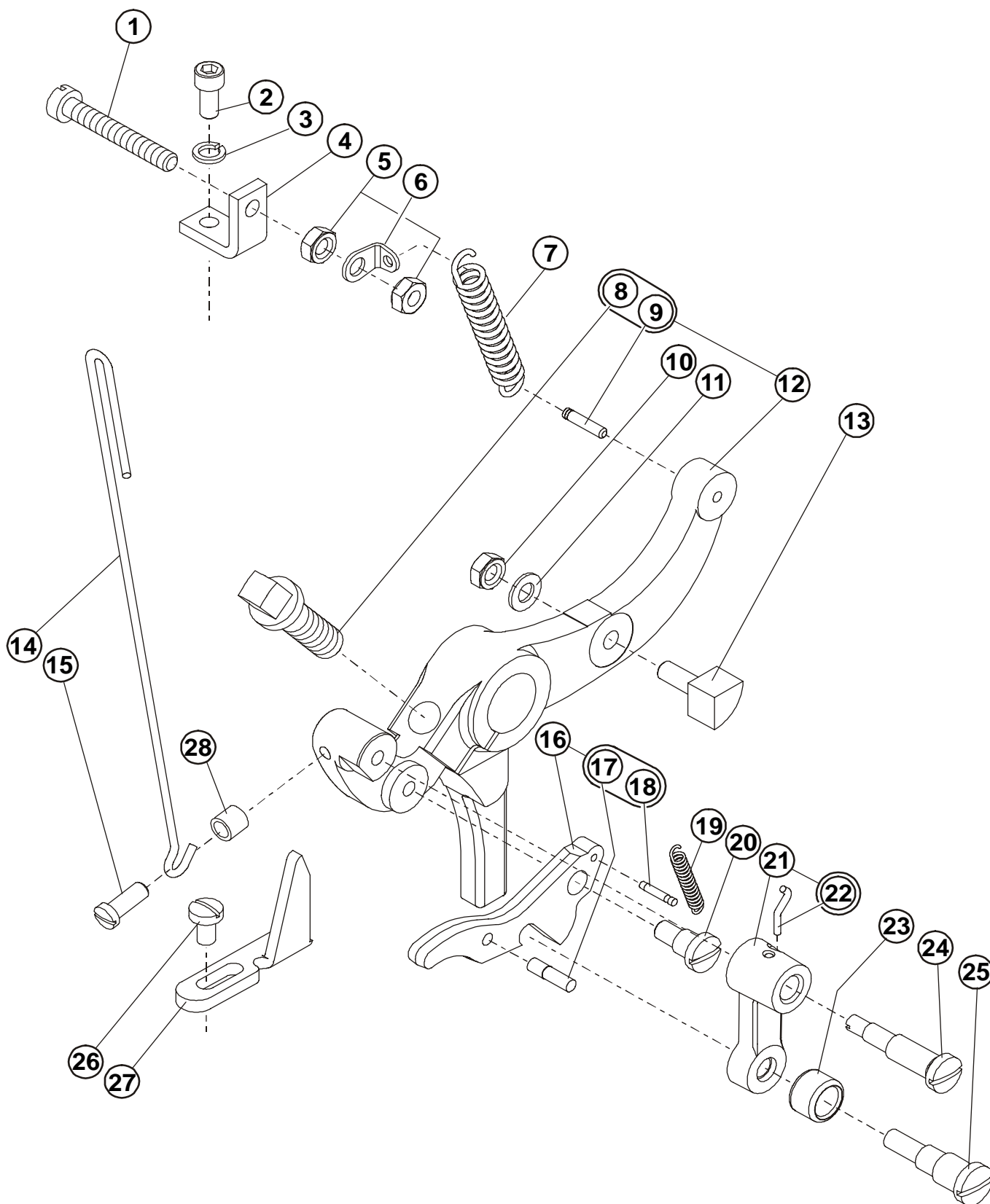
DET	PART NUMBER	DESCRIPTION	QTY.
01	01.2344.0.000	Screw	1
02	01.3005.0.000	Nut	2
03	01.4042.0.000	Washer	1
04	01.2130.0.000	Screw	2
05	01.5447.0.000	Spring	1
06	01.6428.0.000	Pin	2
07	10.1167.1.000	Shifter Block	1
08	10.1169.0.000	Shifter	1
09	01.2543.0.000	Screw	1
10	01.5448.0.000	Spring	1
11	10.2007.0.350	Roll	1
12	10.1168.0.000	Link	1
13	01.2146.0.000	Screw	1
14	01.2041.0.000	Screw	1
15	14.2061.0.100	Increase/Decrease Wedge	1
16	01.1028.0.000	Stud	1
17	10.3081.0.000	Arm	1
18	01.4503.0.000	Washer	2
19	01.3042.0.000	Nut	2
20	01.3019.0.000	Nut	1
21	01.1132.0.000	Screw	1
22	10.1109.3.000	Link	1
23	14.1108.0.050	Follower-Feed Cam Assembly	1
24	01.2022.0.000	Screw	(2)
25	01.4019.0.000	Spring Washer	(2)
26	14.1108.0.901	Feed Cam Follow	((1))
27	10.1107.0.801	Plate	(1)
28	12.4021.0.312	Rivet	(1)
29	14.1029.0.000	Feelt	(1)
30	07.0400.0.000	Wick	(1)
31	See Page 3-8	Feed Clutch Assembly	—
32	08.6400.5.305	Screw	2
33	01.7038.1.000	Collar	1

Released 02/2005

E-mail: service@amfreece.cz; parts@amfreece.cz ; website: www.amfreece.com

Phones: +420 582 309 146 (Service), +420 582 309 286 (Spare Parts) ; Fax: +420 582 360 606

THREE FORK LEVER



Released 07/2005

E-mail: service@amfreece.cz; parts@amfreece.cz ; website: www.amfreece.com

Phones: +420 582 309 146 (Service), +420 582 309 286 (Spare Parts) ; Fax: +420 582 360 606

THREE FORK LEVER

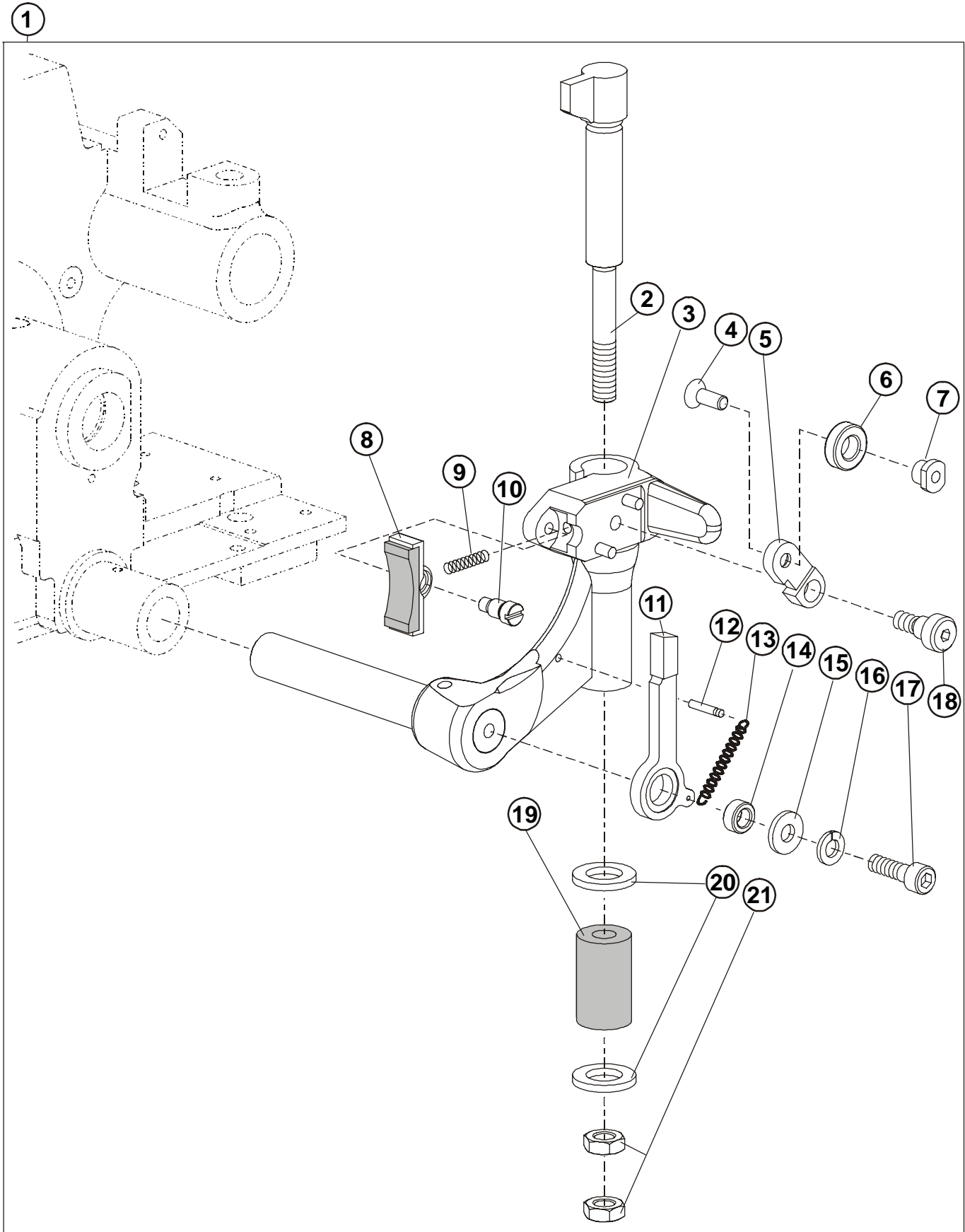
DET	PART NUMBER	DESCRIPTION	QTY.
01	01.1969.0.001	Screw	1
02	01.2412.0.000	Screw	1
03	01.4407.0.000	Lockwasher	1
04	14.1099.0.000	Spring Bracket	1
05	01.3001.0.000	Nut	2
06	14.5034.0.000	Cord Guide	1
07	01.5075.0.000	Spring	1
08	10.1114.1.000	Screw	(1)
09	12.1015.0.001	Anchor Pin	(1)
10	01.3005.0.000	Nut	1
11	01.4011.0.000	Washer	1
12	10.1113.0.000	Lever	1
13	10.1117.0.000	Dog	1
14	10.1083.0.000	Link	1
15	01.2321.0.000	Screw	1
16	10.1118.0.000	Lever Assembly	1
17	01.6166.0.000	Pin	(1)
18	01.6005.0.000	Anchor Pin	(1)
19	01.5014.0.000	Spring	1
20	10.1119.0.000	Screw	1
21	10.1120.0.000	Link	1
22	01.6030.0.000	Pin	(1)
23	10.1122.0.017	Rool	1
24	01.1095.0.000	Screw	1
25	10.1121.0.017	Stud	1
26	01.2042.0.000	Screw	1
27	10.2016.0.000	Bumper	1
28	10.1115.0.000	Spacer	1

Released 07/2005

E-mail: service@amfreece.cz; parts@amfreece.cz; website: www.amfreece.com

Phones: +420 582 309 146 (Service), +420 582 309 286 (Spare Parts); Fax: +420 582 360 606

ROCKING LEVER



Released 09/2005

E-mail: service@amfreece.cz; parts@amfreece.cz ; website: www.amfreece.com

Phones: +420 582 309 146 (Service), +420 582 309 286 (Spare Parts) ; Fax: +420 582 360 606

ROCKING LEVER

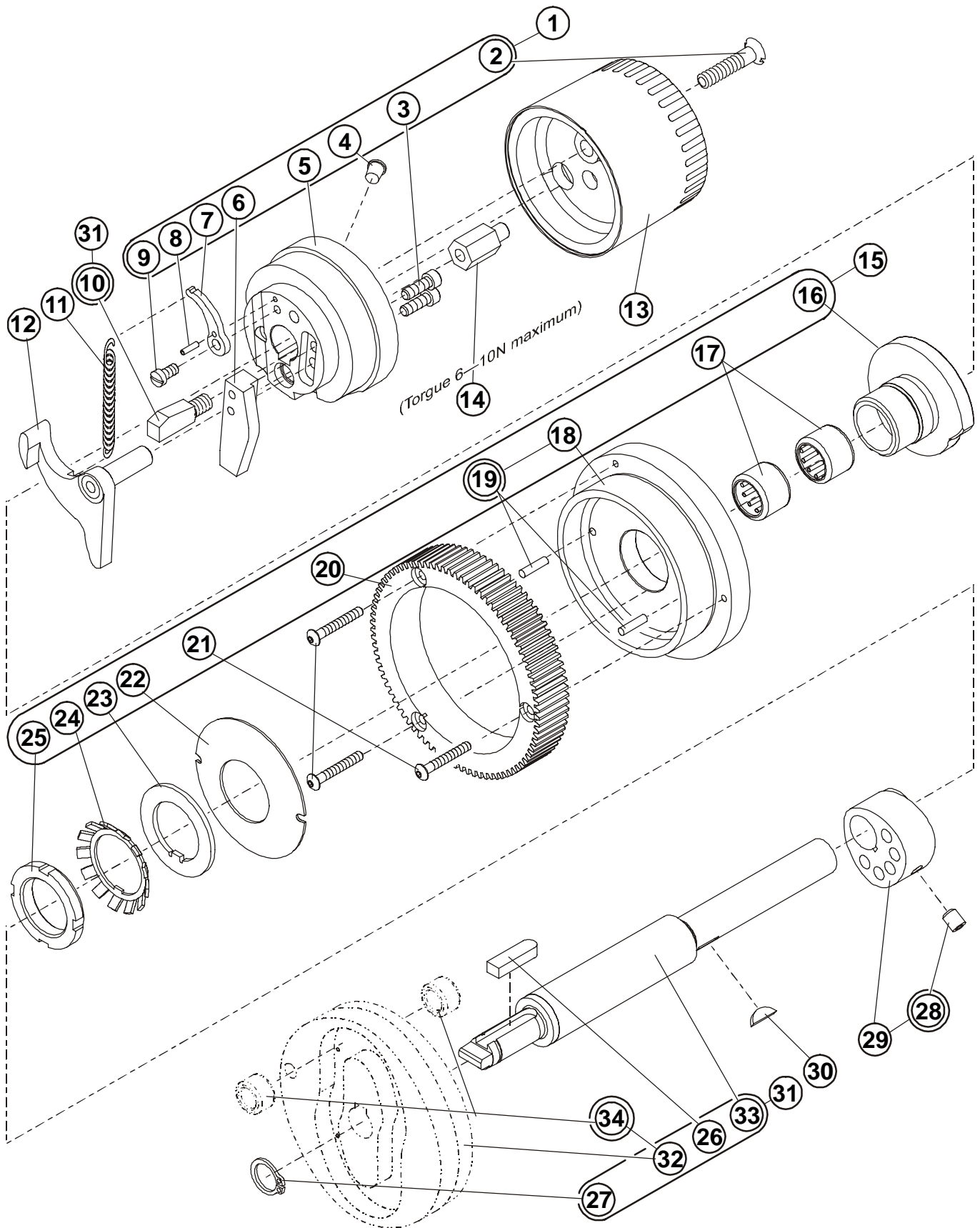
DET	PART NUMBER	DESCRIPTION	QTY.
01	16.1098.0.850	Line Rocking Lever Assembly	1
02	13.1099.1.000	Bolt	(1)
03	16.1098.0.050	Rocking Lever Assembly	(1)
04	17.0012.6.096	Screw	(1)
05	17.0061.2.415	Link	(1)
06	17.0041.8.400	Bearing	(1)
07	17.0016.3.400	Nut	(1)
08	17.0002.4.121	Brake Shoe	(1)
09	01.5003.0.000	Spring	(1)
10	01.1831.0.000	Screw	(1)
11	13.1100.0.000	Latch	(1)
12	01.6014.0.000	Anchor Pin	(1)
13	01.5011.0.000	Spring	(1)
14	17.1099.0.000	Bushing	(1)
15	17.0019.0.367	Washer	(1)
16	01.4004.0.000	Lockwasher	(1)
17	66.0001.3.000	Screw	(1)
18	07.6042.1.001	Shoulder Screw	(1)
19	01.5605.0.000	Elastomer Spring	(1)
20	01.4752.0.000	Washer	(2)
21	01.3400.0.000	Nut	(2)

Released 09/2005

E-mail: service@amfreece.cz; parts@amfreece.cz ; website: www.amfreece.com

Phones: +420 582 309 146 (Service), +420 582 309 286 (Spare Parts) ; Fax: +420 582 360 606

STOP WHEEL & STITCH DRIVE ASSEMBLY



Released 02/2005

E-mail: service@amfreece.cz; parts@amfreece.cz; website: www.amfreece.com

Phones: +420 582 309 146 (Service), +420 582 309 286 (Spare Parts); Fax: +420 582 360 606

STOP WHEEL & STITCH DRIVE ASSEMBLY

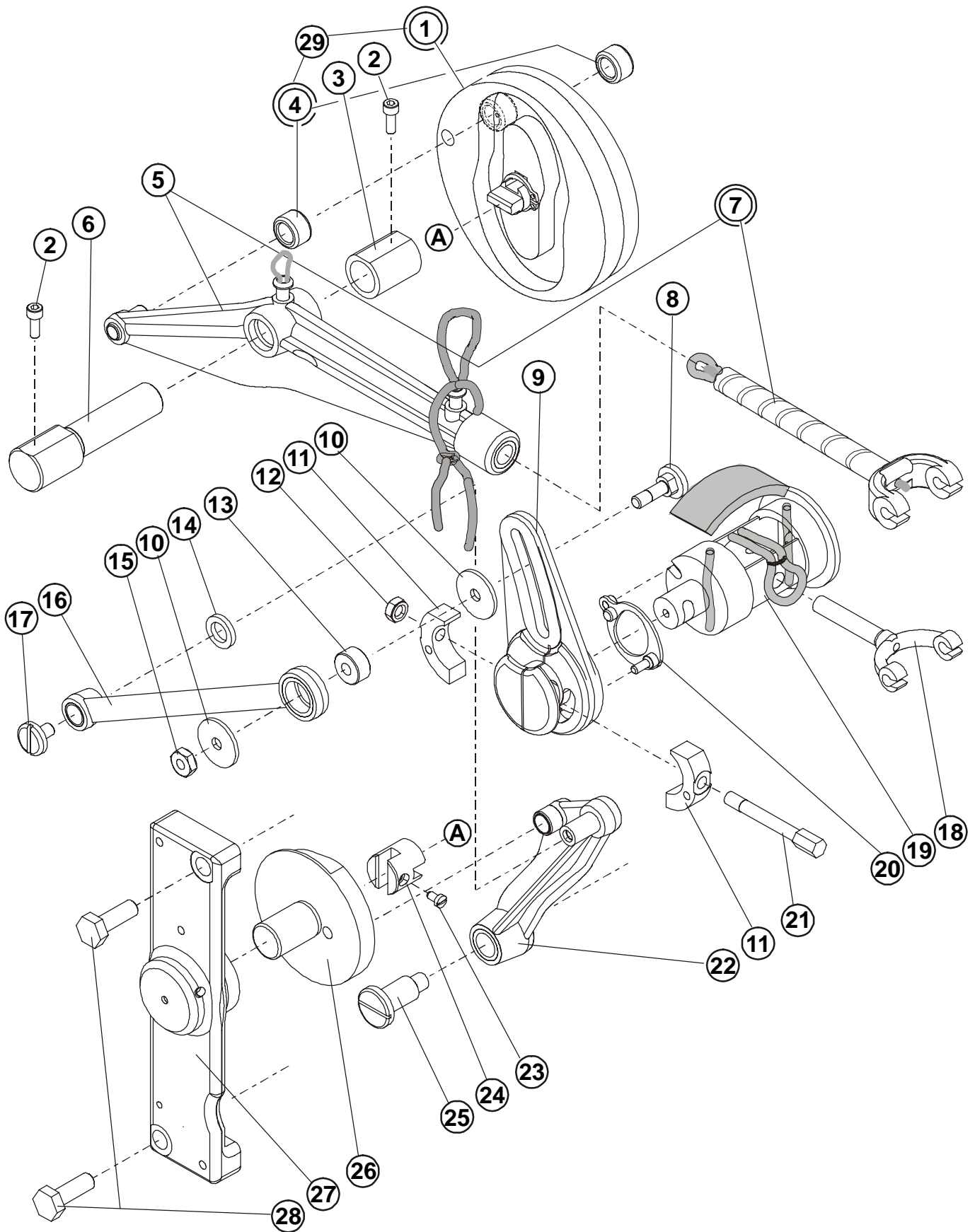
DET	PART NUMBER	DESCRIPTION	QTY.
01	17.1088.1.050	R.H. Stop Wheel Assembly	1
02	08.6100.6.050	Screw	(1)
03	08.6010.4.012	Screw M4x12	(2)
04	17.0004.7.253	Oiler	(1)
05	—	R.H. Stop Wheel	(1)
06	14.1155.1.000	Stop	(1)
07	10.1090.0.000	Spring Arm	(1)
08	12.1014.0.004	Roll Pin	(1)
09	08.6010.4.008	Screw M4x8	(1)
10	10.1097.1.000	Key	(1)
11	01.5606.0.000	Spring Assembly	(1)
12	14.1089.0.000	Clutch Dog Assembly	1
13	17.0051.0.066	Hand Grip	1
14	01.1986.0.000	Nut	1
15	13.1107.0.000	Clutch Drive Assembly	1
16	13.1105.1.000	Drive Cam	(1)
17	01.7667.0.000	Bearing	(2)
18	13.1106.0.000	Stitch Drive	(1)
19	01.6515.0.000	Pin	((2))
20	13.1232.0.000	Spur Gear	(1)
21	01.2712.0.000	Screw	(3)
22	13.1104.1.000	Spring Waher	(1)
23	01.4788.0.000	Keyed Washer	(1)
24	13.1103.0.000	Lockwasher	(1)
25	01.3596.0.000	Lock Nut	(1)
26	10.1091.1.803	Key	(1)
27	01.6384.0.000	Retaining Ring	(1)
28	01.1975.0.000	Screw	(1)
29	10.1093.2.000	Feed Cam Assembly	1
30	01.8002.0.000	Key	1
31	13.1091.1.000	Stich Cam/Shaft Assembly	1
32	See Page 3-44	Stitch Cam-104* Machin	(—)
33	10.1091.1.801	Shaft	(1)
34	See Page 3-44	Roll	((—))

Released 02/2005

E-mail: service@amfreece.cz; parts@amfreece.cz ; website: www.amfreece.com

Phones: +420 582 309 146 (Service), +420 582 309 286 (Spare Parts) ; Fax: +420 582 360 606

NEEDLE BAR DRIVE AND VIBRATOR



Released 02/2005

E-mail: service@amfreece.cz; parts@amfreece.cz; website: www.amfreece.com

Phones: +420 582 309 146 (Service), +420 582 309 286 (Spare Parts); Fax: +420 582 360 606

NEEDLE BAR DRIVE AND VIBRATOR

DET	PART NUMBER	DESCRIPTION	QTY.
01	13.1091.2.802	Stitch Cam-104* Machin	(1)
02	01.2413.0.000	Screw	2
03	13.1049.0.000	Bushing	1
04	See Chart	Roll	((2))
05	14.1047.0.050	Stitch Drive Lever Assembly	1
06	13.1050.0.000	Pivot Stud	1
07	14.1046.0.050	Yoke Assembly	(1)
08	10.1037.0.000	Stud	1
09	10.1038.2.000	Vibrator Crank	1
10	10.1039.0.000	Washer	2
11	10.1147.0.000	Clamp Block	2
12	01.3005.0.000	Nut	1
13	10.1040.0.000	Bushing	1
14	10.1024.0.002	Washer (Std.) .0779"-.0782"	1
	10.1024.0.001	Washer (O/S.) .0782"-.0785"	
	10.1024.0.003	Washer (O/S.) .0776"-.0779"	
15	01.3020.0.001	Nut	1
16	14.1041.0.000	Vibrator Drag Link	1
17	01.2011.0.000	Screw	1
18	10.1034.0.000	Vibrator Yoke	1
19	14.1035.0.050	Vibrator Barrel Assembly	1
20	10.1153.0.000	Adjustment Plate	1
21	13.1036.0.000	Bolt	1
22	14.1043.0.000	Vibrator Cam Follower	1
23	10.1031.0.000	Screw	1
24	10.1076.0.000	Coupling Block	1
25	10.1044.0.000	Screw	1
26	05.0531.0.001	Vibrator Cam	1
27	13.1188.0.000	Support - Cam	1
28	01.1639.0.000	Screw	2
29	See Page 3-42	Stich Cam/Shaft Assembly	—

Roll Chart						
DET	04					
	Dia.	Roll P/N	Size	Dia.	Roll P/N	Size
	.5000 +.0000 -.0003	10.1122.0.010	Std.	.5014 +.0000 -.0002	10.1122.0.012	#6 O.S.
	.5002 +.0000 -.0002	10.1122.0.999	#1 O.S.	.5018 +.0000 -.0002	10.1122.0.013	#7 O.S.
	.5004 +.0000 -.0002	10.1122.0.998	#2 O.S.	.5022 +.0000 -.0002	10.1122.0.014	#8 O.S.
	.5006 +.0000 -.0002	10.1122.0.980	#3 O.S.	.5026 +.0000 -.0002	10.1122.0.015	#9 O.S.
	.5010 +.0000 -.0002	10.1122.0.011	#5 O.S.	.5030 +.0000 -.0002	10.1122.0.016	#10 O.S.

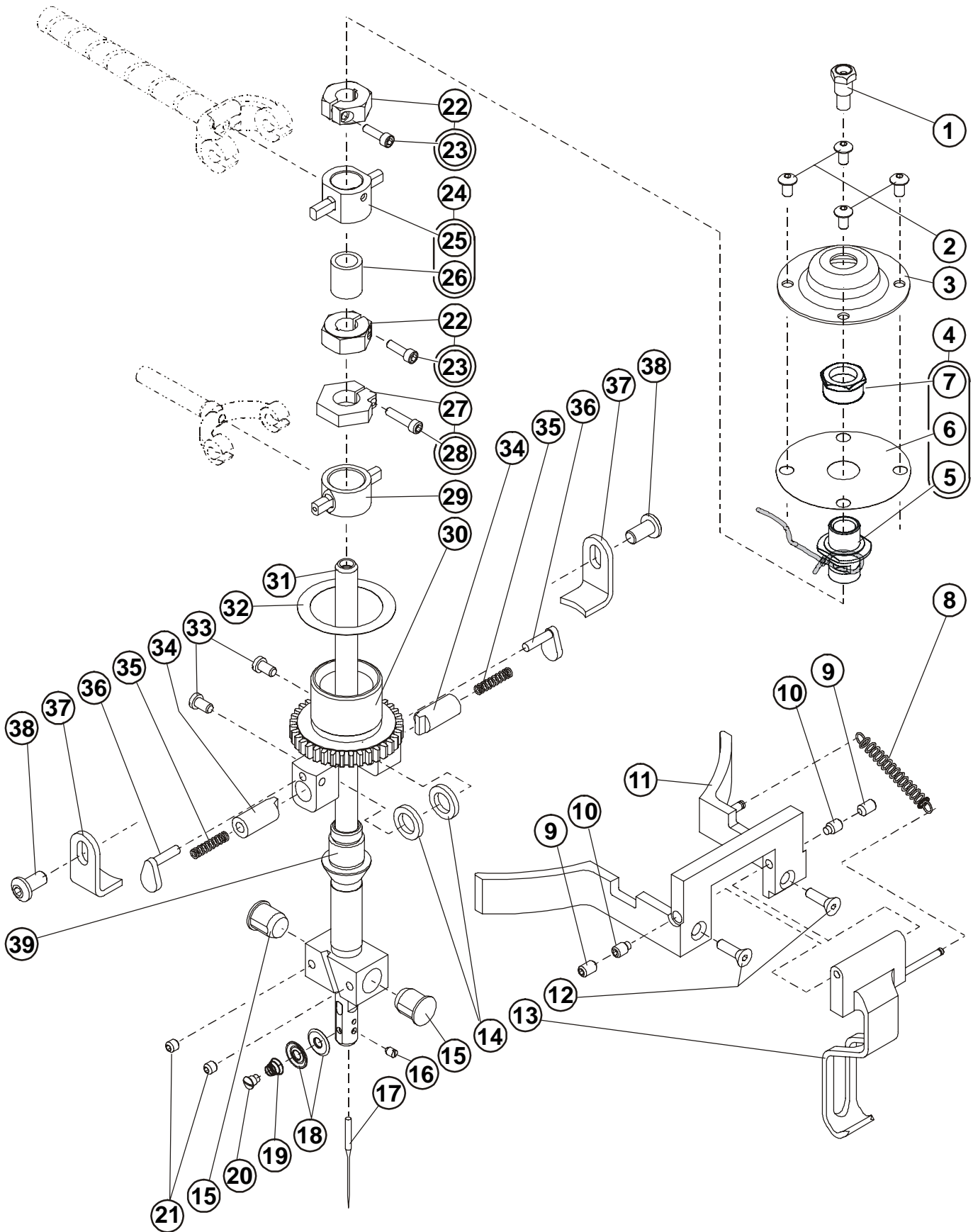
To be used on oversized cam slots

Released 02/2005

E-mail: service@amfreece.cz; parts@amfreece.cz ; website: www.amfreece.com

Phones: +420 582 309 146 (Service), +420 582 309 286 (Spare Parts) ; Fax: +420 582 360 606

NEEDLE BAR AND GEAR



Released 02/2005

E-mail: service@amfreece.cz; parts@amfreece.cz ; website: www.amfreece.com

Phones: +420 582 309 146 (Service), +420 582 309 286 (Spare Parts) ; Fax: +420 582 360 606

NEEDLE BAR AND GEAR

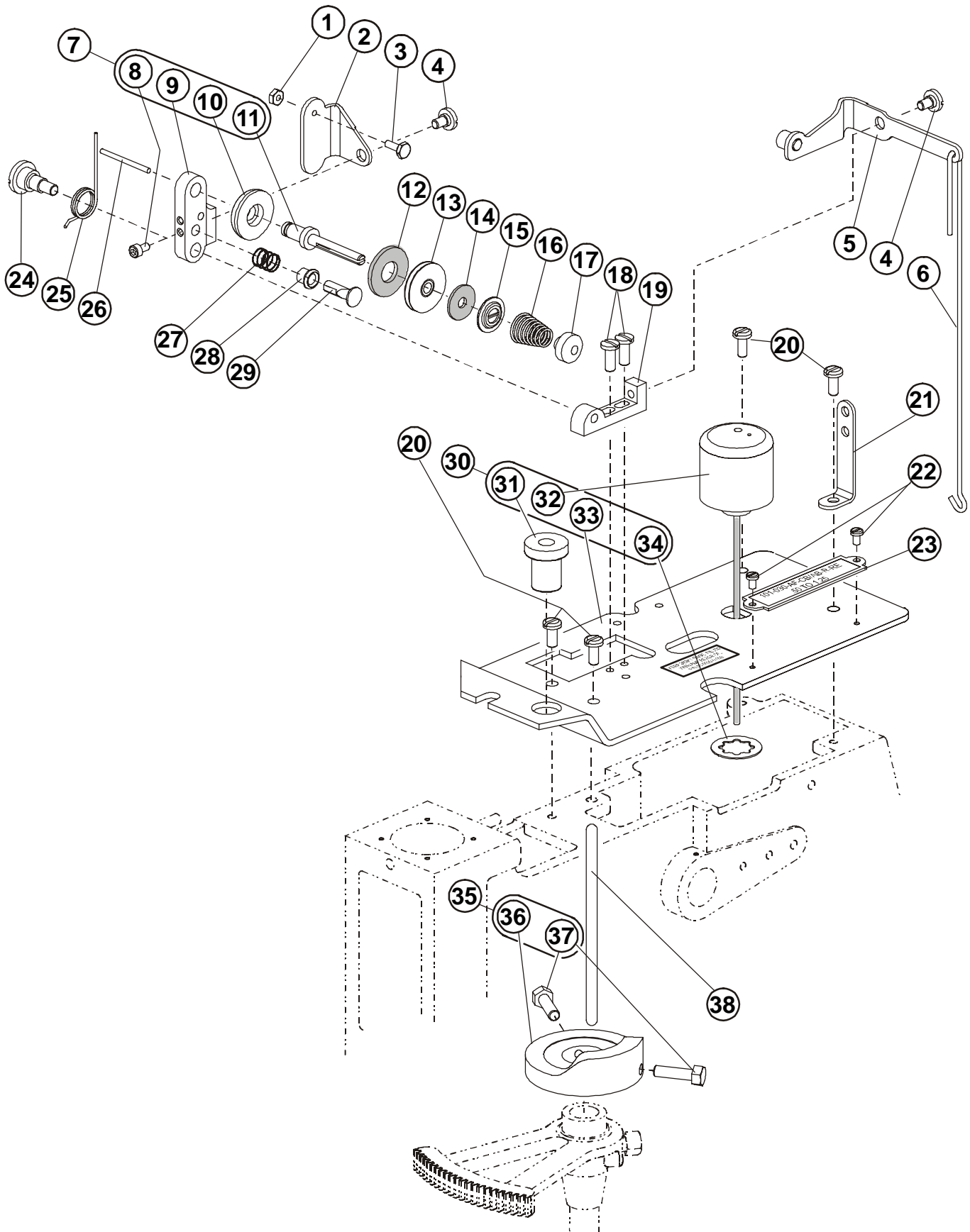
DET	PART NUMBER	DESCRIPTION	QTY.
01	10.1032.0.000	Bushing	1
02	01.1661.0.001	Screw	4
03	10.1014.1.000	Cap	1
04	14.1016.1.050	Needle Bar Guide Assembly	1
05	14.1017.0.000	Guide (w/Nut)	(1)
06	14.1042.0.000	Diaphragm	(1)
07	10.1016.2.000	Nut	(1)
08	01.5429.0.000	Spring	1
09	01.2557.0.001	Set Screw	2
10	01.1241.0.001	Set Screw	2
11	14.1258.1.000	Needle Guard Holder Assembly	1
12	01.2659.0.000	Screw	2
13	14.1252.1.000	Needle Guard Assembly	1
14	10.1024.0.002	Washer (Std.) .0779"-.0782"	2
	10.1024.0.001	Washer (O/S.) .0782"-.0785"	
	10.1024.0.003	Washer (O/S.) .0776"-.0779"	
15	14.1025.1.000	Needle Bar Button	2
16	01.2193.0.000	Screw	1
17	02.0501.0.111	Needle	1
18	10.1029.1.000	Tension Disc	2
19	01.5167.0.000	Spring	1
20	10.1030.0.017	Screw	1
21	01.1889.0.000	Screw	2
22	10.1027.1.050	Clamp Nut Kit	2
23	01.2419.0.000	Screw	(2)
24	14.9005.0.050	Assembly	2
25	10.1045.2.000	Gimbal	(2)
26	01.7015.0.000	Bushing	(2)
27	14.4023.0.000	Adjustable Collar	1
28	01.2419.0.001	Screw	(1)
29	10.1033.1.000	Gimbal	1
30	10.1023.3.000	Needle Bar Gear	1
31	14.1028.0.000	Needle Bar	1
32	01.4081.0.005	Shim (.005")	1
	01.4081.0.006	Shim (.006")	
	01.4081.0.008	Shim (.008")	
	01.4081.0.009	Shim (.009")	
	01.4081.0.010	Shim (.010")	
	01.4081.0.011	Shim (.011")	
01.4081.0.012	Shim (.012")		
33	01.2008.0.000	Screw	2
34	10.1022.0.000	Guide	2
35	01.5003.0.000	Spring	2
36	10.1021.2.000	Retainer Spring	2
37	14.1250.0.000	Needle Bar Gear Bracket	2
38	01.1983.0.000	Screw	2
39	14.1070.0.000	Block	1

Released 02/2005

E-mail: service@amfreece.cz; parts@amfreece.cz ; website: www.amfreece.com

Phones: +420 582 309 146 (Service), +420 582 309 286 (Spare Parts) ; Fax: +420 582 360 606

THREAD HANDLING

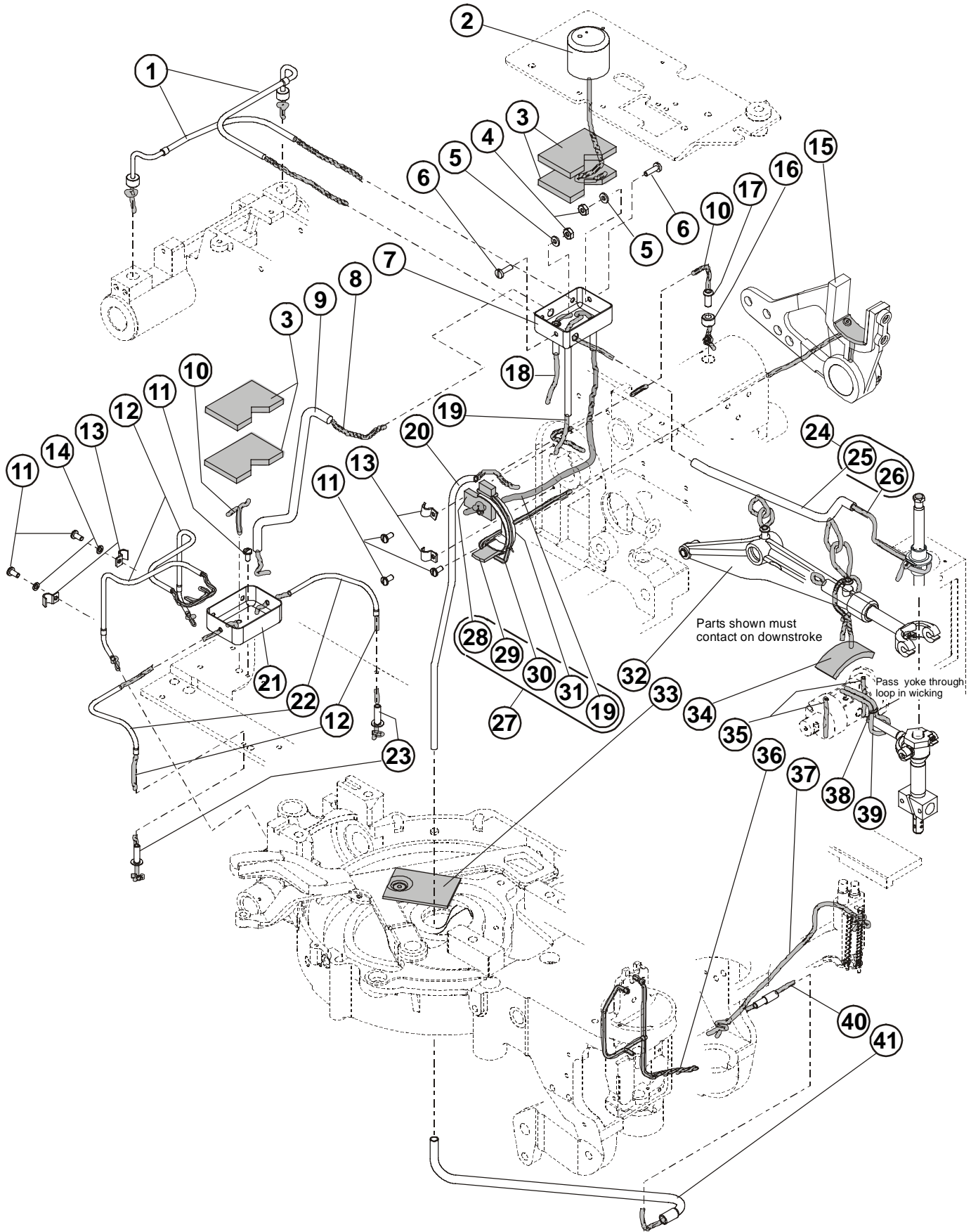


Released 02/2005

E-mail: service@amfreece.cz; parts@amfreece.cz; website: www.amfreece.com

Phones: +420 582 309 146 (Service), +420 582 309 286 (Spare Parts); Fax: +420 582 360 606

OILING SYSTEM



Released 02/2005

E-mail: service@amfreece.cz; parts@amfreece.cz ; website: www.amfreece.com
Phones: +420 582 309 146 (Service), +420 582 309 286 (Spare Parts) ; Fax: +420 582 360 606

OILING SYSTEM

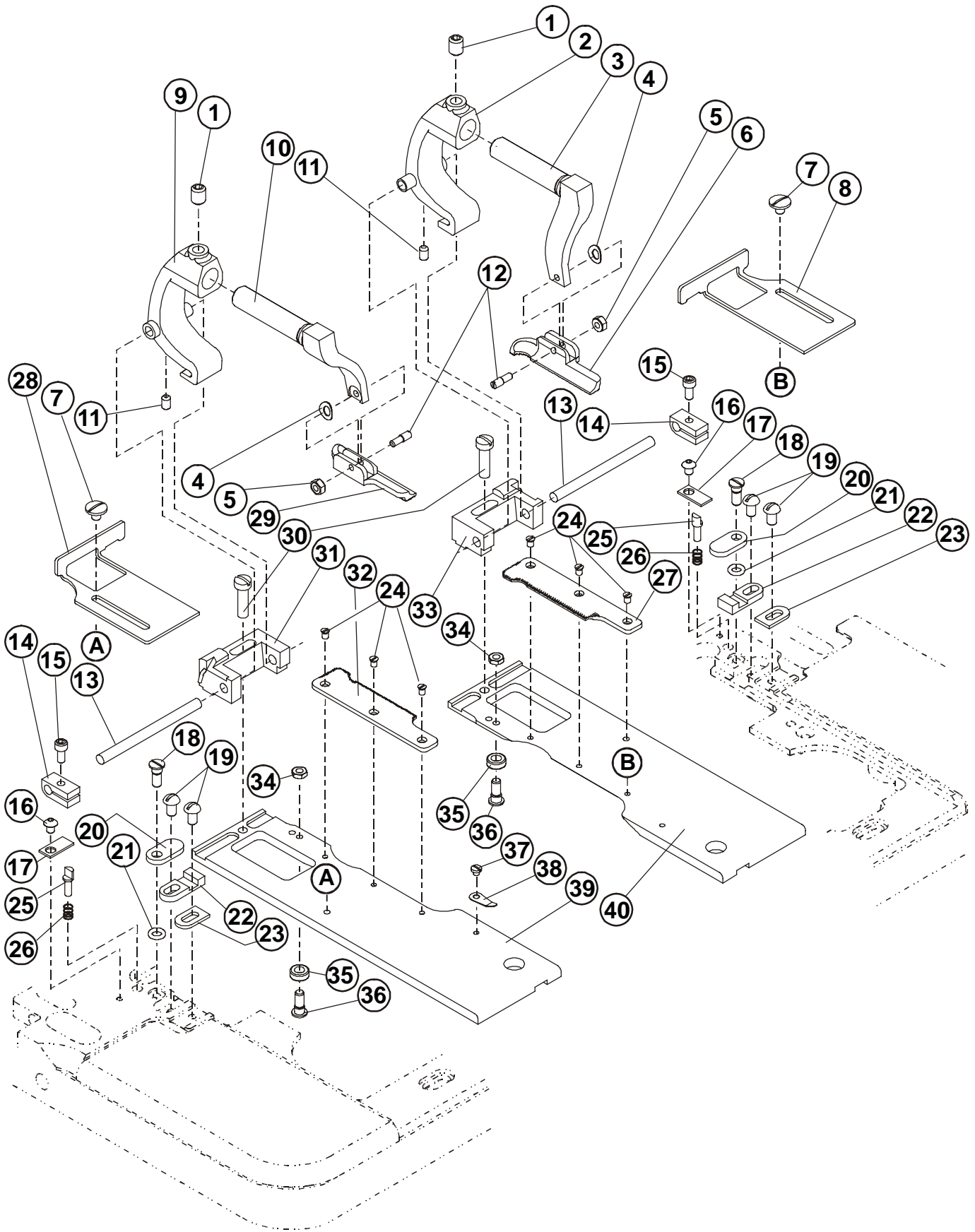
DET	PART NUMBER	DESCRIPTION	QTY.
01	14.1030.0.000	Wick Assembly	2
02	See Page 3-48	Sight Gase Assembly	—
03	14.1003.0.000	Reservoir Oil Pad	4
04	01.3401.0.000	Nut	2
05	01.4029.0.000	Washer	2
06	01.2811.0.000	Screw	2
07	14.1020.0.100	Upper Oil Reservoir	1
08	07.0514.0.000	Wick	1
09	07.0059.1.008	Tubing	1
10	07.0400.0.004	Wick	2
11	01.2241.0.001	Screw	6
12	07.0401.0.009	Wick	4
13	17.0082.6.000	Tube Clip	4
14	01.4406.0.000	Washer	2
15	See Page 3-36	Follower-Feed Cam Assembly	—
16	14.1023.0.000	Ring Insert	1
17	05.1105.0.000	Oil Inlet	1
18	07.0400.0.005	Wick	1
19	07.0400.0.007	Wick	1+(1)
20	14.1005.0.000	Oil Trasnsfer Tube	1
21	14.1008.0.000	Lower Oil Reservoir	1
22	04.2040.0.005	Tubing	2
23	40.0593.0.000	Oil Inlet	2
24	14.1009.0.000	Upper Reservoir Assembly	1
25	07.0059.0.000	Tubing	1
26	07.0400.0.000	Wick	1
27	14.1006.0.050	Retainer Oil Pad Assembly	1
28	14.1007.0.001	Pad - Oil - L - Shaped	(1)
29	14.1007.0.000	Pad Oil	(1)
30	12.0008.6.953	Wick	(1)
31	14.1006.0.000	Retainer Oil Pad	(1)
32	See Page 3-44	Felt Pad	—
33	See Page 3-14	Stitch Drive Lever Assembly	—
34	14.1015.0.000	Vibrator Barrel Oil Pad	1
35	07.0400.0.004	Wick	2
36	See Page 3-20	Race Assembly* AF-CB	—
37	See Page 3-16	Wick	—
38	07.0401.0.004	Wick	1
39	07.0400.0.003	Wick	1
40	07.0400.0.024	Wick	1
41	07.0095.1.010	Tubing	1

Released 02/2005

E-mail: service@amfreece.cz; parts@amfreece.cz; website: www.amfreece.com

Phones: +420 582 309 146 (Service), +420 582 309 286 (Spare Parts); Fax: +420 582 360 606

CLAMP PLATE ASSEMBLY

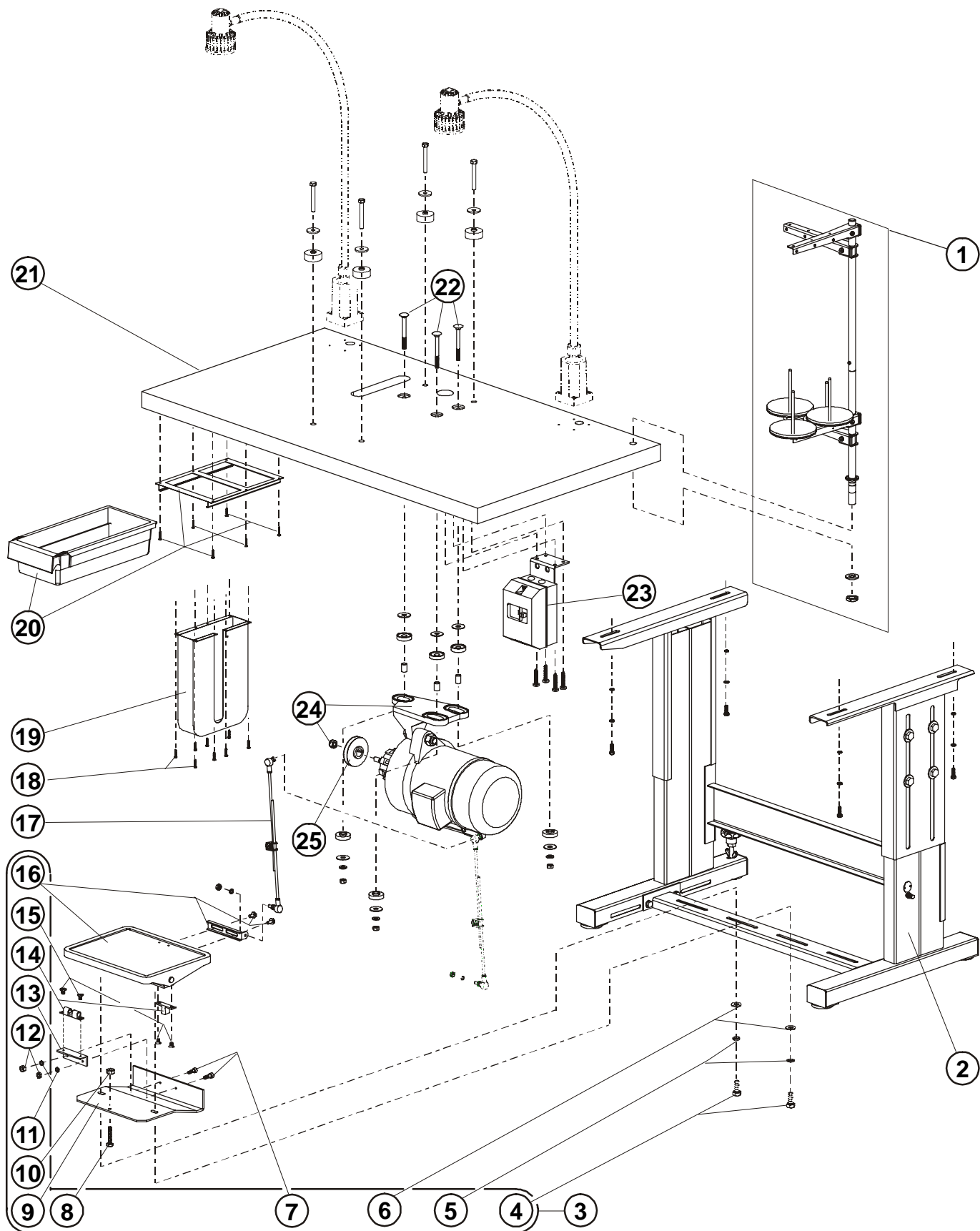


Released 09/2005

E-mail: service@amfreece.cz; parts@amfreece.cz ; website: www.amfreece.com

Phones: +420 582 309 146 (Service), +420 582 309 286 (Spare Parts) ; Fax: +420 582 360 606

REGULAR TABLE



Released 10/2005

E-mail: service@amfreece.cz; parts@amfreece.cz ; website: www.amfreece.com

Phones: +420 582 309 146 (Service), +420 582 309 286 (Spare Parts) ; Fax: +420 582 360 606

REGULAR TABLE

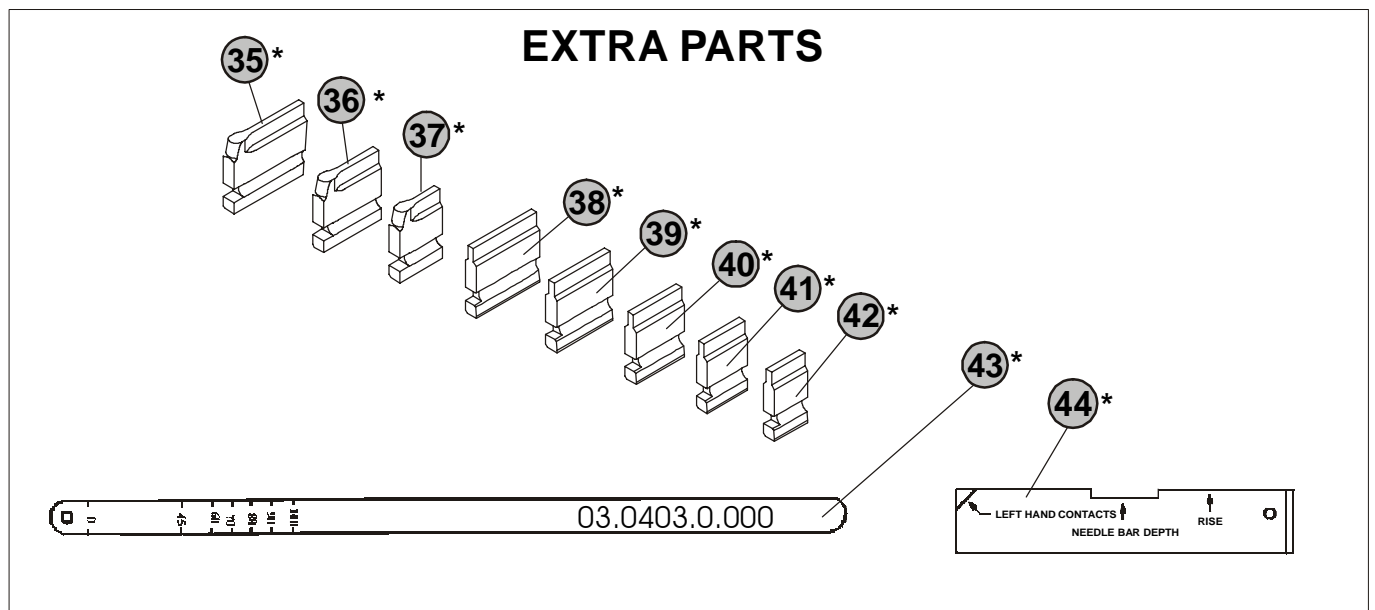
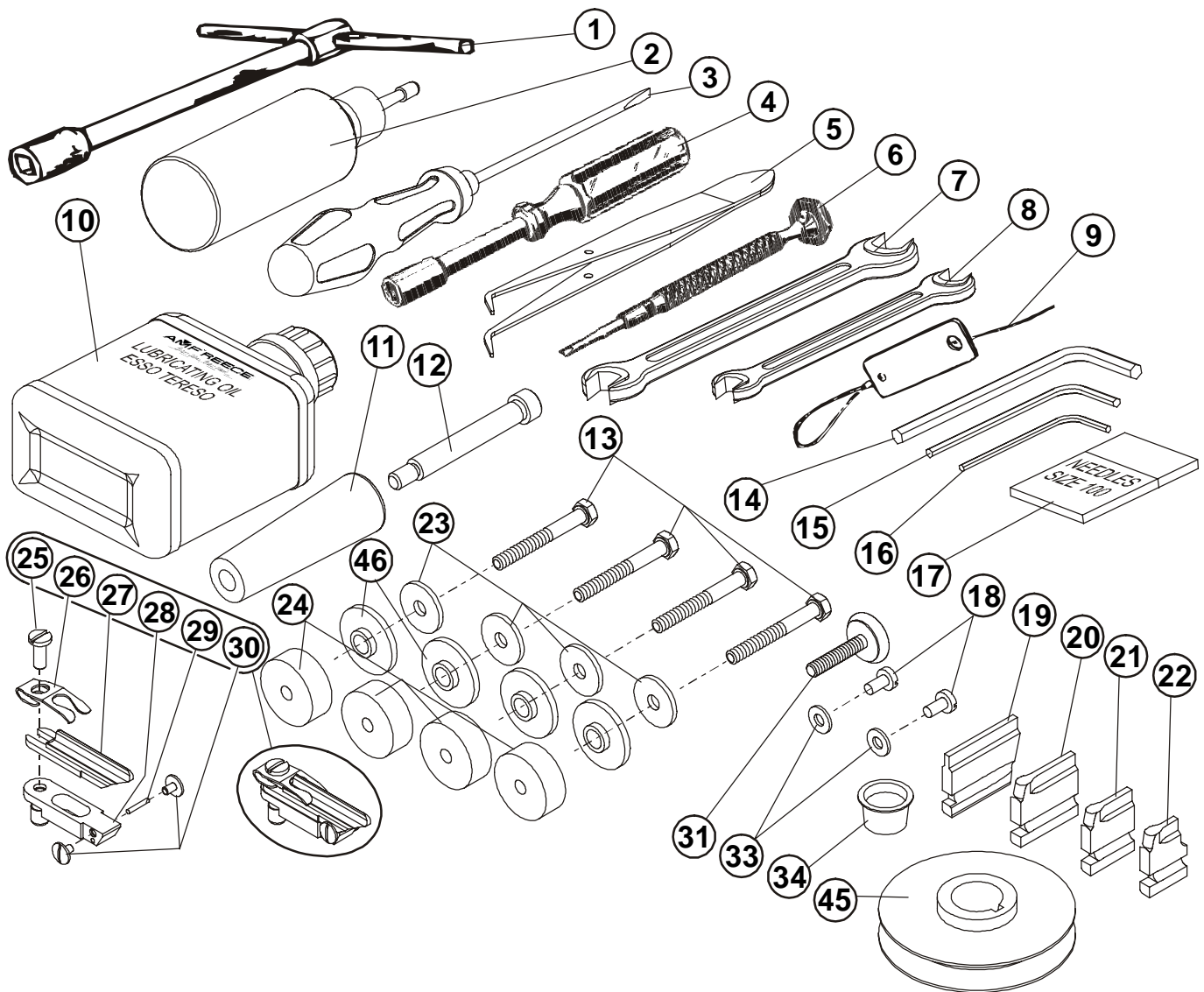
DET	PART NUMBER	DESCRIPTION	QTY.
01	17.0003.6.156	Thread Stand	1
02	04.9000.0.123	Frame Kit Assembly	1
03	22.0218.0.000	Footswitch Assembly	1
04	08.6312.8.020	Screw M8x20	(2)
05	08.6802.8.000	Spring Washer	(2)
06	08.6852.8.000	Washer 8	(2)
07	08.6000.4.012	Screw M4x12	(2)
08	08.6312.8.040	Screw M8x12	(1)
09	22.0217.0.000	Foot Pedal Holder	(1)
10	08.6702.8.000	Nut M8	(1)
11	08.6800.4.000	Spring Washer 8	(2)
12	08.6700.4.000	Nut M4	(2)
13	22.0216.0.000	Latch Bracket	(1)
14	04.9000.0.802	Tension Latch	(1)
15	08.6100.4.006	Screw M4x6	(4)
16	04.9002.0.000	Footswitch Assembly	(1)
17	04.1956.1.000	Operating Rod-Ball Joint Assembly	(1)
18	—	Screw	—
19	17.0083.1.655	Cover	1
20	12.0008.6.901	Drawer Kit	1
21	04.1554.5.000	Table	1
22	08.6532.8.070	Screw M8x70	3
23	12.0008.4.502	Motor Starter 230V 1Ph	—
	12.0008.4.503	Motor Starter 230—400V 3Ph	
	12.0008.4.504	Motor Starter 230V 3Ph	
	12.0008.4.505	Motor Starter 110V 1Ph	
24	17.0007.8.171	Motor FIR 110V / 60Hz 1Ph	—
	17.0007.8.172	Motor FIR 240V / 50Hz 1Ph	
	17.0007.8.173	Motor FIR 240—400V / 50—60 Hz 3Ph	
25	17.0055.4.415	Pulley 60 Hz	—
	17.0055.4.416	Pulley 50 Hz	

Released 10/2005

E-mail: service@amfreece.cz; parts@amfreece.cz ; website: www.amfreece.com

Phones: +420 582 309 146 (Service), +420 582 309 286 (Spare Parts) ; Fax: +420 582 360 606

TOOLS, SUPPLIES & ACCESSORIES



Released 09/2005

E-mail: service@amfreece.cz; parts@amfreece.cz ; website: www.amfreece.com

Phones: +420 582 309 146 (Service), +420 582 309 286 (Spare Parts) ; Fax: +420 582 360 606

TOOLS, SUPPLES & ACCESSORIES

DET	PART NUMBER	DESCRIPTION	QTY.
01	03.0048.2.000	Sq. Soket Wrench 7/16"	1
02	05.1322.0.000	Oil Can	1
03	03.0024.0.187	Screwdriver 3" Blade	1
04	03.0007.0.000	Soket Wrench 1/4"	1
05	12.0008.6.215	Tweezers	1
06	03.0038.0.000	Screwdriver	1
07	03.0019.0.000	Wrench 1/4"	1
08	03.0018.0.000	Hex Wrench 5/16"	1
09	03.0020.0.000	Threading Wire	1
10	05.0090.1.000	Lubricating Oil 8 oz. 68	1
11	See Page 3-8	Handle	—
12	See Page 3-8	Screw	—
13	08.6300.8.065	Screw	4
14	12.0008.6.104	Hex Key 6 mm	1
15	03.0054.0.000	Hex Wrench 3/32"	1
16	12.0008.6.100	Wrench 5/64"	1
17	02.0501.0.111	Needles	10
18	See Page 3-4	Screw	2
19	10.1069.0.016	Cutting Steel 1 1/4"	1
20	10.1069.0.005	Cutting Steel 1"	1
21	10.1069.0.003	Cutting Steel 3/4"	1
22	10.1069.0.001	Cutting Steel 1/2"	1
23	17.0019.0.441	Washer	4
24	19.0095.1.405	Rubber Washer	4
25	01.2039.0.000	Screw	1
26	10.3074.0.011	Cloth Lifting Spring*CB	1
27	10.3072.0.023	Knife	1
28	10.3071.1.250	Knife Pad	1
29	01.6036.0.000	Pin	1
30	01.2102.0.000	Screw	2
31	See Page 3-6	Leveler	1
32			
33	See Page 3-4	Washer	2
34	See Page 3-6	Red Cap Plug	1
35*	10.1069.0.006	Cutting Steel 1 1/8"	—
36*	10.1069.0.004	Cutting Steel 7/8"	—
37*	10.1069.0.002	Cutting Steel 5/8"	—
38*	10.1069.0.013	Cutting Steel 7/8"	—
39*	10.1069.0.012	Cutting Steel 3/4"	—
40*	10.1069.0.011	Cutting Steel 5/8"	—
41*	10.1069.0.010	Cutting Steel 1/2"	—
42*	10.1069.0.014	Cutting Steel 1"	—
43*	03.0403.0.000	Clutch Gauge	—
44*	03.0279.0.000	Gauge	—
45	17.0055.4.416	Puley 50 Hz	1
46	17.0095.1.272	Rubber Washer	4

* — Extra Parts

Released 09/2005

E-mail: service@amfreece.cz; parts@amfreece.cz; website: www.amfreece.com

Phones: +420 582 309 146 (Service), +420 582 309 286 (Spare Parts); Fax: +420 582 360 606

INDEX

PART NUMBER	PAGE	DET	QTY	PART NUMBER	PAGE	DET	QTY	PART NUMBER	PAGE	DET	QTY
27513603				01.2006.0.000				01.2102.0.000			
27513603	3-3	5	(1)	01.2006.0.000	3-17	12	1	01.2102.0.000	3-31	26	2
				01.2008.0.000	3-9	40	(2)	01.2102.0.000	3-57	30	2
01.1006.0.000				01.2008.0.000	3-47	33	2	01.2111.0.001	3-53	7	2
01.1006.0.000	3-19	54	(2)	01.2011.0.000	3-45	17	1	01.2128.0.000	3-7	13	2
01.1020.1.000	3-27	19	2	01.2013.0.000	3-31	12	(3)	01.2130.0.000	3-37	4	2
01.1021.0.000	3-27	08	4	01.2014.0.000	3-17	6	(2)	01.2144.0.000	3-25	24	1
01.1028.0.000	3-37	16	1	01.2015.0.000	3-53	24	6	01.2146.0.000	3-37	13	1
01.1076.0.000	3-27	74	1	01.2016.0.000	3-15	13	1	01.2171.0.000	3-25	29	(1)
01.1095.0.000	3-39	24	1	01.2016.0.000	3-17	40	(1)	01.2175.0.000	3-25	8	2
01.1112.0.000	3-49	4	2	01.2022.0.000	3-37	24	(2)	01.2193.0.000	3-47	16	1
01.1113.0.000	49	11	(1)	01.2024.0.000	3-19	50	(1)	01.2241.0.001	3-51	11	6
01.1114.0.000	49	24	1	01.2028.0.000	3-17	7	(2)	01.2241.0.002	3-3	13	(3)
01.1130.0.000	3-31	31	(1)	01.2028.0.000	3-17	7	(2)	01.2241.0.002	3-27	65	2
01.1132.0.000	3-37	21	1	01.2031.0.000	3-11	16	2	01.2247.0.000	3-3	80	(2)
01.1137.0.000	3-53	12	2	01.2032.1.000	3-13	15	1	01.2247.0.000	3-49	20	4
01.1147.0.002	3-13	33	1	01.2033.0.000	3-11	11	1	01.2247.0.002	3-7	17	5
01.1151.0.000	3-23	4	1	01.2035.0.000	3-9	28	(1)	01.2247.0.004	3-3	42	2
01.1238.0.000	3-27	28	(2)	01.2038.0.000	3-31	28	1	01.2247.0.004	3-25	32	1
01.1241.0.001	3-47	10	2	01.2039.0.000	3-31	20	1	01.2260.0.603	3-3	71	1
01.1257.0.000	3-31	7	1	01.2039.0.000	3-31	29	2	01.2312.0.000	3-53	19	4
01.1393.0.000	3-3	61	(1)	01.2039.0.000	3-49	18	2	01.2318.0.000	3-19	16	(1)
01.1393.0.001	3-49	8	(1)	01.2039.0.000	3-57	25	1	01.2321.0.000	3-39	15	1
01.1432.0.000	3-17	31	2	01.2041.0.000	3-35	30	2	01.2324.0.000	3-15	26	1
01.1447.0.000	3-17	18	1	01.2041.0.000	3-13	31	1	01.2344.0.000	3-27	60	2
01.1453.0.000	3-3	16	(1)	01.2041.0.000	3-23	44	1	01.2344.0.000	3-37	1	1
01.1457.0.000	3-27	59	1	01.2041.0.000	3-37	14	1	01.2347.0.000	3-11	20	(2)
01.1470.0.000	3-9	5	(1)	01.2042.0.000	3-39	26	1	01.2361.0.000	3-19	13	(1)
01.1480.0.000	3-3	56	2	01.2043.0.000	3-17	27	2	01.2362.0.000	3-49	37	(2)
01.1557.0.000	3-53	1	2	01.2045.0.000	3-27	87	1	01.2386.0.000	3-11	1	2
01.1568.0.001	3-9	15	(2)	01.2046.0.000	3-27	51	1	01.2386.0.000	3-13	5	(1)
01.1594.0.000	3-17	43	1	01.2046.0.000	3-27	52	1	01.2388.0.000	3-11	24	2
01.1601.0.001	3-27	67	2	01.2051.0.000	3-53	30	2	01.2412.0.000	3-15	2	2
01.1601.0.007	3-27	69	2	01.2053.0.000	3-53	37	1	01.2412.0.000	3-27	40	((1))
01.1639.0.000	3-45	28	2	01.2056.0.000	3-19	65	1	01.2412.0.000	3-39	2	1
01.1649.0.004	3-27	79	1	01.2059.0.000	3-19	31	(1)	01.2413.0.000	3-45	2	2
01.1661.0.001	3-3	20	(4)	01.2063.0.000	3-23	9	1	01.2419.0.000	3-47	23	(2)
01.1661.0.001	3-25	9	4	01.2066.0.000	3-35	8	1	01.2419.0.001	3-23	35	((1))
01.1661.0.001	3-47	2	4	01.2067.0.000	3-11	13	2	01.2419.0.001	3-47	28	(1)
01.1686.0.401	3-27	22	((4))	01.2071.0.000	3-13	27	1	01.2436.0.000	3-9	42	(2)
01.1728.0.401	3-3	47	2	01.2073.0.000	3-19	10	(2)	01.2442.0.001	3-13	36	1
01.1739.0.101	3-33	7	2	01.2073.0.000	3-19	47	(3)	01.2481.0.000	3-49	22	2
01.1831.0.000	3-41	10	(1)	01.2075.0.000	3-9	35	5	01.2482.0.000	3-27	44	(2)
01.1889.0.000	3-47	21	2	01.2075.0.001	3-35	31	2	01.2493.0.000	3-7	29	3
01.1969.0.001	3-39	1	1	01.2079.0.000	3-17	46	2	01.2509.0.000	3-49	3	1
01.1975.0.000	3-43	28	(1)	01.2081.0.000	3-19	42	(1)	01.2539.0.000	3-27	27	(1)
01.1983.0.000	3-47	38	2	01.2081.0.000	3-19	59	1	01.2539.0.001	3-27	24	(1)
01.1986.0.000	3-43	14	1	01.2084.0.000	3-35	19	2	01.2543.0.000	3-37	9	1
01.2001.0.000	3-19	28	(4)	01.2085.0.000	3-15	18	2	01.2557.0.001	3-47	9	2
01.2004.0.000	3-13	20	1	01.2088.0.000	3-17	10	2	01.2557.0.001	3-53	11	2

Revised 09/2005

e-mail: service@amfreece.cz; parts@amfreece.cz; website: www.amfreece.com

Phones: +420 582 309 146 (Service), +420 582 309 286 (Spare Parts); Fax: +420 582 360 606

INDEX

PART NUMBER	PAGE	DET	QTY	PART NUMBER	PAGE	DET	QTY	PART NUMBER	PAGE	DET	QTY
01.2558.0.000				01.3018.0.000				01.4063.0.000			
01.2558.0.000	3-53	15	2	01.3018.0.000	3-19	72	1	01.4063.0.000	3-15	17	2
01.2659.0.000	3-47	12	2	01.3019.0.000	3-37	20	1	01.4063.0.000	3-27	68	1
01.2667.0.000	3-19	17	(1)	01.3020.0.000	3-23	39	(2)	01.4063.0.000	3-35	16	1
01.2712.0.000	3-43	21	(3)	01.3020.0.000	3-35	22	1	01.4065.0.000	3-27	55	1
01.2729.0.000	3-53	16	2	01.3020.0.001	3-45	15	1	01.4067.0.000	3-27	02	2
01.2732.0.300	3-3	44	1	01.3025.0.000	3-19	12	(1)	01.4074.0.000	3-49	10	(1)
01.2811.0.000	3-51	6	2	01.3025.0.000	3-23	26	(1)	01.4081.0.005	3-19	71	
01.2816.0.000	3-3	69	2	01.3025.0.000	3-49	1	1	01.4081.0.005	3-47	32	1
01.2845.0.000	3-3	57	8	01.3042.0.000	3-37	19	2	01.4081.0.006	3-19	71	
01.2849.0.002	3-33	2	2	01.3059.0.000	3-11	6	1	01.4081.0.006	3-47	32	1
01.2871.0.000	3	52	2	01.3400.0.000	3-23	12	1	01.4081.0.008	3-19	71	
01.2877.0.000	7	1	3	01.3400.0.000	3-41	21	(2)	01.4081.0.008	3-47	32	1
01.2877.0.003	3-7	18	1	01.3401.0.000	3-51	4	2	01.4081.0.009	3-19	71	1
01.2884.0.000	3-3	34	(2)	01.3402.0.000	3-3	88	2	01.4081.0.009	3-47	32	1
01.2885.0.003	3-3	40	(2)(2)(2)8	01.3404.0.000	3-27	30	(2)	01.4081.0.010	3-19	71	
01.2886.0.000	3-7	47	2	01.3404.0.000	3-27	33	(2)	01.4081.0.010	3-47	32	1
01.2886.0.002	3-35	7	2	01.3414.0.000	3-27	75	1	01.4081.0.011	3-19	71	
01.2981.0.001	3-27	90	2	01.3415.0.000	3-27	80	1	01.4081.0.011	3-47	32	1
				01.3596.0.000	3-43	25	(1)	01.4081.0.012	3-19	71	
								01.4081.0.012	3-47	32	1
01.3001.0.000				01.4001.0.000				01.4121.0.000			
01.3001.0.000	3-19	55	1	01.4001.0.000	3-13	21	1	01.4121.0.000	3-27	29	(4)
01.3001.0.000	3-25	33	1	01.4001.0.000	3-31	8	(1)	01.4154.0.000	3-17	44	1
01.3001.0.000	3-27	43	(2)	01.4002.0.000	3-7	42	1	01.4305.0.000	3-3	39	(2)
01.3001.0.000	3-31	9	(2)	01.4003.0.000	3-7	28	3	01.4406.0.000	3-3	14	(3)
01.3001.0.000	3-39	5	2	01.4003.0.000	3-7	28	3	01.4406.0.000	3-51	14	2
01.3001.0.000	3-53	34	2	01.4003.0.000	3-31	32	(1)	01.4407.0.000	3-3	81	(2)
01.3005.0.000	3-11	9	1	01.4003.0.000	3-35	29	2	01.4407.0.000	3-25	31	1
01.3005.0.000	3-19	45	(1)	01.4004.0.000	3-41	16	(1)	01.4407.0.000	3-39	3	1
01.3005.0.000	3-23	3	1	01.4005.0.000	3-15	22	1	01.4412.0.000	3-7	15	2
01.3005.0.000	3-27	54	1	01.4005.0.000	3-17	37	1	01.4426.0.000	3-53	21	2
01.3005.0.000	3-35	24	1	01.4005.0.000	3-27	46	(1)	01.4445.0.000	3-27	82	2
01.3005.0.000	3-37	2	2	01.4009.0.000	3-9	25	1	01.4472.0.000	3-17	29	2
01.3005.0.000	3-39	10	1	01.4009.0.001	3-9	20	1	01.4482.0.000	3-9	16	1
01.3005.0.000	3-45	12	1	01.4010.0.000	3-23	32	(1)	01.4503.0.000	3-37	18	2
01.3006.0.000	3-31	17	(2)	01.4011.0.000	3-39	11	1	01.4522.0.000	3-13	32	1
01.3007.0.000	3-11	5	6	01.4012.0.000	3-19	23	(1)	01.4522.0.000	3-15	14	1
01.3007.0.000	3-13	12	1	01.4013.0.000	3-19	51	(2)	01.4522.0.000	3-17	39	1
01.3007.0.000	3-27	42	(3)	01.4015.0.000	3-19	15	(1)	01.4547.0.000	3-3	68	(2)
01.3010.0.000	3-23	28	1	01.4018.0.000	3-11	2	4	01.4547.0.000	3-3	73	(2)
01.3010.0.000	3-31	16	((1))	01.4019.0.000	3-37	25	(2)	01.4549.0.000	3-3	45	1
01.3011.0.000	3-35	18	1	01.4029.0.000	3-27	66	2	01.4559.0.000	3-7	46	2
01.3013.0.000	3-15	21	1	01.4029.0.000	3-31	34	(1)	01.4559.0.000	3-27	34	(2)
01.3013.0.000	3-17	38	(1)	01.4029.0.000	3-51	5	2	01.4572.0.000	3-7	14	2
01.3013.0.000	3-27	45	(1)	01.4038.0.000	3-53	4	2	01.4578.0.000	3-3	58	8
01.3015.0.000	3-11	14	2	01.4042.0.000	3-27	31	(4)	01.4579.0.000	3-3	51	2
01.3016.0.000	3-17	41	4	01.4042.0.000	3-37	3	1	01.4579.0.000	3-3	59	8
01.3016.0.000	3-25	17	(1)	01.4046.0.000	3-17	11	2	01.4581.0.000	3-7	2	4
01.3016.0.000	3-27	86	1	01.4061.0.000	3-11	21	(2)	01.4672.0.301	3-3	48	4
01.3016.0.000	3-53	5	2	01.4063.0.000	3-13	2	1	01.4673.0.000	3-3	35	(2)

Revised 09/2005

e-mail: service@amfreece.cz; parts@amfreece.cz; website: www.amfreece.com

Phones: +420 582 309 146 (Service), +420 582 309 286 (Spare Parts); Fax: +420 582 360 606

INDEX

PART NUMBER	PAGE	DET	QTY	PART NUMBER	PAGE	DET	QTY	PART NUMBER	PAGE	DET	QTY
01.4701.0.000				01.5475.0.000				01.6970.0.000			
01.4701.0.000	3-7	32	(1)	01.5475.0.000	3-27	58	1	01.6970.0.000	3-9	31	1
01.4701.0.000	3-17	19	1	01.5602.0.000	7	21	(1)	01.6982.0.001	3-17	2	2
01.4747.0.000	3-9	19	2	01.5603.0.000	49	16	1	01.6982.0.002	3-13	41	(1)
01.4751.0.000	3-23	19	(2)	01.5605.0.000	41	19	(1)	01.7004.0.000			
01.4752.0.000	3-41	20	(2)	01.5606.0.000	43	11	(1)	01.7004.0.000	3-15	25	1
01.4764.0.000	3-9	9	(1)	01.5620.0.000	19	9	(1)	01.7015.0.000	3-47	26	(2)
01.4777.0.000	3-3	6	(1)	01.5919.0.000	19	38	(1)	01.7022.0.000	3-19	53	(2)
01.4781.0.701	3-3	43	3	01.6004.0.000				01.7023.0.000	3-15	11	1
01.4788.0.000	3-43	23	(1)	01.6004.0.000	19	68	(1)	01.7038.1.000	3-37	33	1
01.4905.0.000	3-9	18	1	01.6005.0.000	39	18	(1)	01.7040.0.000	3-9	32	1
01.5002.0.000				01.6006.0.000	27	41	((1))	01.7043.0.000	3-15	10	1
01.5002.0.000	3-49	27	1	01.6010.0.000	25	20	(1)	01.7309.0.901	3-23	41	(2)
01.5003.0.000	3-41	9	(1)	01.6013.0.000	19	36	((1))	01.7435.1.000	3-25	11	1
01.5003.0.000	3-47	35	2	01.6014.0.000	27	72	1+(1)	01.7447.0.001	3-7	12	(1)+(1)
01.5005.0.001	3-23	13	1	01.6014.0.000	41	12	(1)	01.7447.1.000	3-7	6	(1)
01.5006.0.001	3-31	36	1	01.6018.0.000	19	37	((2))	01.7625.0.000	3-3	25	2
01.5011.0.000	3-41	13	(1)	01.6020.0.000	35	27	(1)	01.7626.0.001	3-49	31	(1)
01.5013.0.000	3-27	64	1	01.6026.0.000	31	15	((1))	01.7630.0.001	3-23	20	(1)
01.5014.0.000	3-39	19	1	01.6030.0.000	39	22	(1)	01.7653.0.000	3-9	2	(1)
01.5015.0.000	3-27	73	1	01.6031.0.000	17	14	1	01.7667.0.000	3-43	17	(2)
01.5017.0.000	3-9	10	(1)	01.6036.0.000	31	25	1	01.7668.0.000	3-9	22	2
01.5019.0.000	3-13	28	1	01.6036.0.000	57	29	1	01.7722.0.000	3-9	3	(1)
01.5020.0.000	3-13	18	1	01.6074.0.000	27	10	(2)	01.8002.0.000			
01.5023.0.000	3-27	14	1	01.6075.0.000	27	06	(2)	01.8002.0.000	3-43	30	1
01.5026.0.000	3-19	43	((2))	01.6135.0.000	13	6	(1)	01.8007.0.001	3-9	30	1
01.5027.0.000	3-19	57	1	01.6166.0.000	39	17	(1)	01.8401.0.001	3-27	38	(1)
01.5028.0.000	3-19	63	1	01.6280.0.000	25	4	(2)	01.8413.0.000	3-33	3	2
01.5041.0.000	3-19	39	(1)	01.6285.0.000	3	41	(2)	02.0501.0.111			
01.5048.0.000	3-13	42	1	01.6286.0.001	3	37	(2)	02.0501.0.111	3-47	17	1
01.5054.0.000	3-17	3	2	01.6334.0.000	49	38	1	02.0501.0.111	3-57	17	10
01.5055.0.000	3-13	22	1	01.6345.0.000	11	8	1	03.0007.0.000			
01.5061.0.000	3-7	40	1	01.6368.0.000	25	25	1	03.0007.0.000	3-57	4	1
01.5061.0.000	3-31	11	(1)	01.6384.0.000	43	27	(1)	03.0018.0.000	3-57	8	1
01.5075.0.000	3-39	7	1	01.6422.0.005	9	8	(1)	03.0019.0.000	3-57	7	1
01.5088.0.000	3-35	9	1	01.6428.0.000	37	6	2	03.0020.0.000	3-57	9	1
01.5134.0.000	3-25	14	1	01.6515.0.000	43	19	((2))	03.0024.0.187	3-57	3	1
01.5163.0.000	3-49	25	1	01.6528.0.000	25	27	1	03.0038.0.000	3-57	6	1
01.5167.0.000	3-47	19	1	01.6551.0.000	7	8	(1)	03.0048.2.000	3-57	1	1
01.5172.0.000	3-15	4	1	01.6555.0.000	27	05	(2)	03.0054.0.000	3-57	15	1
01.5173.0.000	3-31	33	(1)	01.6560.0.000	31	4	((1))	03.0279.0.000	3-57	44*	—
01.5236.0.000	3	38	(2)	01.6569.0.002	7	26	(1)	03.0403.0.000	3-57	43*	—
01.5429.0.000	3-47	8	1	01.6582.0.000	7	10	(1)+(1)	03.6000.0.216	3-27	32	(2)
01.5433.0.000	3-25	28	1	01.6612.0.000	25	7	(1)	03.6000.1.208	3-9	21	(1)
01.5447.0.000	3-37	5	1	01.6673.0.002	49	34	(1)				
01.5448.0.000	3-37	10	1	01.6831.0.001	7	22	(1)				
01.5457.0.000	3-53	26	2	01.6833.0.002	35	28	(1)				
01.5473.0.000	3-13	7	1	01.6837.0.000	31	5	((1))				
				01.6839.0.001	27	12	2				

Revised 09/2005

e-mail: service@amfreece.cz; parts@amfreece.cz; website: www.amfreece.com

Phones: +420 582 309 146 (Service), +420 582 309 286 (Spare Parts); Fax: +420 582 360 606

INDEX

PART NUMBER	PAGE	DET	QTY	PART NUMBER	PAGE	DET	QTY	PART NUMBER	PAGE	DET	QTY
04.1283.0.001				08.6010.4.008				10.1053.0.000			
04.1283.0.001	3-7	44	1	08.6010.4.008	3-43	9	(1)	10.1053.0.000	3-23	16	(2)
04.1554.5.000	3-55	21	1	08.6010.4.012	3-43	3	(2)	10.1053.0.000	3-35	11	1
04.1712.0.000	3-7	49	1	08.6100.4.006	3-55	15	(4)	10.1054.0.000	3-23	21	1
04.1791.0.000	3-7	39	1	08.6100.6.050	3-43	2	(1)	10.1055.0.000	3-23	22	1
04.1956.1.000	3-55	17	(1)	08.6300.8.065	3-57	13	4	10.1060.2.000	3-23	23	1
04.2040.0.005	3-51	22	2	08.6312.8.020	3-55	4	(2)	10.1061.1.000	3-23	27	(1)
04.9000.0.123	3-55	2	1	08.6312.8.040	3-55	8	(1)	10.1062.0.000	3-23	10	1
04.9000.0.802	3-55	14	(1)	08.6400.5.305	3-37	32	2	10.1066.2.000	3-23	5	1
04.9002.0.000	3-55	16	(1)	08.6532.8.070	3-55	22	3	10.1068.0.901	3-31	3	(1)
				08.6700.4.000	3-55	12	(2)	10.1068.1.050	3-31	2	((1))
05.0043.1.000				08.6702.8.000	3-55	10	(1)	10.1069.0.001	3-31	19	1
05.0043.1.000	49	21	1	08.6800.4.000	3-55	11	(2)	10.1069.0.001	3-57	22	1
05.0090.1.000	3-57	10	1	08.6802.8.000	3-55	5	(2)	10.1069.0.002	3-57	37*	—
05.0144.0.000	3-27	77	1	08.6842.5.000	3-3	49	4	10.1069.0.003	3-57	21	1
05.0531.0.001	3-45	26	1	08.6850.4.000	3-3	87	2	10.1069.0.004	3-57	36*	—
05.1103.0.000	3-33	9	1	08.6852.6.000	3-35	23	1	10.1069.0.005	3-57	20	1
05.1105.0.000	3-51	17	1	08.6852.8.000	3-55	6	(2)	10.1069.0.006	3-57	35*	—
05.1322.0.000	3-57	2	1	08.6962.2.009	3-3	85	(2)	10.1069.0.010	3-57	41*	—
05.1368.0.000	3-19	46	(1)					10.1069.0.011	3-57	40*	—
05.4112.0.000	3-3	4	(1)	10.1003.0.000				10.1069.0.012	3-57	39*	—
				10.1003.0.000	3-49	15	1	10.1069.0.013	3-57	38*	—
06.0621.0.000				10.1004.0.000	3-49	14	1	10.1069.0.014	3-57	42*	—
06.0621.0.000	3-3	32	(2)	10.1008.0.000	3-49	29	1	10.1069.0.016	3-57	19	1
				10.1009.0.000	3-49	28	1	10.1071.1.023	3-31	14	(1)
07.0059.0.000				10.1010.0.000	3-49	26	1	10.1072.0.000	3-31	10	(1)
07.0059.0.000	3-51	25	1	10.1014.1.000	3-47	3	1	10.1073.1.000	3-31	13	(1)
07.0059.1.008	3-51	9	1	10.1016.2.000	3-47	7	(1)	10.1074.0.000	3-31	18	(1)
07.0086.0.001	3-7	24	(1)+1	10.1021.2.000	3-47	36	2	10.1074.0.250	3-31	37	1
07.0087.0.000	3-7	33	1	10.1022.0.000	3-47	34	2	10.1075.1.051	3-17	4	1
07.0087.0.001	3-7	35	2	10.1023.3.000	47	30	1	10.1076.0.000	3-45	24	1
07.0095.1.010	3-51	41	1	10.1024.0.001	3-45	14	1	10.1077.0.000	3-49	12	1
07.0400.0.000	3-37	30	(1)	10.1024.0.001	3-47	14	2	10.1078.1.000	3-49	13	1
07.0400.0.000	3-51	26	1	10.1024.0.002	3-45	14	1	10.1083.0.000	3-39	14	1
07.0400.0.003	3-17	48	1	10.1024.0.002	3-47	14	2	10.1083.0.000	3-49	6	1
07.0400.0.003	3-51	39	1	10.1024.0.003	3-45	14	1	10.1090.0.000	3-43	7	(1)
07.0400.0.004	3-51	10	2	10.1024.0.003	3-47	14	2	10.1091.1.801	3-43	33	(1)
07.0400.0.004	3-51	35	2	10.1027.1.050	3-47	22	2	10.1091.1.803	3-43	26	(1)
07.0400.0.005	3-51	18	1	10.1029.1.000	3-47	18	2	10.1093.2.000	3-43	29	1
07.0400.0.007	3-17	49	1	10.1030.0.017	3-47	20	1	10.1097.1.000	3-43	10	(1)
07.0400.0.007	3-51	19	1+(1)	10.1031.0.000	3-45	23	1	10.1107.0.801	3-37	27	(1)
07.0400.0.024	3-51	40	1	10.1032.0.000	3-47	1	1	10.1109.3.000	3-37	22	1
07.0401.0.000	3-19	73	1	10.1033.1.000	3-47	29	1	10.1113.0.000	3-39	12	1
07.0401.0.004	3-51	38	1	10.1034.0.000	3-45	18	1	10.1114.1.000	3-39	8	(1)
07.0401.0.009	3-19	33	((1))	10.1037.0.000	3-45	8	1	10.1115.0.000	3-39	28	1
07.0401.0.009	3-51	12	4	10.1038.2.000	3-45	9	1	10.1117.0.000	3-39	13	1
07.0514.0.000	3-51	8	1	10.1039.0.000	3-45	10	2	10.1118.0.000	3-39	16	1
07.6042.1.001	3-41	18	(1)	10.1040.0.000	3-45	13	1	10.1119.0.000	3-39	20	1
07.6481.0.014	3-7	34	1	10.1044.0.000	3-45	25	1	10.1120.0.000	3-39	21	1
08.6000.4.012	3-55	7	(2)	10.1045.2.000	3-47	25	(2)	10.1121.0.017	3-39	25	1

Revised 10/2005

e-mail: service@amfreece.cz; parts@amfreece.cz; website: www.amfreece.com

INDEX

PART NUMBER	PAGE	DET	QTY	PART NUMBER	PAGE	DET	QTY	PART NUMBER	PAGE	DET	QTY
10.1122.0.010				10.2025.0.017				10.3009.0.000			
10.1122.0.010	3-45	4		10.2025.0.017	3-27	50	1	10.3009.0.000	3-17	47	1
10.1122.0.011	3-45	4		10.2027.1.000	3-27	25	(1)	10.3010.0.000	3-17	8	(1)
10.1122.0.012	3-45	4		10.2028.1.000	3-27	26	(1)	10.3010.0.051	3-17	9	1
10.1122.0.013	3-45	4		10.2029.0.000	3-53	20	2	10.3011.0.000	3-17	36	(1)
10.1122.0.014	3-45	4		10.2031.0.000	3-53	22	2	10.3011.0.051	3-17	34	1
10.1122.0.015	3-45	4		10.2032.0.000	3-53	23	2	10.3012.0.000	3-17	24	1
10.1122.0.016	3-45	4		10.2033.0.000	3-27	16	1	10.3013.0.000	3-17	35	(1)
10.1122.0.017	3-39	23	1	10.2033.0.801	3-27	11	(1)	10.3016.0.000	3-17	42	4
10.1122.0.980	3-45	4		10.2034.0.000	3-27	13	1	10.3018.0.000	3-17	20	1
10.1122.0.997	3-23	7	—	10.2034.0.801	3-27	15	(1)	10.3019.1.006	3-15	15	1
10.1122.0.998	23	7	1	10.2036.0.000	3-27	09	2	10.3020.0.006	3-15	24	1
10.1122.0.998	45	4		10.2039.0.000	3-27	03	1	10.3026.0.000	3-17	22	1
10.1122.0.999	3-23	7	1	10.2041.0.000	3-27	07	2	10.3026.0.000	3-27	81	1
10.1122.0.999	3-45	4		10.2042.0.000	3-27	01	2	10.3027.0.000	3-11	15	1
10.1125.2.000	3-35	10	1	10.2044.0.002	3-53	27	1	10.3028.0.000	3-11	12	2
10.1126.0.000	3-35	21	1	10.2046.1.751	3-53	6	1	10.3029.1.000	3-13	26	1
10.1127.3.000	3-35	26	1	10.2048.0.002	3-53	32	1	10.3031.0.000	3-13	14	1
10.1147.0.000	3-45	11	2	10.2050.1.750	3-53	29	1	10.3032.1.000	3-13	25	1
10.1153.0.000	3-45	20	1	10.2051.2.000	3-53	18	2	10.3033.0.017	3-15	1	1
10.1158.1.000	3-49	9	(1)	10.2051.2.000	3-53	36	2	10.3034.0.258	3-15	12	1
10.1158.1.050	3-49	7	1	10.2052.0.000	3-53	35	2	10.3035.1.000	3-11	7	2
10.1159.1.000	3-49	19	1	10.2054.0.000	3-53	38	1	10.3036.0.000	3-11	10	1
10.1160.0.000	3-49	36	(1)	10.2070.1.000	3-13	10	1	10.3040.1.000	3-9	12	(1)
10.1160.0.051	3-49	35	1	10.2071.0.000	3-13	11	1	10.3042.0.000	3-9	11	(1)
10.1163.0.000	3-31	6	((1))	10.2072.0.000	3-13	8	1	10.3045.0.000	3-9	27	1
10.1167.1.000	3-37	7	1	10.2073.0.000	3-13	4	1	10.3049.0.000	3-9	26	1
10.1168.0.000	3-37	12	1	10.2074.0.000	3-27	56	1	10.3050.0.000	3-9	24	1
10.1169.0.000	3-37	8	1	10.2075.0.000	3-27	57	1	10.3051.0.000	3-9	23	1
10.1177.0.000	3-49	5	1	10.2250.1.000	3-35	17	1	10.3066.0.008	3-11	3	1
10.1178.0.000	3-49	2	1	10.2251.0.001	3-35	12	1	10.3066.0.011	3-11	4	3
10.1180.0.000	3-13	34	1	10.2252.0.000	3-35	14	1	10.3067.4.254	3-31	27	1
10.1198.1.000	3-19	41	(1)	10.2253.0.000	3-35	15	1	10.3070.0.250	3-31	35	(1)
				10.2255.2.150	3-17	1	1	10.3070.0.251	3-31	30	1
				10.2255.3.200	3-17	1	1	10.3071.1.250	3-31	24	1
10.2006.2.000				10.2256.0.000	3-17	26	1	10.3071.1.250	3-57	28	1
10.2006.2.000	3-15	8	1	10.2257.0.000	3-15	6	1	10.3072.0.023	3-57	27	1
10.2007.0.000	3-15	9	1	10.2258.0.000	3-15	3	1	10.3072.0.024	3-31	22	1
10.2007.0.350	3-37	11	1	10.2259.0.000	3-15	5	1	10.3074.0.011	3-31	21	1
10.2008.0.000	3-13	1	1	10.2260.0.001	3-15	7	1	10.3074.0.011	3-57	26	1
10.2011.0.000	3-13	29	1	10.2261.0.030	3-35	32	1	10.1075.1.000	3-17	5	(1)
10.2012.0.000	3-13	9	1	10.2261.0.040	3-35	32	1	10.3080.0.000	3-9	36	(2)
10.2014.0.000	3-13	16	1	10.2262.0.000	3-35	33	1	10.3081.0.000	3-37	17	1
10.2015.0.000	3-13	17	1	10.2263.0.000	3-25	2	1	10.3082.0.000	3-9	39	(1)
10.2016.0.000	3-39	27	1	10.2264.0.000	3-25	1	2	10.3086.0.000	3-25	15	1
10.2018.1.250	3-35	20	1					10.3089.2.000	3-25	26	1
10.2019.0.000	3-27	88	1	10.3002.0.000				10.3203.0.000	3-25	22	(2)
10.2020.0.000	3-27	89	1	10.3002.0.000	3-23	43	1	10.3205.0.000	3-25	19	(1)
10.2022.0.000	3-27	84	1	10.3007.0.000	3-23	38	(2)	10.3206.0.000	3-25	16	(1)
10.2024.0.000	3-27	47	(1)	10.3008.0.000	3-23	29	1	10.3250.1.000	3-17	16	2
10.2025.0.000	3-27	53	1								

Revised 09/2005

e-mail: service@amfreece.cz; parts@amfreece.cz; website: www.amfreece.com

Phones: +420 582 309 146 (Service), +420 582 309 286 (Spare Parts); Fax: +420 582 360 606

INDEX

PART NUMBER	PAGE	DET	QTY	PART NUMBER	PAGE	DET	QTY	PART NUMBER	PAGE	DET	QTY
10.3252.1.000				12.0008.6.953				13.1124.0.000			
10.3252.1.000	3-17	17	2	12.0008.6.953	3-51	30	(1)	13.1124.0.000	3-35	25	1
10.3254.0.000	3-17	25	1	12.1010.0.012	3-19	34	(1)+(1)	13.1181.0.000	3-13	37	1
10.3258.0.000	3-17	45	1	12.1010.0.220	3-27	63	1	13.1181.0.901	3-13	39	(1)
10.3259.1.001	3-17	30	1	12.1014.0.004	3-43	8	(1)	13.1188.0.000	3-45	27	1
10.3259.1.002	3-17	32	1	12.1015.0.001	3-39	9	(1)	13.1231.2.000	3-33	5	2
10.3262.0.250	3-17	13	1	12.1015.0.001	3-13	40	(1)	13.1232.0.000	3-43	20	(1)
10.3300.0.006	3-15	16	1	12.2010.0.000	3-13	30	1	13.1235.0.001	3-35	1	1
10.3301.1.006	3-15	20	2	12.2090.0.003	3-9	33	(1)	13.1235.0.002	3-35	5	1
10.3302.0.000	3-15	19	1	12.4021.0.312	3-37	28	(1)	13.1235.0.003	3-35	2	1
10.3303.0.000	3-15	23	1	12.8000.1.001	3-3	84	(1)	13.1235.0.004	3-35	4	1
10.3607.1.000	7	31	1					13.1235.0.005	3-35	3	2
				13.0508.1.000				13.1235.0.006	3-35	6	1
10.4003.0.000				13.0508.1.000	3-3	50	1	13.1237.0.000	3-33	4	1
10.4003.0.000	3-19	21	((1))	13.0511.3.000	3-3	7	(1)	13.1238.0.000	3-33	1	1
10.4004.0.000	3-19	4	(1)	13.0513.1.000	3-3	46	1	13.1239.0.000	3-33	8	1
10.4006.0.000	3-19	2	(1)	13.0514.1.000	3-3	15	(1)	13.1247.0.000	3-13	38	(1)
10.4007.0.000	3-19	6	(1)	13.0515.1.001	3-3	2	(1)				
10.4010.2.000	3-19	8	(1)	13.0515.1.002	3-3	12	(1)	13.2021.0.023			
10.4012.0.004	3-19	66	1	13.0522.1.001	3-3	31	(1)	13.2021.0.023	3-27	85	1
10.4016.0.000	3-19	25	(1)	13.0523.0.000	3-3	74	(1)	13.2086.0.000	3-27	49	(1)
10.4017.0.000	3-19	26	(1)	13.0523.0.001	3-3	24	(1)	13.2087.1.000	3-27	61	1
10.4018.0.000	3-19	29	(1)	13.0523.0.903	3-3	23	(1)	13.2088.0.000	3-27	62	1
10.4019.0.000	3-19	30	(2)	13.0525.0.905	3-3	10	(2)				
10.4020.0.000	3-23	36	1	13.0525.0.906	3-3	9	(1)	13.3022.1.023			
10.4021.0.000	3-19	49	(1)	13.0525.0.907	3-3	3	(1)	13.3022.1.023	3-27	70	1
10.4024.0.000	3-23	33	(1)	13.0525.0.908	3-3	11	(1)	13.3023.0.000	3-27	71	1
10.4026.0.000	3-19	48	(1)	13.0525.0.909	3-3	8	(1)	13.3039.1.000	3-9	13	(1)
10.4029.0.000	3-19	60	1	13.0526.0.902	3-3	64	(1)	13.3039.1.050	3-9	7	1
10.4030.0.000	3-19	64	1	13.0526.0.903	3-3	65	(1)	13.3061.0.300	3-11	23	(2)
10.4030.0.000	3-49	17	1	13.0527.0.901	3-3	55	(1)	13.3062.1.000	3-11	19	(1)
10.4031.0.000	3-19	62	1	13.0528.0.001	3-33	6	1	13.3079.0.000	3-9	37	(1)
10.4032.0.000	3-19	61	1	13.0530.0.000	3-3	17	(1)	13.3083.0.000	3-7	16	1
10.4035.0.000	3-19	44	(1)	13.0532.0.000	3-3	67	(1)	13.3094.2.000	3-27	83	1
10.4036.0.000	3-19	58	1	13.0534.0.000	3-3	33	(1)	13.3101.2.000	3-9	1	1
10.4037.0.000	3-19	56	1					13.3101.2.001	3-9	6	(1)
10.4039.0.000	3-19	27	(2)	13.1036.0.000				13.3101.2.002	3-9	4	(1)
10.4202.0.000	3-19	40	(1)	13.1036.0.000	3-45	21	1	13.3102.0.000	3-7	19	1
10.4203.0.000	3-19	14	(1)	13.1049.0.000	3-45	3	1	13.3102.0.901	3-7	23	(1)
10.4550.0.000	3-7	38	1	13.1050.0.000	3-45	6	1	13.3103.0.000	3-7	20	(1)
				13.1052.0.001	3-23	17	(1)	13.3104.0.000	3-7	25	(1)
12.0008.4.502				13.1091.1.000	3-43	31	1	13.3105.0.000	3-7	4	1
12.0008.4.502	3-55	23	—	13.1091.2.802	3-45	1	(1)	13.3106.0.001	3-7	30	1
12.0008.4.503	3-55	23	—	13.1099.1.000	3-41	2	(1)	13.3106.0.002	3-7	3	1
12.0008.4.504	3-55	23	—	13.1100.0.000	3-41	11	(1)	13.3107.1.000	3-7	27	1
12.0008.4.505	3-55	23	—	13.1103.0.000	3-43	24	(1)	13.3109.0.002	3-7	5	1
12.0008.6.100	3-57	16	1	13.1104.1.000	3-43	22	(1)	13.3109.0.003	3-7	9	2
12.0008.6.104	3-57	14	1	13.1105.1.000	3-43	16	(1)	13.3109.0.902	3-7	7	(1)
12.0008.6.215	3-57	5	1	13.1106.0.000	3-43	18	(1)	13.3109.0.903	3-7	11	(1)+(1)
12.0008.6.901	3-55	20	1	13.1107.0.000	3-43	15	1	13.3117.0.000	3-9	17	1

Revised 09/2005

e-mail: service@amfreece.cz; parts@amfreece.cz; website: www.amfreece.com

INDEX

PART NUMBER	PAGE	DET	QTY	PART NUMBER	PAGE	DET	QTY	PART NUMBER	PAGE	DET	QTY
13.3123.0.000				14.1029.0.000				14.2059.0.000			
13.3123.0.000	3-9	14	1	14.1029.0.000	3-37	29	(1)	14.2059.0.000	3-53	8	1
13.3127.0.000	3-7	36	1	14.1030.0.000	3-51	1	2	14.2060.0.000	3-53	28	1
13.3131.0.000	3-27	78	1	14.1035.0.050	3-45	19	1	14.2061.0.100	3-37	15	1
13.5014.0.000	3-3	28	1	14.1041.0.000	3-45	16	1	14.2069.0.000	3-25	5	(1)
13.5015.0.000	3-3	29	1	14.1042.0.000	3-47	6	(1)	14.2069.0.050	3-25	3	1
13.5021.1.000	3-7	48	1	14.1043.0.000	3-45	22	1	14.2069.0.802	3-25	6	(1)
13.5031.0.000	3-3	86	1	14.1046.0.050	3-45	7	(1)	14.2212.0.000	3-53	14	2
13.5031.0.901	3-3	79	(1)	14.1047.0.050	3-45	5	1	14.2213.0.000	3-53	25	2
13.5031.1.900	3-3	83	(1)	14.1058.0.000	3-23	2	1	14.2214.0.000	3-53	17	2
13.5032.1.000	3-3	82	(1)	14.1059.0.000	3-23	1	1	14.2254.1.901	3-35	13	1
13.5033.0.001	3	77	(2)	14.1064.2.000	3-23	8	1	14.2261.0.000	3-35	32	1
13.5033.0.002	3	78	(1)	14.1067.0.000	3-23	6	1				
				14.1070.0.000	3-47	39	1	14.3003.0.000			
14.0512.0.000				14.1089.0.000	3-43	12	1	14.3003.0.000	3-23	45	1
14.0512.0.000	3-3	70	1	14.1099.0.000	3-39	4	1	14.3004.0.000	3-23	25	(1)
14.0517.0.000	3-3	36	(1)	14.1108.0.050	3-37	23	1	14.3004.0.051	3-23	24	1
14.0522.1.050	3-3	30	1	14.1108.0.901	3-37	26	((1))	14.3005.0.000	3-23	42	1
14.0523.0.000	3-3	22	(1)	14.1155.1.000	3-43	6	(1)	14.3006.0.201	3-23	40	1
14.0523.1.050	3-3	19	1	14.1197.1.000	3-19	18	(1)	14.3015.0.000	3-17	33	1
14.0524.0.002	3-3	75	(1)	14.1230.1.000	3-49	33	(1)	14.3015.0.802	3-17	22	1
14.0524.1.050	3-3	72	1	14.1230.1.050	3-49	30	1	14.3017.0.000	3-17	21	1
14.0525.0.000	3-3	18	(1)	14.1236.0.000	3-23	15	1	14.3025.0.000	3-27	76	1
14.0525.0.003	3-3	1	1	14.1246.1.000	3-13	35	1	14.3047.0.801	3-9	29	1
14.0526.0.000	3-3	66	(1)	14.1250.0.000	3-47	37	2	14.3064.0.001	3-11	22	(1)
14.0526.1.050	3-3	63	1	14.1252.1.000	3-47	13	1	14.3064.0.830	3-11	17	1
14.0527.0.000	3-3	54	(1)	14.1258.1.000	3-47	11	1	14.3085.1.050	3-25	18	1
14.0527.1.050	3-3	53	1					14.3087.0.000	3-25	30	1
14.0530.0.000	3-3	60	(1)	14.2002.0.001				14.3088.0.000	3-25	23	1
14.0530.1.000	3-3	62	1	14.2002.0.001	3-53	9	1	14.3100.0.901	3-9	41	(1)
14.0531.1.000	3-3	76	1	14.2002.0.002	3-53	2	1	14.3100.1.050	3-9	34	1
				14.2003.0.000	3-53	3	1	14.3101.0.000	3-9	38	(1)
14.1003.0.000				14.2004.0.000	3-53	10	1	14.3129.0.000	3-7	45	1
14.1003.0.000	3-51	3	4	14.2007.1.000	3-53	33	1	14.3251.1.000	3-17	15	1
14.1005.0.000	3-51	20	1	14.2008.1.000	3-53	31	1				
14.1006.0.000	3-51	31	(1)	14.2009.0.000	3-27	91	2	14.4001.0.150			
14.1006.0.050	3-51	27	1	14.2013.0.000	3-13	19	1	14.4001.0.150	3-19	32	(1)
14.1007.0.000	3-51	29	(1)	14.2023.1.000	3-27	39	(1)	14.4001.0.151	3-19	1	1
14.1007.0.001	3-51	28	(1)	14.2024.0.000	3-27	37	(1)	14.4001.0.904	3-19	35	((1))
14.1008.0.000	3-51	21	1	14.2026.0.002	3-27	21	(1)	14.4002.0.000	3-19	20	((1))
14.1009.0.000	3-51	24	1	14.2026.0.003	3-27	48	(1)	14.4005.0.000	3-19	5	(1)
14.1015.0.000	3-51	34	1	14.2026.0.005	3-27	35	(1)	14.4008.1.000	3-19	3	(1)
14.1016.1.050	3-47	4	1	14.2026.0.006	3-27	36	(1)	14.4009.1.000	3-19	7	(1)
14.1017.0.000	3-47	5	(1)	14.2026.0.050	3-27	20	1	14.4011.0.200	3-19	22	((1))
14.1018.1.000	3-49	32	(1)	14.2039.0.801	3-27	04	(1)	14.4013.1.000	3-19	52	(1)
14.1020.0.100	3-51	7	1	14.2040.0.000	3-27	18	1	14.4015.1.000	3-19	24	(1)
14.1023.0.000	3-51	16	1	14.2040.0.901	3-27	17	(1)	14.4022.0.000	3-23	31	(1)
14.1025.1.000	3-47	15	2	14.2043.0.019	3-53	40	1	14.4022.0.051	3-23	30	1
14.1026.0.000	3-23	11	1	14.2047.0.019	3-53	39	1	14.4023.0.000	3-23	34	(1)
14.1028.0.000	3-47	31	1	14.2053.0.000	3-53	13	2	14.4023.0.000	3-47	27	1

Revised 09/2005

e-mail: service@amfreece.cz; parts@amfreece.cz; website: www.amfreece.com

Phones: +420 582 309 146 (Service), +420 582 309 286 (Spare Parts); Fax: +420 582 360 606

INDEX

PART NUMBER	PAGE	DET	QTY	PART NUMBER	PAGE	DET	QTY	PART NUMBER	PAGE	DET	QTY
14.4025.0.901				30.5024.0.000							
14.4025.0.901	19	69	1	30.5024.0.000	7	37	1				
14.4201.0.000	19	11	(1)	30.5025.1.000	7	41	1				
14.5019.0.000	25	13	1								
14.5034.0.000	39	6	1	40.0593.0.000							
				40.0593.0.000	51	23	2				
14.8888.2.287				66.0001.3.000							
14.8888.2.287	31	1	1	66.0001.3.000	41	17	(1)				
14.9005.0.050	47	24	2								
14.9008.0.050	19	19	(1)								
16.1098.0.050											
16.1098.0.050	41	3	(1)								
16.1098.0.850	41	1	1								
16.1109.0.000	3	21	(1)								
16.2001.0.120	15	27	1								
17.0002.4.121											
17.0002.4.121	41	8	(1)								
17.0004.7.253	43	4	(1)								
17.0007.8.171	55	24	—								
17.0007.8.172	55	24	—								
17.0007.8.173	55	24	—								
17.0012.6.096	41	4	(1)								
17.0016.3.400	41	7	(1)								
17.0019.0.367	41	15	(1)								
17.0019.0.441	57	23	4								
17.0031.1.401	13	23	1								
17.0031.1.401	23	14	1								
17.0041.8.400	41	6	(1)								
17.0051.0.066	43	13	1								
17.0055.4.415	55	25	—								
17.0055.4.416	55	25	—								
17.0055.4.416	57	45	1								
17.0061.2.415	41	5	(1)								
17.0082.6.000	51	13	4								
17.0083.1.655	55	19	1								
17.0094.5.309	13	24	1								
17.0094.6.009	55	1	1								
17.0095.1.272	57	46	4								
17.1088.1.050	43	1	1								
17.1099.0.000	41	14	(1)								
19.0095.1.405											
19.0095.1.405	57	24	4								
22.0216.0.000											
22.0216.0.000	55	13	(1)								
22.0217.0.000	55	9	(1)								
22.0218.0.000	55	3	1								

Revised 09/2005

e-mail: service@amfreece.cz; parts@amfreece.cz; website: www.amfreece.com



SERIES S104

S 104-100 TABLE

ASSEMBLY INSTRUCTIONS

PART NUMBER 97.0104.0.020

TABLE OF CONTENTS

FOREWORD	3
KIT IDENTIFICATION	4
SHIPMENT CONTENT	6
TABLE ASSEMBLY INSTRUCTIONS	7
ELECTRICAL WIRING DIAGRAMS	12
INDEX	22

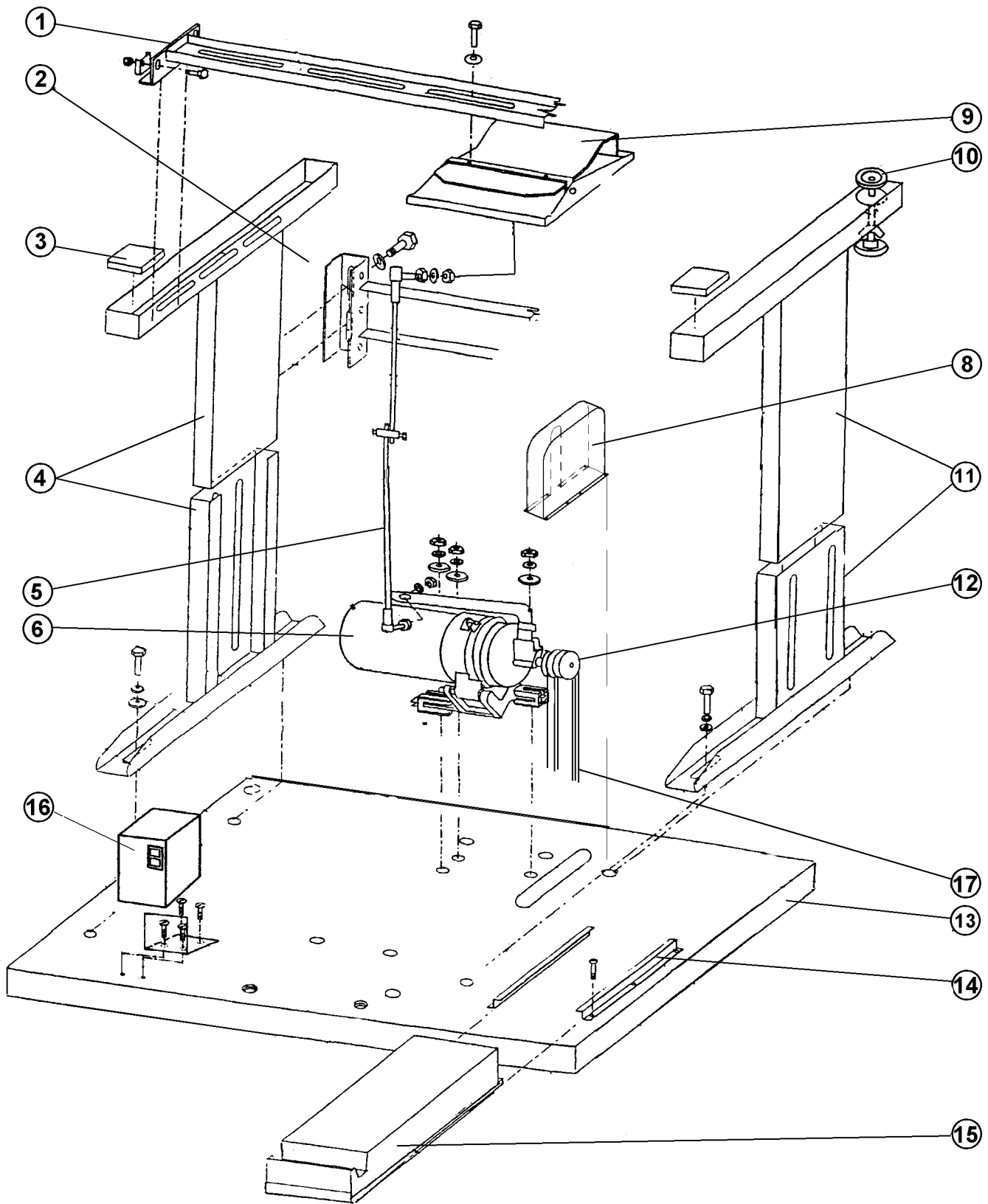
FOREWORD

FOREWORD

Delivered table is constructed exclusively for using together with clothing button hole machine S104-100 with stitching and possibility of inserting reaming thread. To avoid assembly and usage defects of this product a mechanic is needed to read and understand this documentation as well as information provided in „TABLE ASSEMBLY INSTRUCTIONS SERIE S104-100“, before he starts completing the product and an operator starts to employ it. It is necessary above all to follow safety instructions mentioned in both documentations and keep safety labels the product is provided with. Do not remove nor damage these labels. In case of label damaging, contact production firm:

AMF REECE CR, Prostějov a.s., tel/fax 0042-582-360608

KIT IDENTIFICATION



Revised 10/2005

e-mail: service@amfreece.cz; parts@amfreece.cz; website: www.amfreece.com

Phones: +420 582 309 146 (Service), +420 582 309 286 (Spare Parts); Fax: +420 582 360 606

KIT IDENTIFICATION

DET	PART NUMBER	DESCRIPTION
1,2,3,4,10,11	04.9000.2.123	Frame Kit Ass.
5	04.1956.1.000	Operating Rod
6	17.0007.8.171	Motor FIR 110V/60Hz 1Ph
6	17.0007.8.172	Motor FIR 240V/50Hz 1Ph
6	17.0007.8.173	Motor FIR 240-400V/50-60Hz 3Ph
8	17.0083.1.655	Cover
9	22.0218.0.000	Foot Pedal Ass.
12	17.0055.4.415	Pulley 60Hz
12	17.0055.4.416	Pulley 50Hz
13	04.1554.5.000	Table
14,15	12.0008.6.901	Draver
16	12.0008.4.504	Motor Starter 230V 3Ph
16	12.0008.4.502	Motor Starter 230V 1Ph
16	12.0008.4.503	Motor Starter 230/400V 3Ph
16	12.0008.4.505	Motor Starter 110V 1Ph
17	12.5050.1.014	Belt 10x1140 Li

SHIPMENT CONTENT

SHIPMENT CONTENT

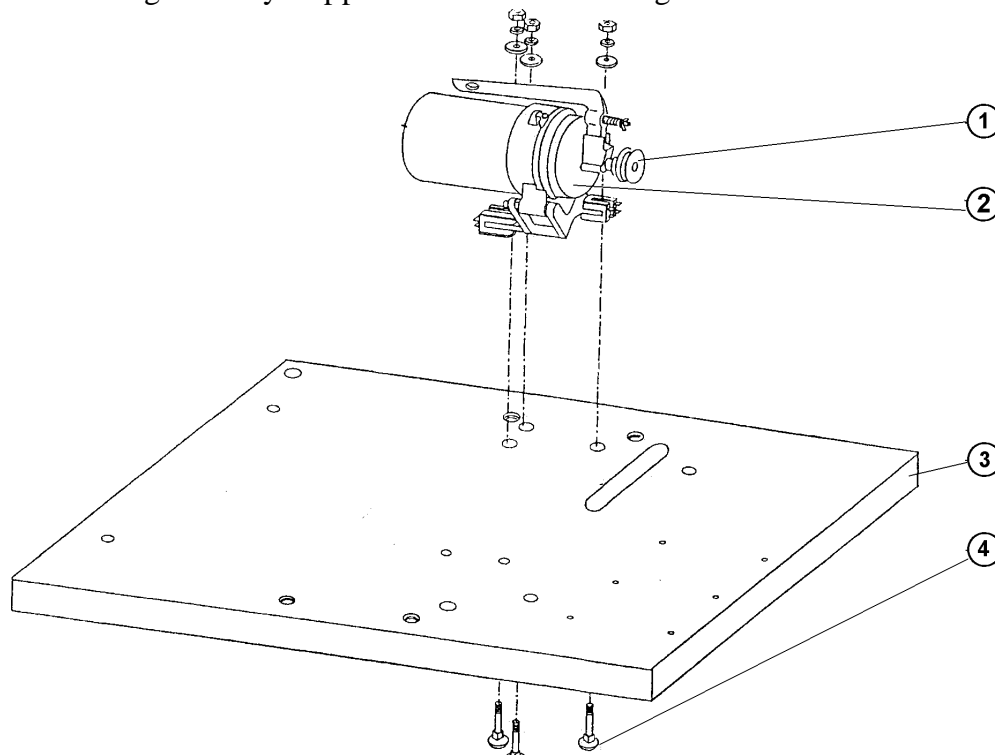
Table is supplied in disassembled state. During unpacking you follow attached "Usage instructions" and after unpacking check completeness of shipment according to ordered specification. Standard shipment contents:

- table (parallel or cross)
- disassembled frame of table consisting of:
 - left complete leg with hand adjusting screw
 - right complete leg with hand tightening screw of earthing conductor
 - hind cross beam
 - foot pedal cross beam
- drawer with line (2pcs)
- foot pedal assembly with mechanism
- pitman rod
- drive pulley motor
- wiring including two pin plug and operation circuit breaker
- set of linking parts together with rubber cushions (87pcs)
- drive belt (1pcs)

TABLE ASSEMBLY INSTRUCTIONS

PROGRESS OF WORK

1. Place the table top (P/N 05.1554.5.000) upside down on top of two spacers approximately 40 mm thick So you make acces to motor linking screws holes easier. Then install 3 carriage flat head bolts M8 (bolts point up) into 3 pre-drilled holes and drive them into the table top with arubber mallet. Install attached /from both sides) deadening fillers into motor holder slots, first insert distance tubes into three of them and provide all of six with metal washings puting in form taking - outs. After setting motor on the screws, screw nuts M8 with elastic washers and tighten lightly.
2. Remove the protective covering located on the motor shaft. Install the drive pulley to the motor using the key supplied on the shaft. Tighten the set screw to secure in place.



DET	PART NUMBER	DESCRIPTION
1	17.0055.4.415	Pulley 60Hz
1	17.0055.4.416	Pulley 50Hz
2	17.0007.8.171	Motor FIR 110V/60Hz 1Ph
2	17.0007.8.172	Motor FIR 240V/50Hz 1Ph
2	17.0007.8.173	Motor FIR 240-400V/50-60Hz 3Ph
3	04.1554.5.000	Table
4	08.6532.8.070	Carriage Bolt M8x70

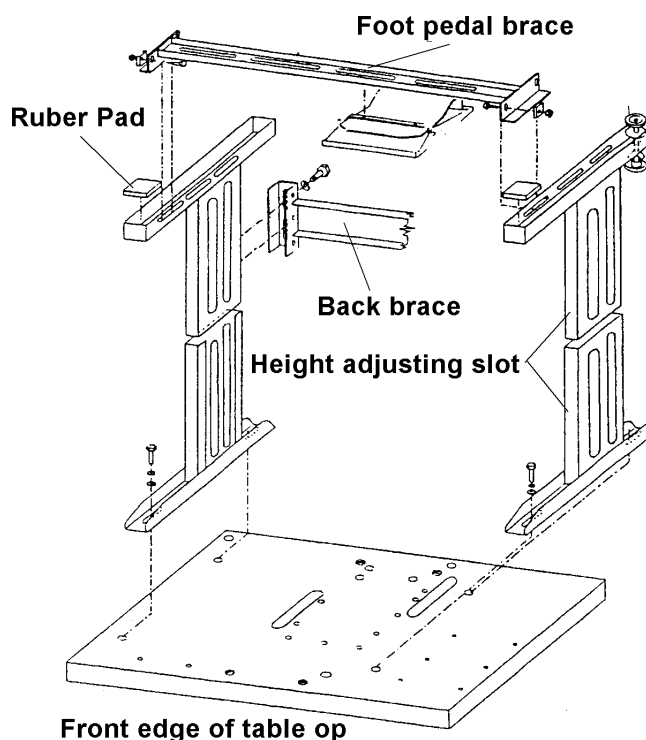
Revised 04/2003

e-mail: service@amfreece.cz; parts@amfreece.cz; website: www.amfreece.com

Phones: +420 582 309 146 (Service), +420 582 309 286 (Spare Parts); Fax: +420 582 360 606

TABLE ASSEMBLY INSTRUCTIONS

3. Using the four carriage bolts M8, washers, elastic washers and nuts, from the jackshaft kit, install the jackshaft bracket, as shown.
DO NOT tighten the bolts all the way.
4. Install the V belt connecting the jackshaft to the motor. For setting of the belt loose the screw which connects the motor with the holder. Turn the motor toward to jackshaft assembly release the motor brace for loose run of the pulley with the lover. Maximum deflection of the tensioned belts is 10 mm.
(Note: To ensure belt is correctly aligned with both pulleys, re-positioning of motor and jackshaft may be required.) Make sure the jackshaft assembly is square to the slots. Once belt is in place, tighten the bolts so the motor and jackshaft are secure.
5. Using screws M8-20 and washers, assemble table frame so that attach the leg provided with adjusting screw to the right from the motor (provided you stand at table top front edge and the motor is on the rear side from you) and the leg without screw to the left.
(Screw heads linking upper and lower part of webs are outside the table.)
6. Using screw M8-20 and washers, attach the back brace to the legs. It is necessary one of the screws on each leg to be provided with fan-shaped cushion before and also after washer for ensuring conductance of table frame. Do not tighten the bolts fully into place until lower brace is mounted.
7. Using bolts M8-20, washers from a side of the brace and nuts M8 inserted into V-strip inside leg profile for secure bolt tightening without the second key attach the lower brace. It is necessary again to provide one of the screws on each side with fan-shaped washers set under washers for ensuring conductance. It is recommended such brace position when the first screw is in the leg first slot and the second screw in the second slot.
8. The two bolts and slots on both left and right leg assemblies are used to adjust the height of the table.
NOTE! During adjust of appropriate table height not forget to loose screws of joining



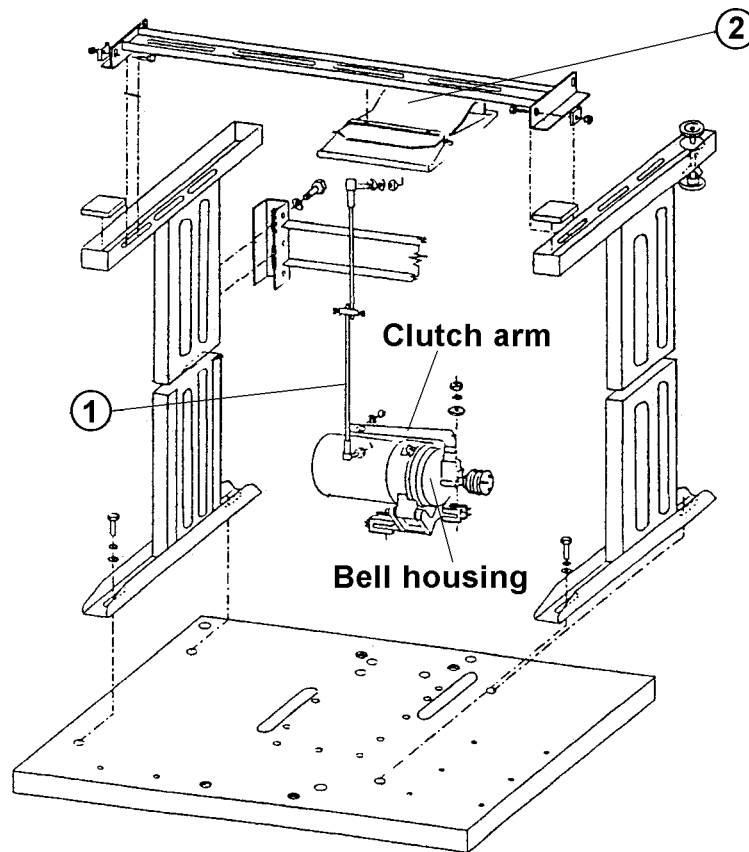
Revised 04/2003

e-mail: service@amfreece.cz; parts@amfreece.cz; website: www.amfreece.com

Phones: +420 582 309 160 (Service), +420 582 309 189 (343) (Spare Parts); Fax: +420 582 360 606

TABLE ASSEMBLY INSTRUCTIONS

- rod clutch and after height adjusting adjust the joining rod again.
9. After firm tightening of all frame screws put rubber cushion on the end of each leg. It is recommended to stick the cushions f.e. with Loctit.
 10. Attach the foot pedal with the bolts and washers provided so that it would be approximately in the middle of the brace.
 11. Attach the pitman rod-ball joint to the foot pedal and into the arm of the motor (using the hole farthest from the pulley), with the bolt facing the side of the table. Observe the angle of the pitman rod and make sure it is as straight as possible.

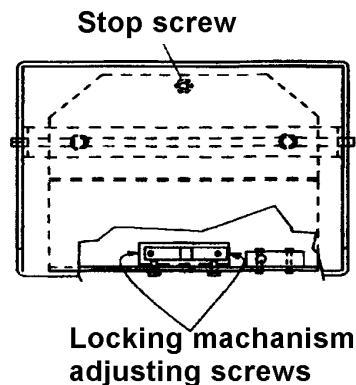


DET	PART NUMBER	DESCRIPTION
1	04.1956.1.000	Operating Rod
2	22.0218.0.000	Foot Pedal Ass.

TABLE ASSEMBLY INSTRUCTIONS

12. Loosen length adjustment on pitman rod. Engage the foot pedal assembly into the locking position by manually pressing down on the back ped of the pedal until it locks. (If it does not lock, adjust the screws on the sides of the locking mechanism, as necessary.) Pull the clutch arm all the way down and securely tighten the pitman rod length adjustment.

13. With the pedal engaged, clearance of approximately 10 mm must be maintained between the stop screw and the front of the pedal. If clearance is not correct, Adjust the stop screw.

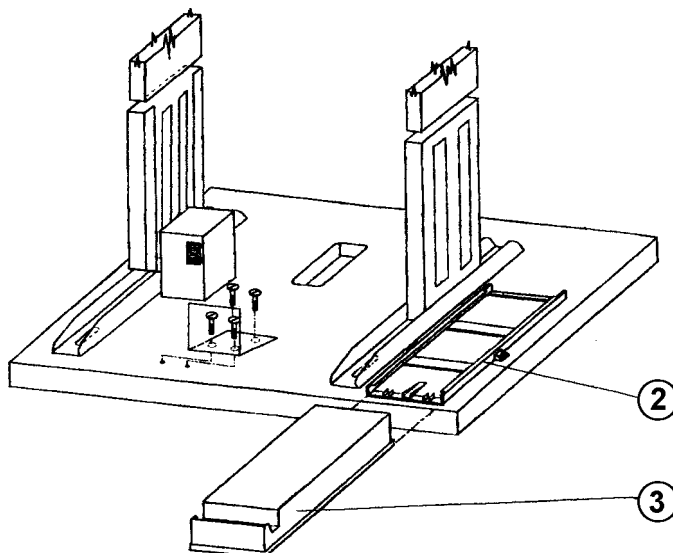


14. Using six wood screws, install drawer rails from the drawer kit to the right front side of the table (as shown). Slide the drawer between the rails.

15. Using imbus screws, install the motor switch into installed sink nuts.

16. Wire the motor starter switch box to the motor, using the diagram provided in the electrical wiring section. (Note: It may be necessary to trim the wire to length before connecting it to the motor.)

17. Re-check all bolts and screws on the table to make sure they are tighten.



DET	PART NUMBER	DESCRIPTION
2,3	12.0008.6.901	Drawer

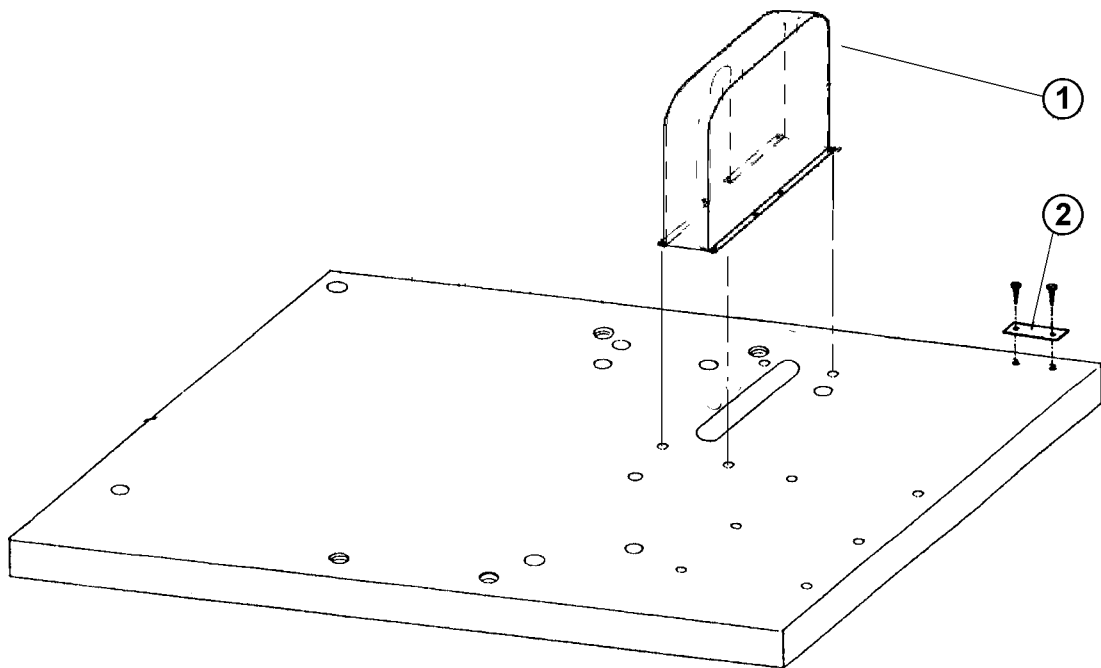
Revised 04/2003

e-mail: service@amfreece.cz; parts@amfreece.cz; website: www.amfreece.com

Phones: +420 582 309 160 (Service), +420 582 309 189 (343) (Spare Parts); Fax: +420 582 360 606

TABLE ASSEMBLY INSTRUCTIONS

19. Install the motor cover and machine head and after their reciprocal adjustment after placing the belt using 3 pcs of imbus screws M6-12, washers and springy



DET	PART NUMBER	DESCRIPTION
1	17.0083.1.655	Cover
2	04.1416.0.003	Serial Number Plate

TABLE ASSEMBLY INSTRUCTIONS

20. Turn the table right side up and adjust table adjusting screw. Set the table on the floor.
21. Make a mark f. e. with chalk on the motor pulley and turn on the main power.
22. Start the motor and make sure the motor pulley rotates according to arrow on the motor.

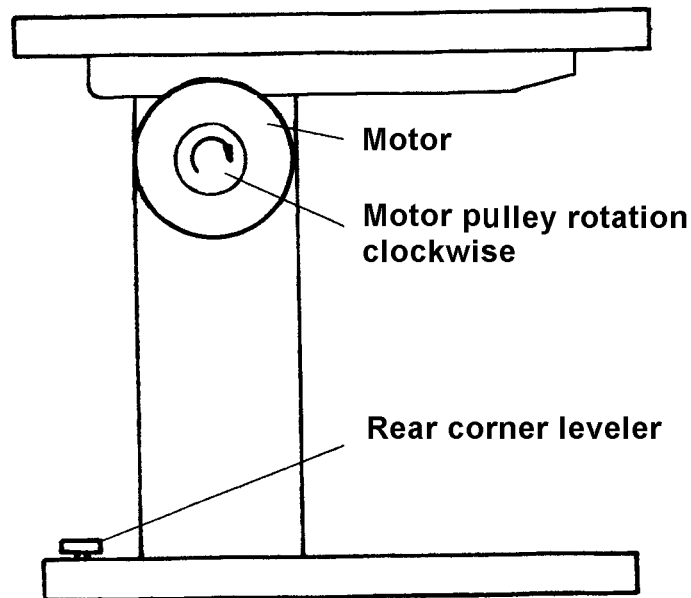


TABLE ASSEMBLY INSTRUCTIONS

WIRING DIAGRAM AND INSTALLATION

Put wiring out of a transport box. Using screws provided, attach operation switch case (QMF1) to machine table, slide conductors in inserting strip, screwed according to the picture and close the cover. Ensure linking of a conductors to marked connecting spots with installed screws according to diagram.

WARNING! Compactness of machine conductive constructional elements protective interconnection has to be secured according to diagram No. 5.

NOTE! Wiring installation may be carried out only by a person with appropriate electrotechnical qualification.

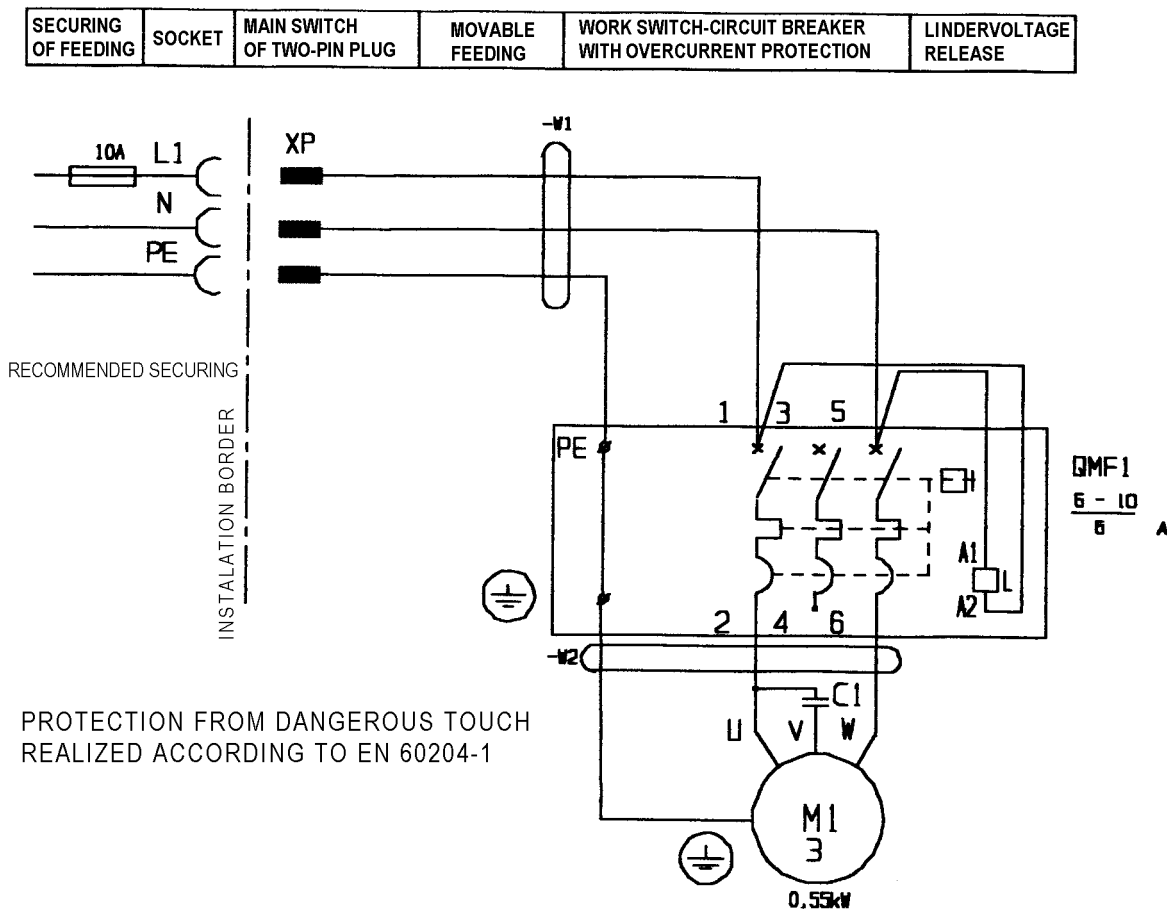
Aplugging two-pin plug into socket, examine direction of motor rotation after operation switch switching and foot pedal stepping all the way down. The right rotation direction is marked with an arrow on motor body.

Legend of wiring diagrams descriptions:

XP	- head switch - two-pin plug
QMF1	- operation switch, circuit breaker
M1	- motor
W1	- feeding cable
W2	- feeding conductor for M1
C1	- starting condenser

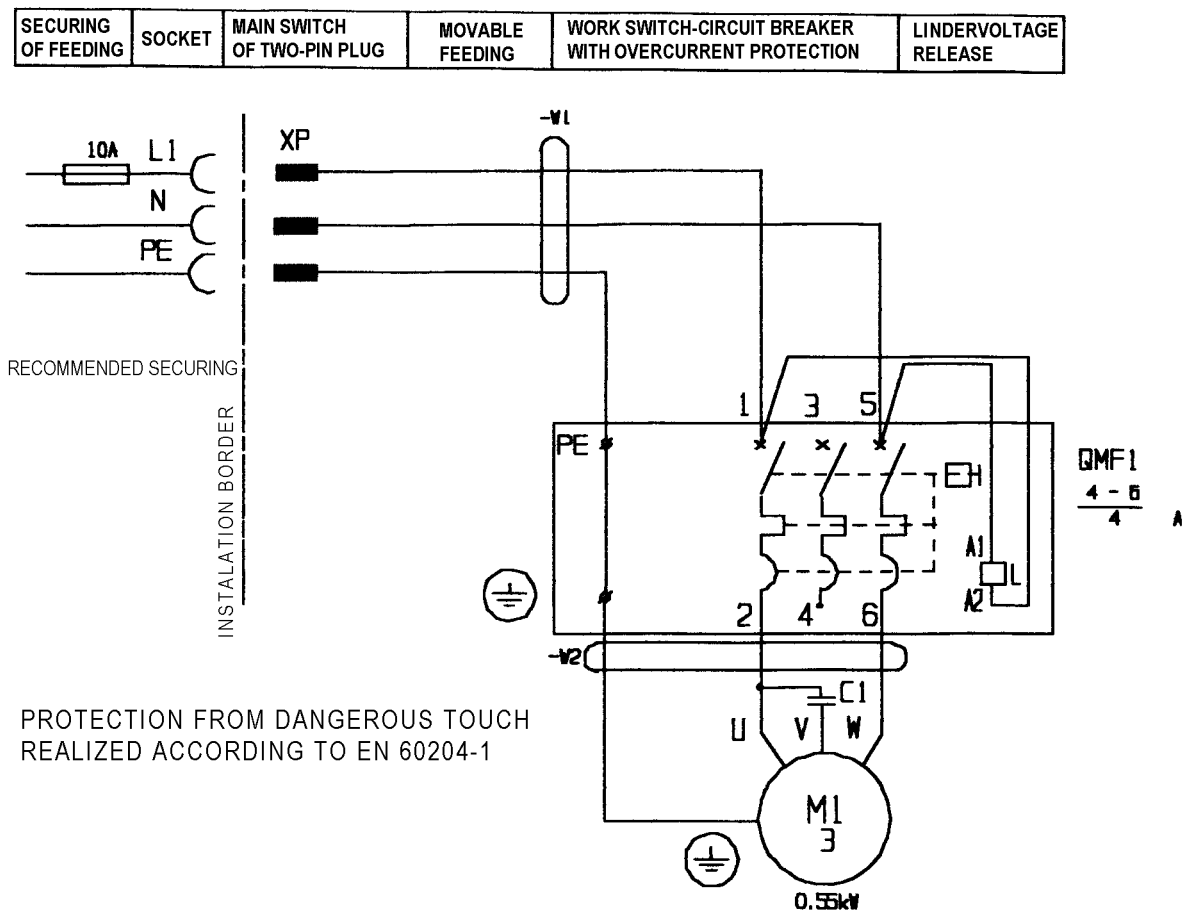
ELECTRICAL WIRING DIAGRAMS

1. DIAGRAM OF CONNECTION 1N+PE 110V/60Hz



ELECTRICAL WIRING DIAGRAMS

2. DIAGRAM OF CONNECTION 1N+PE 230V/50Hz



Revised 04/2003

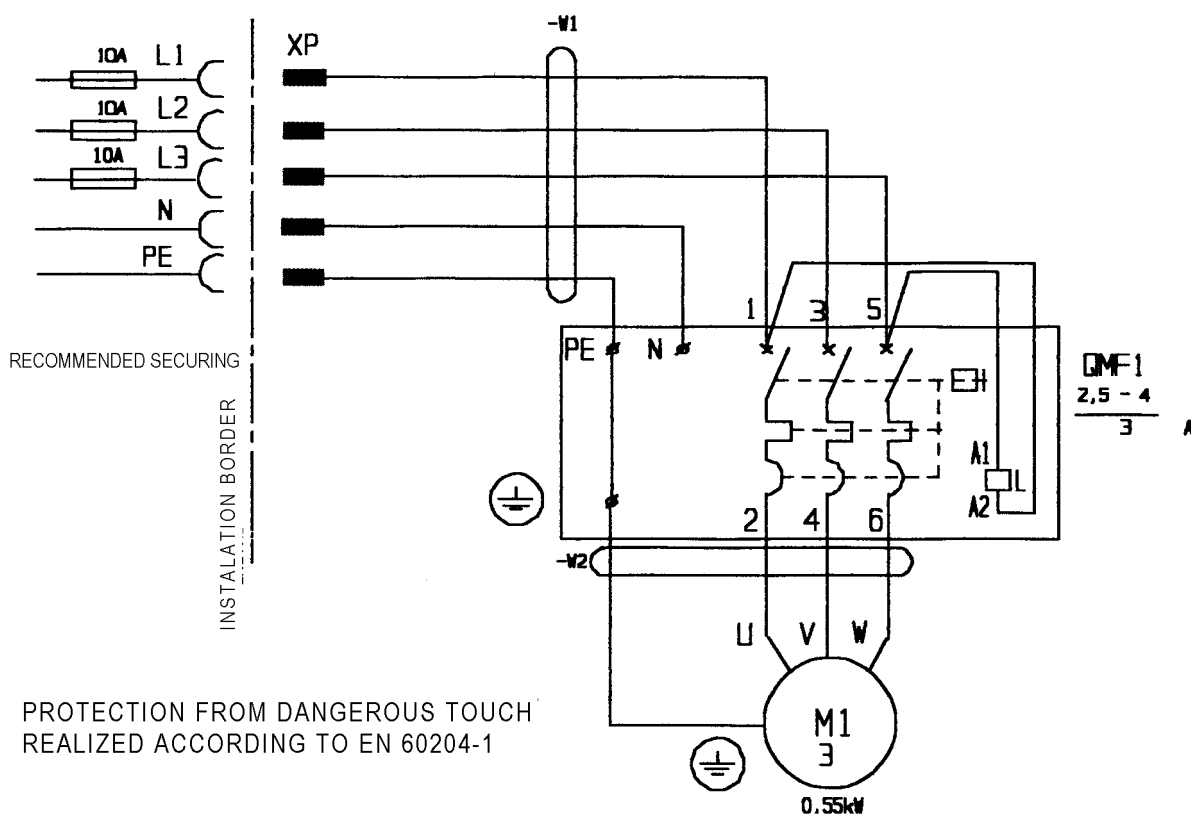
e-mail: service@amfreece.cz; parts@amfreece.cz; website: www.amfreece.com

Phones: +420 582 309 160 (Service), +420 582 309 189 (343) (Spare Parts); Fax: +420 582 360 606

ELECTRICAL WIRING DIAGRAMS

3. DIAGRAM OF CONNECTION 3N+PE 230V/60Hz

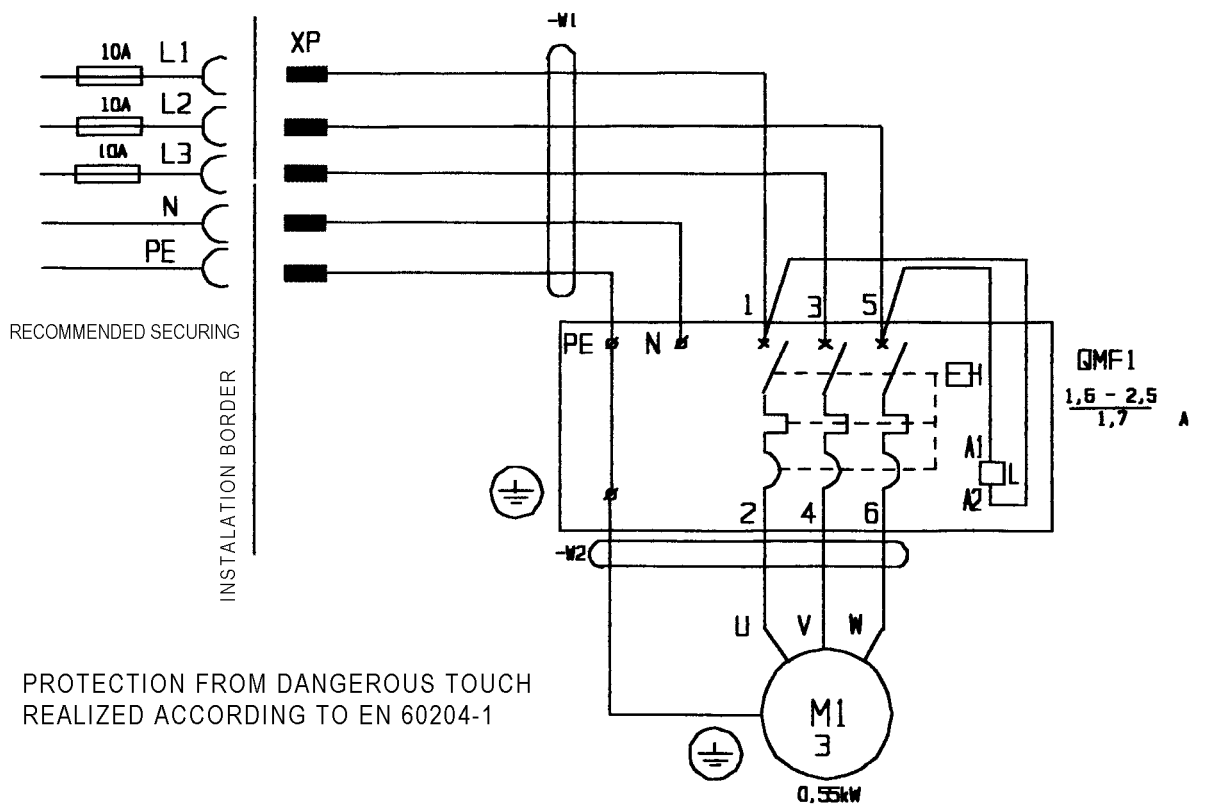
SECURING OF FEEDING	SOCKET	MAIN SWITCH OF TWO-PIN PLUG	MOVABLE FEEDING	WORK SWITCH-CIRCUIT BREAKER WITH OVERCURRENT PROTECTION	LINDEVOLTAGE RELEASE
---------------------	--------	-----------------------------	-----------------	---	----------------------



ELECTRICAL WIRING DIAGRAMS

4. DIAGRAM OF CONNECTION 3N+PE 400V/50Hz

SECURING OF FEEDING	SOCKET	MAIN SWITCH OF TWO-PIN PLUG	MOVABLE FEEDING	WORK SWITCH-CIRCUIT BREAKER WITH OVERCURRENT PROTECTION	LINDERVOLTAGE RELEASE
---------------------	--------	-----------------------------	-----------------	---	-----------------------



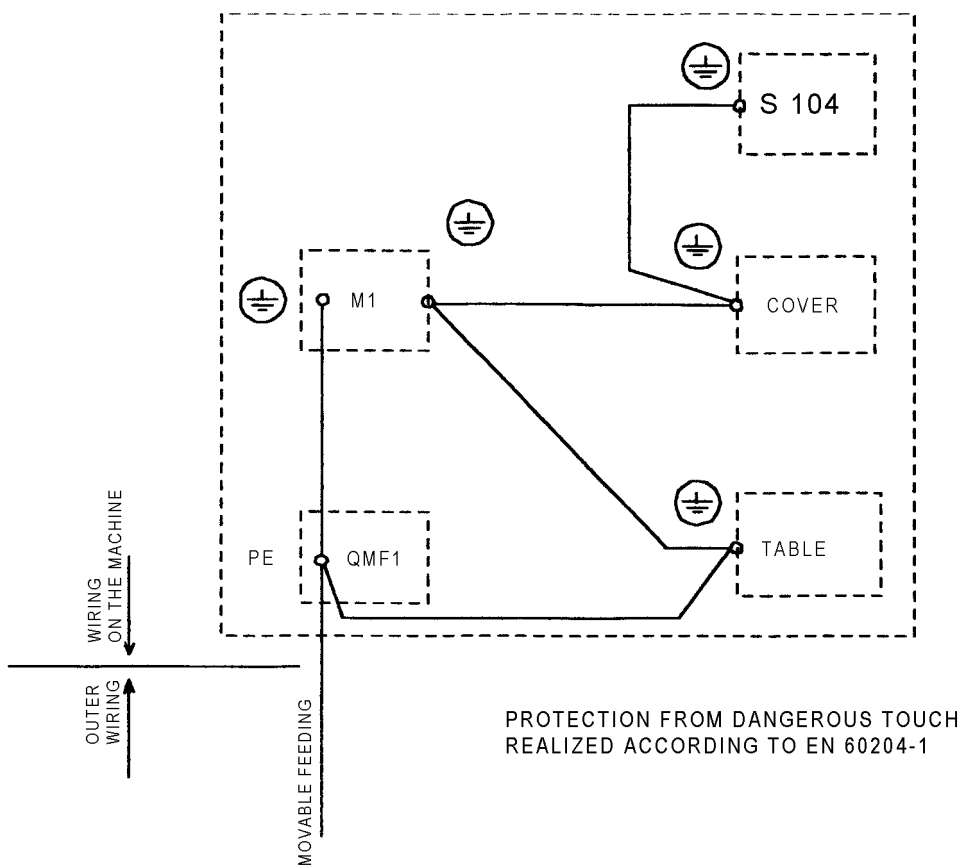
Revised 04/2003

e-mail: service@amfreece.cz; parts@amfreece.cz; website: www.amfreece.com

Phones: +420 582 309 160 (Service), +420 582 309 189 (343) (Spare Parts); Fax: +420 582 360 606


ELECTRICAL WIRING DIAGRAMS

5. DIAGRAM OF CONDUCTIVE CONSTRUCTIONAL ELEMENTS INTRCONECTION



PROTECTION FROM DANGEROUS TOUCH
REALIZED ACCORDING TO EN 60204-1

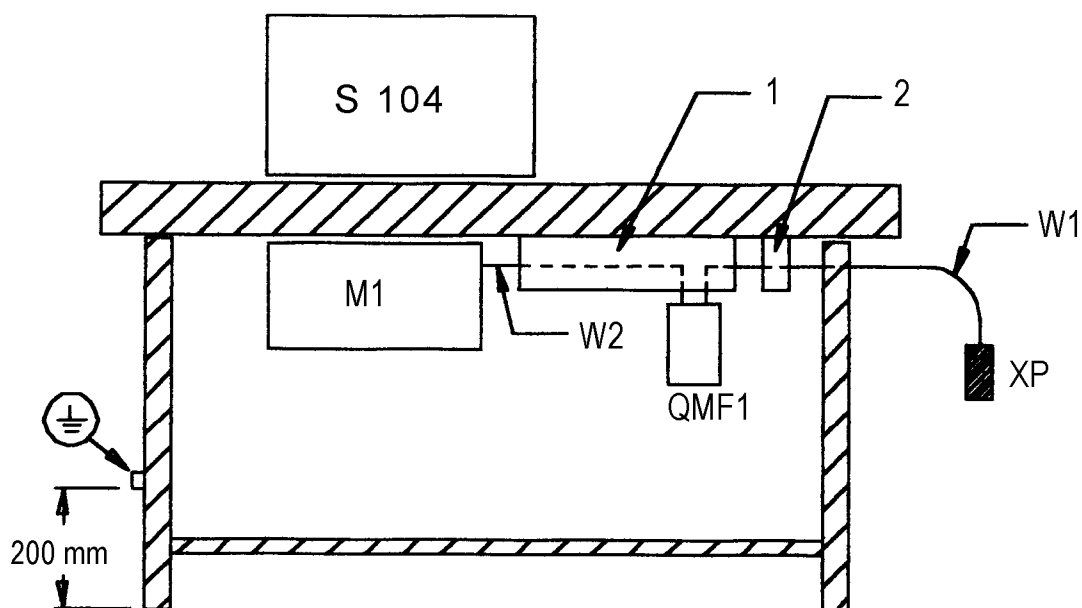
LEGEND

- S104 - CLOTHING BUTTONHOLE MACHINE
- M1 - 3 F MOTOR; 1148/C
- QMF1 - CIRCUIT BRACKER WITH OVERCURRENT PROTECTION SM1-2,5
-  - INNER TERMINAL CONNECTOR FOR POTENCIONAL DIFFERENCE OF EQUALIZING
- PROTECTIVE JOINING OF CONDUCTIVE CONSTRUCTIONAL PARTS WITH A CONDUCTOR 1 mm
- CONDUCTORS COLOUR - GREEN YELLOW

Outer clamp for adjustment of potential difference is marked on kit.

ELECTRICAL WIRING DIAGRAMS

6. ASSEMBLY DIAGRAM



LEGEND:

S101 - CLOTHING BUTTONHOLE MACHINE

QMF1 - WORK SWITCH - CIRCUIT BREAKER WITH OVECURRENT PROTECTION SM1-2,5

XP - MAIN SWITCH - PLUG

M1 - 3Ph MOTOR; 1148/C

W1 - FEED CABLE

W2 - FEED CABLE FOR M1

⊕ - INTER TERMINAL CONNECTOR FOR POTENTIAL DIFFERENCE EQUALIZING

1 - COLLECTOR STRIP LV 40X15

2 - CABLE CLIP "A"

PROTECTION FROM DANGEROUS TOUCH REALIZED ACCORDING TO EN 60204-1

Revised 04/2003

e-mail: service@amfreece.cz; parts@amfreece.cz; website: www.amfreece.com

Phones: +420 582 309 160 (Service), +420 582 309 189 (343) (Spare Parts); Fax: +420 582 360 606

INDEX

PART NUMBER	PAGE	DET.
04.1416.0.003	11	2
04.1554.5.000	5	13
04.1554.5.000	7	3
04.1956.1.000	5	5
04.1956.1.000	9	1
04.9000.0.123	5	1,2,3,4,10,11
08.6532.8.070	7	4
12.0008.4.502	5	16
12.0008.4.503	5	16
12.0008.4.504	5	16
12.0008.4.505	5	16
12.0008.6.901	5	14,15
12.0008.6.901	10	2,3
12.5050.1.014	5	17
17.0007.8.171	5	6
17.0007.8.171	7	2
17.0007.8.172	5	6
17.0007.8.172	7	2
17.0007.8.173	5	6
17.0007.8.173	7	2
17.0055.4.415	5	12
17.0055.4.415	7	1
17.0055.4.416	5	12
17.0055.4.416	7	1
17.0083.1.655	5	8
17.0083.1.655	11	1
22.0218.0.000	5	9
22.0218.0.000	9	2