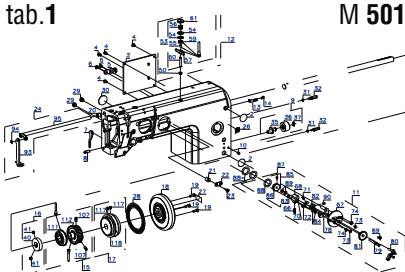
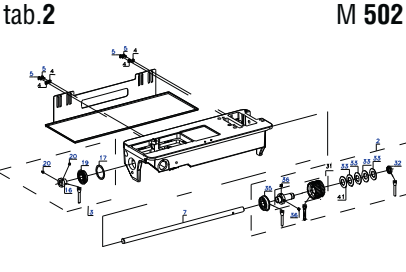
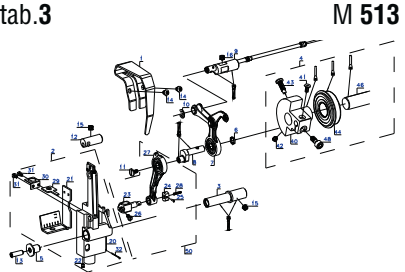
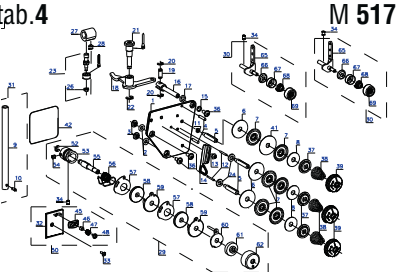
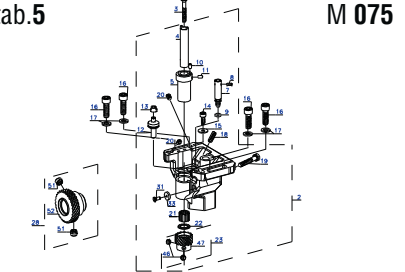
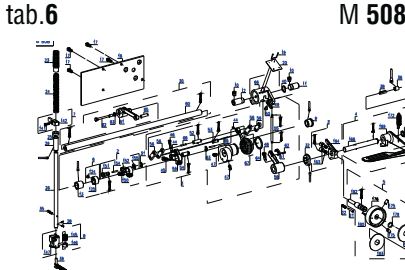
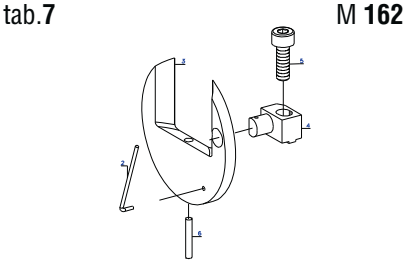
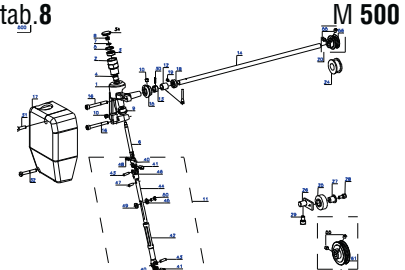
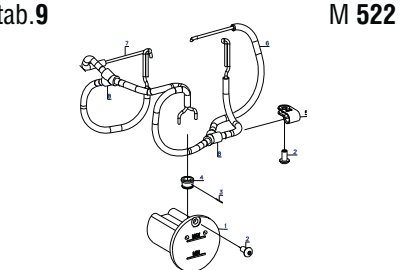
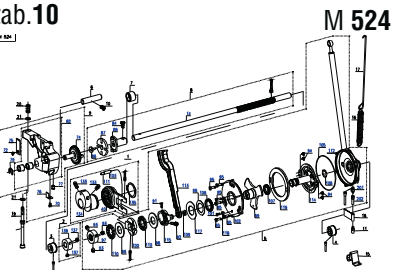
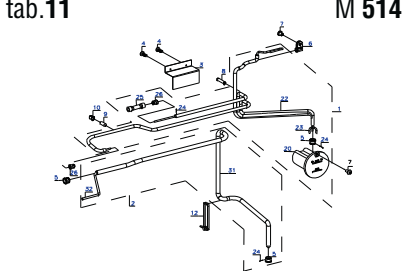
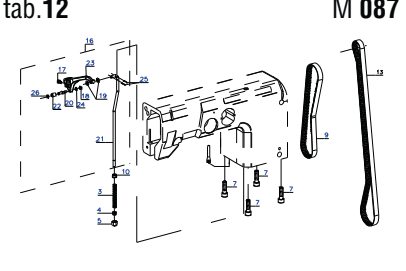
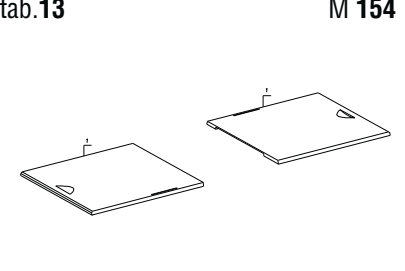
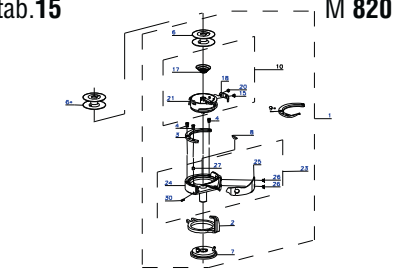
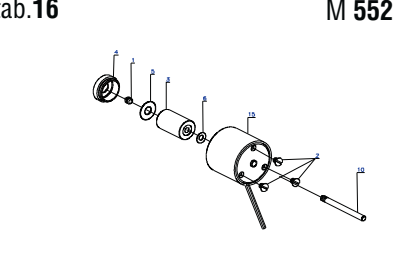
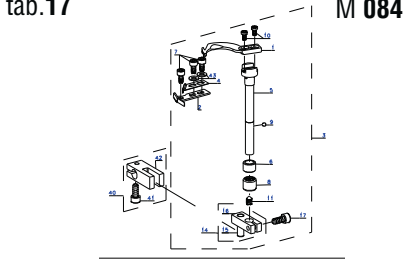
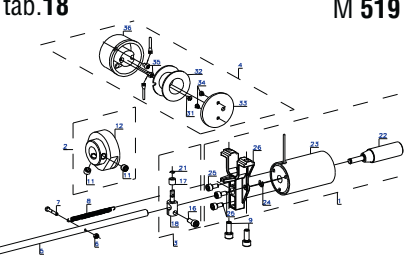
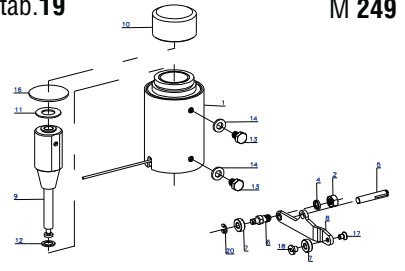
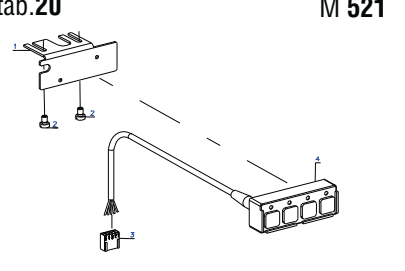
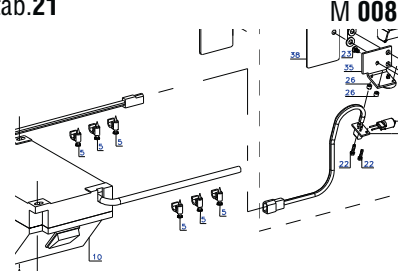
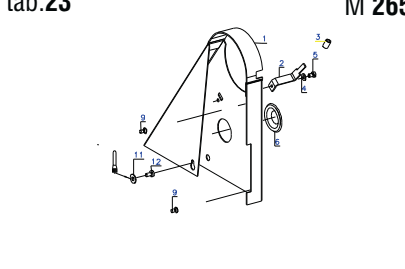
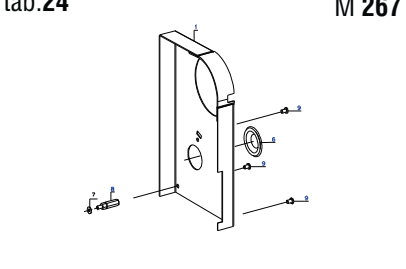
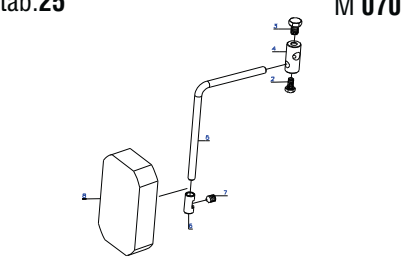
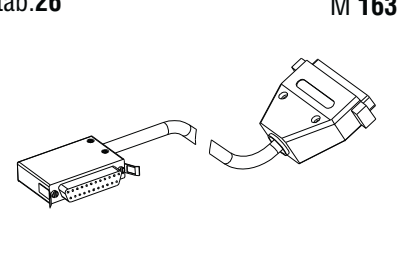
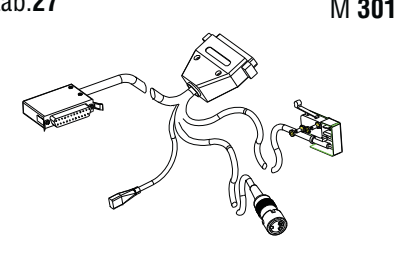



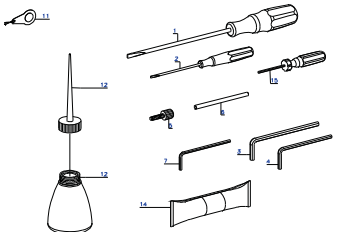
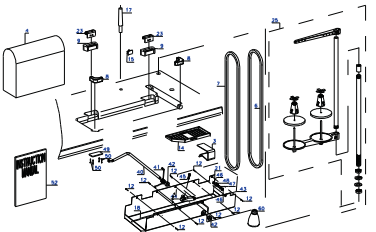
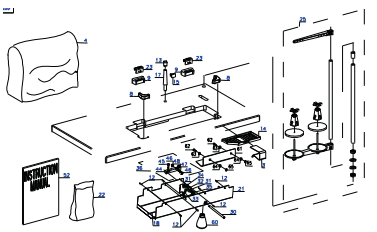
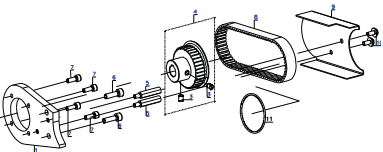
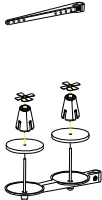
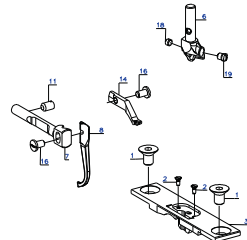
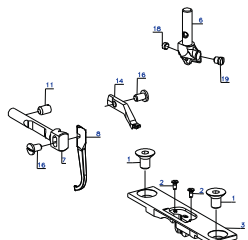
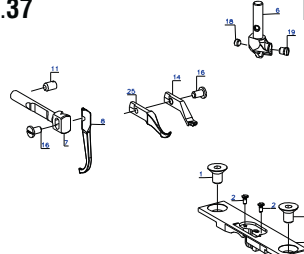
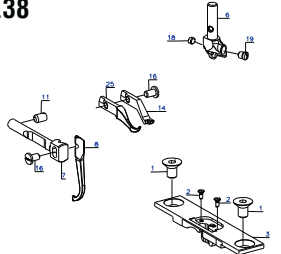
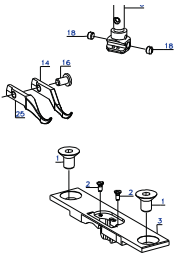
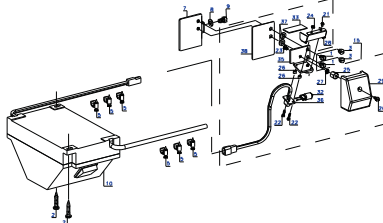
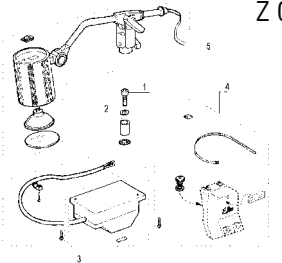
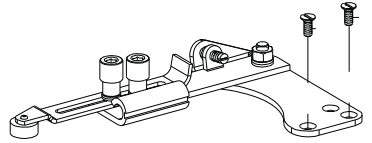
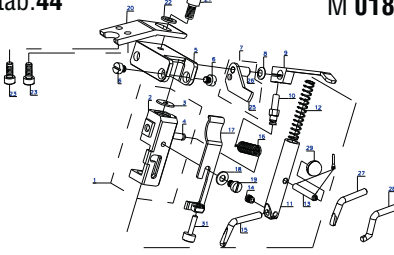
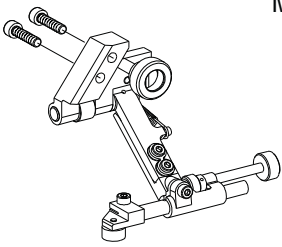
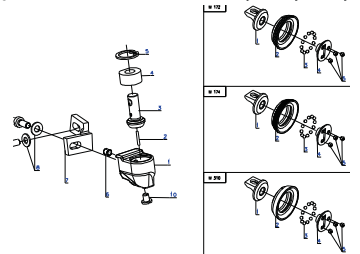
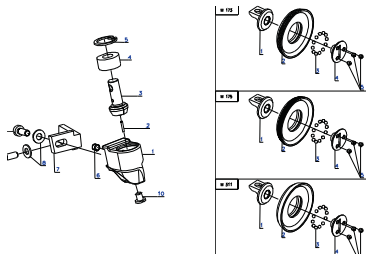
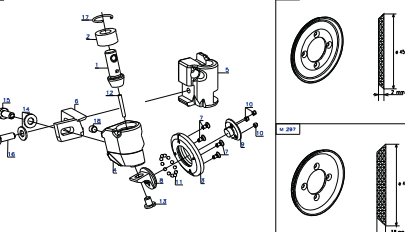


Spare parts list

1280i - 6

Данная информация для
Вас предоставлена
ООО "ШВЕЙПРОМКОМПЛЕКТ"
т/ф (499) 2592598 г.Москва
www.shveiprom.com
2592598@mail.ru

<p>tab.1 M 501</p> 	<p>tab.2 M 502</p> 	<p>tab.3 M 513</p> 	<p>tab.4 M 517</p> 	<p>tab.5 M 075</p> 
<p>tab.6 M 508</p> 	<p>tab.7 M 162</p> 	<p>tab.8 M 500</p> 	<p>tab.9 M 522</p> 	<p>tab.10 M 524</p> 
<p>tab.11 M 514</p> 	<p>tab.12 M 087</p> 	<p>tab.13 M 154</p> 	<p>tab.15 M 820</p> 	<p>tab.16 M 552</p> 
<p>tab.17 M 084</p> 	<p>tab.18 M 519</p> 	<p>tab.19 M 249</p> 	<p>tab.20 M 521</p> 	<p>tab.21 M 008</p> 
<p>tab.23 M 265</p> 	<p>tab.24 M 267</p> 	<p>tab.25 M 070</p> 	<p>tab.26 M 163</p> 	<p>tab.27 M 301</p> 

<p>tab.28 M 325</p> 	<p>tab.29 M 015</p> 	<p>tab.30 M 179</p> 	<p>tab.31 M 255</p> 	<p>tab.32 M 300</p> 																														
<p>tab.33 M 016</p> 	<p>tab.35 M 024</p> 	<p>tab.36 M 025</p> 	<p>tab.37 M 026</p> 	<p>tab.38 M 027</p> 																														
<p>tab.39 M 028</p> 	<p>tab.40 M 111,029,030,031,114,115 032,116,117,118,119</p> <table border="1" data-bbox="537 742 884 957"> <tr> <td>M 111</td> <td>M 029</td> <td>M 030</td> <td>M 031</td> <td>M 114</td> <td>M 115</td> </tr> <tr> <td>NEEDLE 80-80 CATEGORY 202</td> <td>NEEDLE 80-80 CATEGORY 202</td> <td>NEEDLE 80-110 CATEGORY 202</td> <td>NEEDLE 110-140 CATEGORY 202</td> <td>NEEDLE 80-110 CATEGORY 202</td> <td>NEEDLE 110-140 CATEGORY 202</td> </tr> <tr> <td>M 116</td> <td>M 117</td> <td>M 118</td> <td>M 119</td> <td>M 116</td> <td>M 119</td> </tr> <tr> <td>NEEDLE 110-140 CATEGORY 202</td> <td>NEEDLE 140-160 CATEGORY 202</td> <td>NEEDLE 110-140 CATEGORY 202</td> <td>NEEDLE 140-160 CATEGORY 202</td> <td>NEEDLE 140-160 CATEGORY 202</td> <td>NEEDLE 140-160 CATEGORY 202</td> </tr> </table>	M 111	M 029	M 030	M 031	M 114	M 115	NEEDLE 80-80 CATEGORY 202	NEEDLE 80-80 CATEGORY 202	NEEDLE 80-110 CATEGORY 202	NEEDLE 110-140 CATEGORY 202	NEEDLE 80-110 CATEGORY 202	NEEDLE 110-140 CATEGORY 202	M 116	M 117	M 118	M 119	M 116	M 119	NEEDLE 110-140 CATEGORY 202	NEEDLE 140-160 CATEGORY 202	NEEDLE 110-140 CATEGORY 202	NEEDLE 140-160 CATEGORY 202	NEEDLE 140-160 CATEGORY 202	NEEDLE 140-160 CATEGORY 202	<p>tab.41 M 010</p> 	<p>tab.42 Z 012</p> 	<p>tab.43 M 198</p> 						
M 111	M 029	M 030	M 031	M 114	M 115																													
NEEDLE 80-80 CATEGORY 202	NEEDLE 80-80 CATEGORY 202	NEEDLE 80-110 CATEGORY 202	NEEDLE 110-140 CATEGORY 202	NEEDLE 80-110 CATEGORY 202	NEEDLE 110-140 CATEGORY 202																													
M 116	M 117	M 118	M 119	M 116	M 119																													
NEEDLE 110-140 CATEGORY 202	NEEDLE 140-160 CATEGORY 202	NEEDLE 110-140 CATEGORY 202	NEEDLE 140-160 CATEGORY 202	NEEDLE 140-160 CATEGORY 202	NEEDLE 140-160 CATEGORY 202																													
<p>tab.44 M 018</p> 	<p>tab.45 M 149</p> 	<p>tab.46 M 055,082,083,132,133,134, 135,194,242,520</p> <table border="1" data-bbox="940 1029 1299 1252"> <tr> <td>M 055</td> <td>M 082</td> <td>M 083</td> <td>M 132</td> <td>M 133</td> <td>M 134</td> </tr> <tr> <td>M 135</td> <td>M 194</td> <td>M 242</td> <td>M 520</td> <td>M 055</td> <td>M 082</td> </tr> <tr> <td>M 083</td> <td>M 132</td> <td>M 133</td> <td>M 134</td> <td>M 135</td> <td>M 194</td> </tr> <tr> <td>M 242</td> <td>M 520</td> <td>M 055</td> <td>M 082</td> <td>M 083</td> <td>M 132</td> </tr> <tr> <td>M 133</td> <td>M 134</td> <td>M 135</td> <td>M 194</td> <td>M 242</td> <td>M 520</td> </tr> </table>	M 055	M 082	M 083	M 132	M 133	M 134	M 135	M 194	M 242	M 520	M 055	M 082	M 083	M 132	M 133	M 134	M 135	M 194	M 242	M 520	M 055	M 082	M 083	M 132	M 133	M 134	M 135	M 194	M 242	M 520	<p>tab.47 M 156,172,174,310</p> 	<p>tab.48 M 157,173,175,311</p> 
M 055	M 082	M 083	M 132	M 133	M 134																													
M 135	M 194	M 242	M 520	M 055	M 082																													
M 083	M 132	M 133	M 134	M 135	M 194																													
M 242	M 520	M 055	M 082	M 083	M 132																													
M 133	M 134	M 135	M 194	M 242	M 520																													
<p>tab.49 M 295,296,297</p> 																																		

How to read the spare parts list :

- The list is grouped according to construction modules. A module is a group of parts fulfilling in the machine a concrete function. The abbreviated module designation is given in the left top corner both of the drawing and of the text. The complete module designation (as given in the delivery note) is related to the abbreviated designation as follows:

Abbreviated Complete
MXXX = S980 000XXX


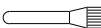
Items in the order are presented under complete code (ten-digit number)

- This catalogue is common for a number of machine models whose type designation agrees with the first five digits printed on the catalogue cover. The complete type designation of the machine is then used for identifying the modules (lists of parts) mounted on the machine in question.

The complete type designation has the following structure:

XXXX - XXX - XXX
Class Subclass Sewing category

The contents is divided into sections corresponding to this structure. A table situated at the head of each section gives information on which modules are applied to a particular machine model. The machine class and subclass are printed on the label situated on the machine bed plate and visible with tilted machine head. The sewing category is indicated on the tag supplied together with the machine.

- All items, the complete code (ten-digit number) of which are presented in the tables there is possible to order as spare parts.
- The symbol  shows that the part is to be lubricated by grease (used for the machine assembly).
- The symbol  shows that the part is glued (used for the machine assembly).

Parts marked in the drawings with the symbol * and with the remark * SPARE PARTS SUPPLIED WITH THE MACHINE are attached with head of machine.

CONTENTS :

Modules of machine head and of enclosed accessories

Abbreviated module No.	Ordering (complete) module No.	Denomination	Table No.
Class (modules identical for all subclasses)			
M 501		Machine arm	1
M 502		Bed plate	2
M 513		Needle and thread mechanism	3
M 517		Thread tensioner plate	4
M 075		Hook box	5
M 508		Needle feeding	6
M 162		Guide of lower wheel feed	7
M 500		Top roller drive	8
M 522		Hooks lubrication	9
M 524		Lower feed wheel	10
M 514		Lubrication	11
M 087		Universal part group for flat bed machines	12
M 154		Plates pug-in	13
Subclass			
-		Table of subclasses	14
M 820		Sewing hook	15
M 552	S980 000552	Electromagnetically controlled top roller lifting	16
M 084	S980 000084	Thread trimmer	17
M 519	S980 000519	Thread trimmer drive	18
M 249	S980 000249	Electromagnetically controlled backtacking	19
M 521	S980 000521	Push-button panel	20
M 008	S980 000008	Electrical switch board	21
M 520	S980 000520	Parts for machine without trimming	46

Abbreviated module No.	Ordering (complete) module No.	Denomination	Table No.
Parts sets			
-		Table of parts sets	22
	1200 001000	Parts set for V-belt drive (clutch motor)	22
	1200 007000	Parts set for V-belt drive (stopmotor EFKA)	22
	1200 007100	Parts set for V-belt drive (without stopmotor)	22
	1200 009000	Parts set for indented belt drive (minimotor EFKA)	22
	1200 009100	Parts set for indented belt drive (without minimotor) *	22
Sewing equipment			
-		Table of sewing equipment	34
	1280 E60100	Sewing set for needles 60-80 class 100	34
	1280 E60200	Sewing set for needles 80-110 class 200	34
	1280 E60300	Sewing set for needles 110-140 class 300	34
	1280 E60400	Sewing set for needles 160-180 class 400	34
Optional equipments			
M 010	S980 000010	Lighting	41
Z 012	S794 222012	Lighting halogen (12 V, 20 W - contains transformer)	42
M 198	S980 000198	Sewn work guide	43
M 018	S980 000018	Sewn work guide	44
M 149	S980 000149	Sewn work guide	45
M 242	S980 000242	Adjustable gauge	46
M 194	S980 000194	Rear guide holder	46
M 326	S980 000326	Top roller ø 25 mm cpl. (contain M 156,M 172)	47
M 327	S980 000327	Top roller ø 25 mm rubber coated cpl. (contain M 156,M 174)	47
M 328	S980 000328	Top roller ø 25 mm smooth cpl. (contain M 156,M 310)	47
M 329	S980 000329	Top roller ø 35 mm cpl. (contain M 157,M 173)	48
M 330	S980 000330	Top roller ø 35 mm rubber coated cpl. (contain M 157,M 175)	48
M 331	S980 000331	Top roller ø 35 mm smooth cpl. (contain M 157,M 311)	48
M 332	S980 000332	Top roller ø 45 mm, width 2.0 mm cpl. (contain M 295,M 296)	49
M 333	S980 000333	Top roller ø 45 mm, width 3.8 mm cpl. (contain M 295,M 297)	49

*Delivery is possible with another minimotor than EFKA.

Table of subclasses machines and remove modules

	Module												
	Sewing hook	Electrical switch board	Electromagnetically controlled top roller lifting	Thread trimmer	Set of parts	Thread trimmer drive	Electromagnetically controlled backtacking	Push-button panel					
Classe-subclasse	M 820	M 008	M 552	M 084	M 520	M 519	M 249	M 521					
1280i - 611	●				●								
1280i - 647	●	●	●	●		●	●	●					

Table of parts sets

(delivered with head of sewing machine)

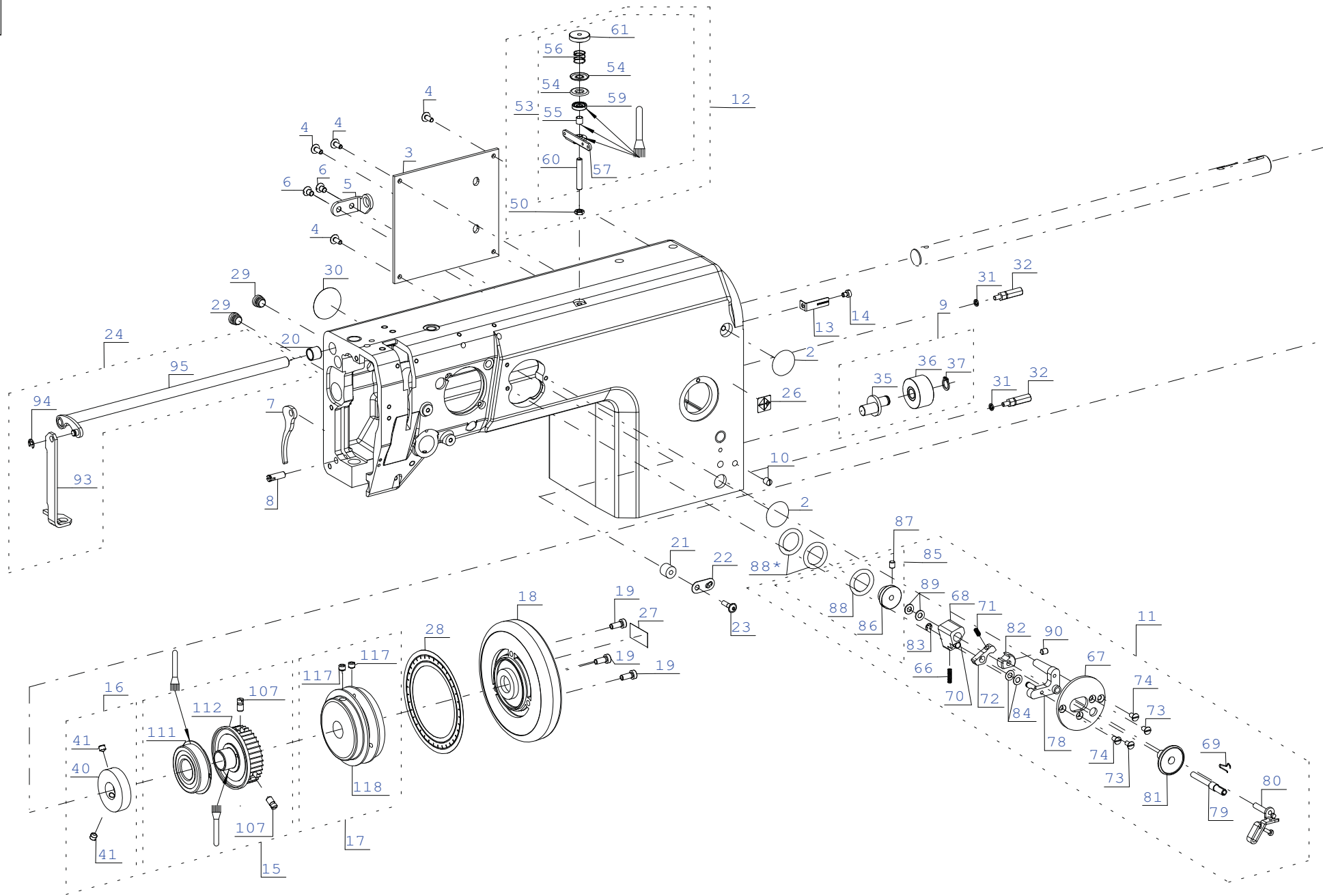
Parts set	Cover of belt	Knee lever	Connecting cable	Standard accessories	Special accessories	Set for mini-stop	Enlarged bobbin stand
1200 001000	M 265 tab.23	M 070 tab.25		M 015 tab.29	M 179 tab.30		M 016 tab.33
1200 007000	M 265 tab.23	M 070 tab.25	M 163 tab.26	M 015 tab.29	M 179 tab.30		M 016 tab.33
1200 007100	M 265 tab.23	M 070 tab.25	M 055 tab.46	M 015 tab.29	M 179 tab.30		M 016 tab.33
1200 009000	M 267 tab.24	M 070 tab.25	M 301 tab.27	M 015 tab.29	M 255 tab.31	M 300 tab.32	M 016 tab.33
1200 009100	M 267 tab.24	M 070 tab.25	M 325 tab.28	M 015 tab.29	M 255 tab.31	M 300 tab.32	M 016 tab.33

Table of sewing equipment

Sewing equipment 1280i - 6

Class, subclass, sewing category	Sewing material	Equipment No.	(mm)	Distance between seams
1280i - 6XX - 100	light L	1280 E60100 *	1.2	
- 100	light L			
- 200	medium M	1280 E60200 *	1.6	
- 300	medium-heavy M - H			
- 200	medium-weight M			
- 300	medium-heavy M - H	1280 E60300 *	2.0	
- 400	heavy H			
- 200	medium M			
- 300	medium-heavy M - H		2.4	
- 400	heavy H	1280 E60400 *		
- 400	heavy H		3.2	
M 028 tab.39				Throat plate cpl.
S080 811794				Throat plate
S080 394168				Needle holder
-				Front needle guide
-				Front needle guide holder
S080 623289				Rear needle guide
M 119 tab.40				Throat plate insert
2.4				Needle aperture
M 135 tab.46				Needle
134 KKLR-160				Needle system and No.
M 082 tab.46				Feed dog
1.2				Feed wheel
				Feed dog tooth pitch
M 173 tab.48				Flat presser foot
M 157 tab.48				Driven top roller
ø 35 x 3.8				Holder for the top roller
				Top roller diameter by width

* unless otherwise specified by the customer, the respective standard configuration is supplied for the sewing category in question

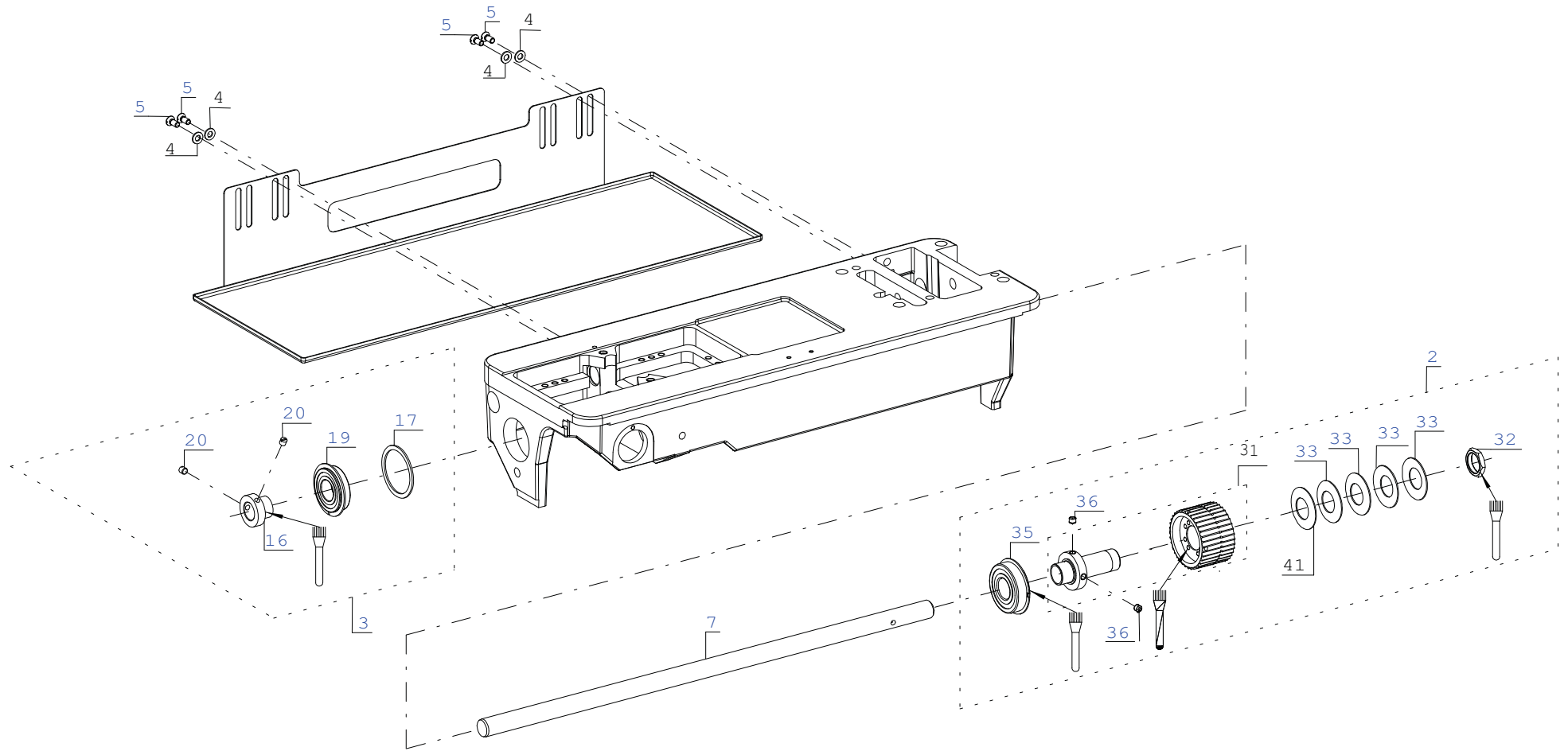


* SPARE PARTS SUPPLIED WITH THE MACHINE

M 501

Pos. Det.	Dílec č. Part No.	Název	Denomination
2	S321 000000	ZÁTKA	PLUG
3	S080 831665	KRYT ZADNÍ	COVER BACK
4	S309 000410	ŠROUB M4 x 10	SCREW M4 x 10
5	S080 836476	KONZOLA	CONSOLE
6	S080 126102	ŠROUB M5 x 8	SCREW M5 x 8
7	S080 615021	ZVEDACÍ PÁKA	LIFTING LEVER
8	S080 310468	KOLÍK	PIN
9	S981 043510	NAPÍNACÍ Kladka ÚPL.	TENSION ROLLER CPL.
10	0244 000700	ŠROUB	SCREW
11	S981 036164	NAVÍJEČ	WINDER
12	S981 025290	VODIČ	GUIDE
13	S080 836485	ŠIPKA	ARROW
14	S309 738406	ŠROUB M4 x 6	SCREW M4 x 6
15	S981 045576	PÁSOVÉ KOLO ÚPLNÉ	BELT WHEEL CPL.
16	S981 045572	KOLO NAVÍJEČE ÚPLNÉ	WHEEL OF WINDER CPL.
17	S981 045570	ŘEMENICE ÚPLNÁ	PULLEY CPL.
18	S980 027610	RUČNÍ KOLO	HAND WHEEL
19	S309 798511	ŠROUB	SCREW
20	S323 007065	LOŽISKO KU 1010	BEARING KU 1010
21	S080 190707	DISTANČNÍ KROUŽEK	DISTANCE RING
22	0271 000260	Nůž	KNIFE
23	S309 000416	ŠROUB	SCREW
24	S981 043496	ZVEDACÍ HRÍDEL	LIFTING SHAFT
26	S080 955135	ŠTÍTEK KNOFLÍKU DÉLKY STEHU	LABEL RELATED TO STITCH LENGHT REGULATION KNOB
27	S080 955132	ŠIPKA SMĚRU OTÁČENÍ	ARROW OF ROTATION SENSE
28	S735 955136	STUPNICE RUČNÍHO KOLA	HAND WHEEL SCALE
29	S321 001000	ZÁTKA PE	PLUG
30	S735 953288	ŠTÍTEK	LABEL
31	S080 191120	PODLOŽKA	WASHER
32	S080 146058	ŠROUB	SCREW
35		VIZ POS. 9	SEE 9
36		VIZ POS. 9	SEE 9
37	9352 000090	POJ. KROUŽEK	RETAINING RING
40		VIZ POS. 16	SEE 16
41	0244 000700	ŠROUB	SCREW
50	S080 161138	MATICE	NUT
53	0221 110154	VODIČ ÚPLNÝ	GUIDE CPL.
54	0037 001280	PODLOŽKA NAPÍNAČE	WASHER OF TENSIONER
55		VIZ POS. 12	SEE 12
56	0396 110470	PRUŽINA	SPRING
57		VIZ POS. 12	SEE 12
59		VIZ POS. 12	SEE 12
60		VIZ POS. 12	SEE 12
61	0993 411208	RYH. MATICE	KNURLED NUT
66	0067 320150	PRUŽINA	SPRING
67		VIZ POS. 65	SEE 65
68		VIZ POS. 65	SEE 65
69	0367 170040	PRUŽINA	SPRING
70	0396 170060	POUZDRO	CASE
71	0396 170080	PRUŽINA	SPRING
72		VIZ POS. 11	SEE 11
73	9225 201740	ŠROUB M4 x 6	SCREW
74	0993 031357	ŠROUB M4 x 8	SCREW
78	0268 170063	TĚLESO NAVÍJEČE	BODY OF WINDER
79	S981 043503	HRÍDEL ÚPLNÁ	SHAFT CPL.
80	0268 170103	PÁKA ÚPLNÁ	LEVER CPL.
81		VIZ POS. 11	SEE 11

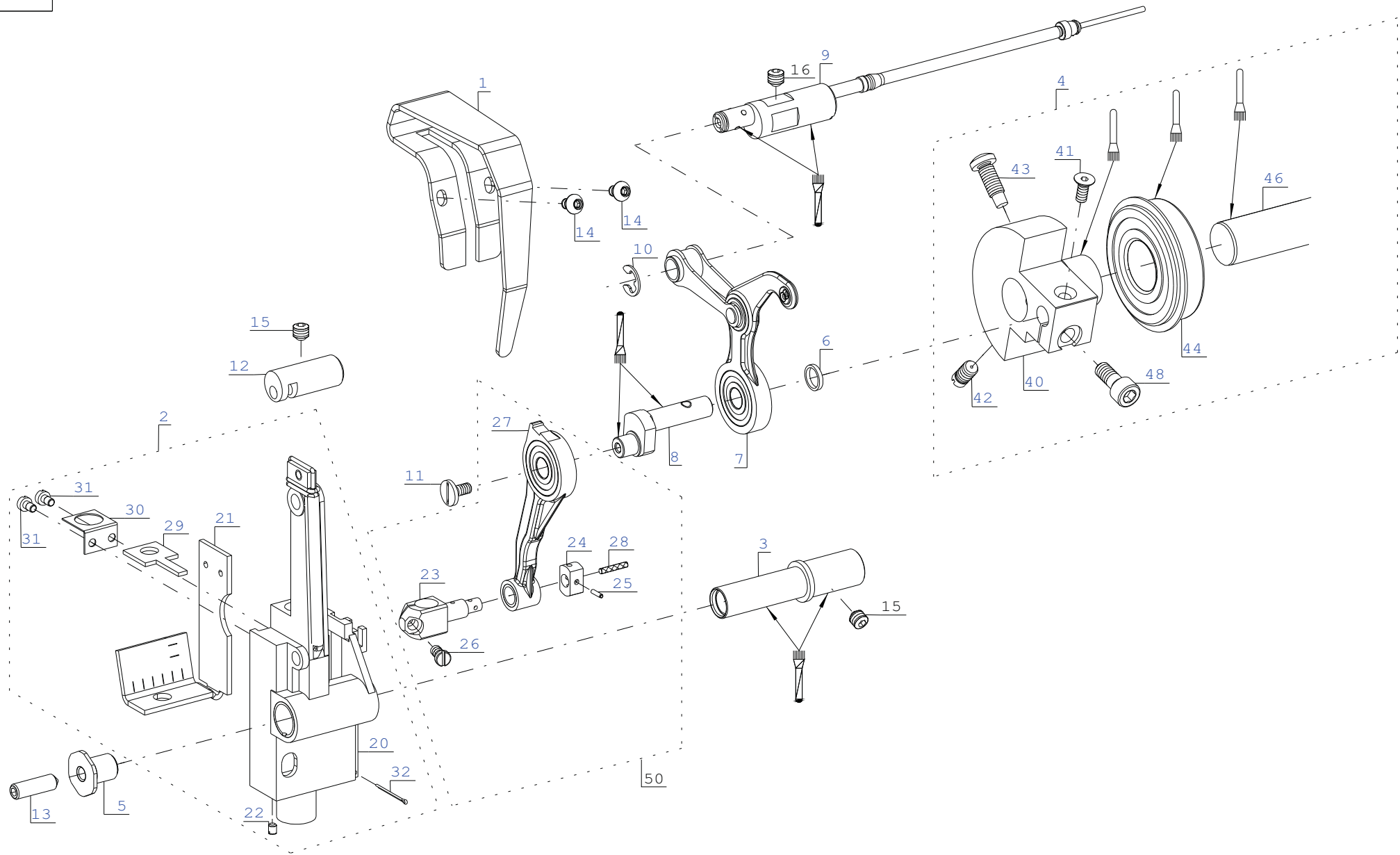
Pos. Det.	Dílec č. Part No.	Název	Denomination
82		VIZ POS. 11	SEE 11
83	9357 000050	PODLOŽKA	WASHER
84		VIZ POS. 11	SEE 11
85	0367 170083	KOLO NAVÍJEČE	WHEEL OF WINDER
86		VIZ POS. 11	SEE 11
87	9205 102168	ŠROUB M5 x 6	SCREW M5 x 6
88	0998 861590	O-KROUŽEK	O-RING
89		VIZ POS. 11	SEE 11
90	0993 060967	ŠROUB	SCREW
93	S080 839312	ZVEDACÍ PLECH	LIFTING SHEET
94	S311 732050	POJ. KROUŽEK	RETAINING RING
95	S980 060175	PÁKA	LEVER
107	0244 000700	ŠROUB	SCREW
111		VIZ POS. 15	SEE 15
112		VIZ POS. 15	SEE 15
117	0244 000700	ŠROUB	SCREW
118		VIZ POS. 17	SEE 17



M 502

Pos. Det.	Dílec č. Part No.	Název	Denomination
2	S981 045573	POJISTNÁ SPOJKA ÚPLNÁ	SAFETY CLUTCH CPL.
3	S981 052036	LOŽISKO ÚPLNÉ	BEARING CPL.
4	9330 000098	PODLOŽKA	WASHER
5	S080 126096	ŠROUB M5 x 12	SCREW M5 x 12
7	S080 341261	SPODNÍ HRÍDEL	LOWER SHAFT
16		VIZ POS. 3	SEE 3
17		VIZ POS. 3	SEE 3
19		VIZ POS. 3	SEE 3
20	S080 111343	ŠROUB	SCREW
31	S980 045574	OZUBENÁ ŘEMENICE	TOOTHED WHEEL
32	S080 161339	MATICE	NUT
33	S080 420010	TALÍŘOVÁ PRUŽINA	WASHER SPRING
35	S324 049910	LOŽISKO ÚPLNÉ	BEARING CPL.
36	0244 000700	ŠROUB	SCREW
41	S311 988232	TALÍŘOVÁ PRUŽINA	WASHER SPRING

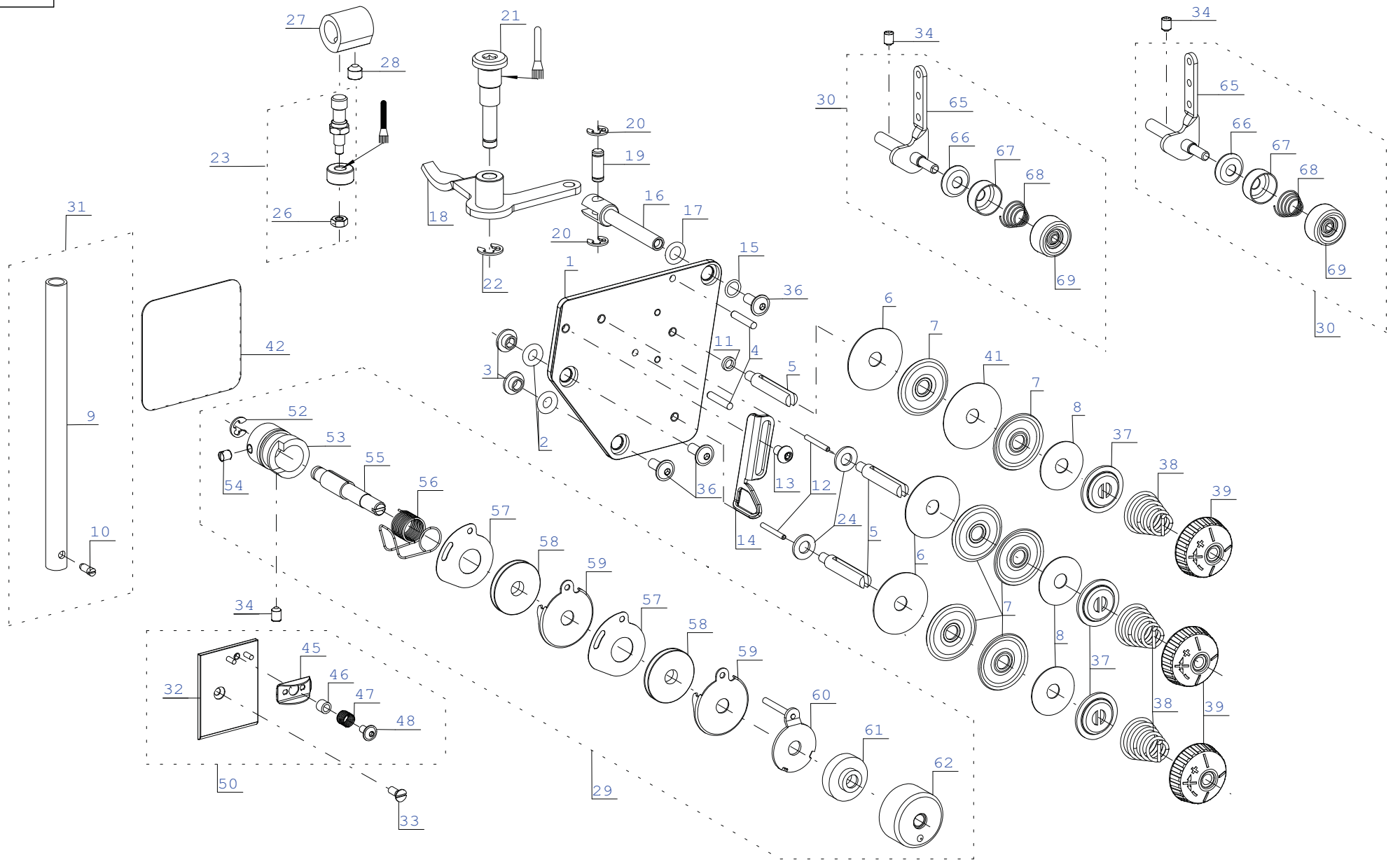
Pos. Det.	Dílec č. Part No.	Název	Denomination
--------------	----------------------	-------	--------------



M 513

Pos. Det.	Dílec č. Part No.	Název	Denomination
1	S080 831666	KRYT	COVER
2	S981 021403	DRŽÁK JEHELNÍ TYČE	HOLDER OF NEEDLE BAR
3	S080 330134	ČEP	PIN
4	S981 052076	HLAVA KLIKY ÚPLNÁ	HEAD OF CRANK CPL.
5	S080 146063	ŠROUB	SCREW
6	S080 410680	KROUŽEK	RING
7	S980 021396	NIŤOVÁ PÁKA ÚPLNÁ	TAKE UP LEVER CPL.
8	S080 338229	KLIKA	CRANK
9	S980 025305	VÝSTŘEDNÍK ÚPLNÝ	ECCENTRIC CPL.
10	S311 732060	POJ. KROUŽEK	RETAINING RING
11	S080 153045	ŠROUB	SCREW
12	S080 328235	ČEP	PIN
13	S309 791616	ŠROUB	SCREW
14	S309 738406	ŠROUB	SCREW
15	0244 000700	ŠROUB	SCREW
16	9205 102473	ŠROUB	SCREW
20		VIZ POS. 2	SEE 2
21		VIZ POS. 2	SEE 2
22	S080 111223	ŠROUB	SCREW
23		VIZ POS. 50	SEE 50
24		VIZ POS. 50	SEE 50
25	S311 515091	KOLÍK 1,6 x 6	PIN 1.6 x 6
26	S080 124050	ŠROUB	SCREW
27		VIZ POS. 50	SEE 50
28	S708 130002	VIZ POS. 50	SEE 50
29		VIZ POS. 2	SEE 2
30	S080 826403	PŘÍCHYTKA	CLIP
31	S080 120367	ŠROUB	SCREW
32	S311 318016	ZÁVLAČKA	SPLIT PIN
40		VIZ POS. 4	SEE 4
41	S311 799410	ŠROUB M4 x 10	SCREW M4 x 10
42	0244 000700	ŠROUB	SCREW
43	S080 138009	ŠROUB	SCREW
44		VIZ POS. 4	SEE 4
46		VIZ POS. 4	SEE 4
48	S080 120295	ŠROUB	SCREW
50	S981 021405	OJNICE ÚPLNÁ	ROD CPL.

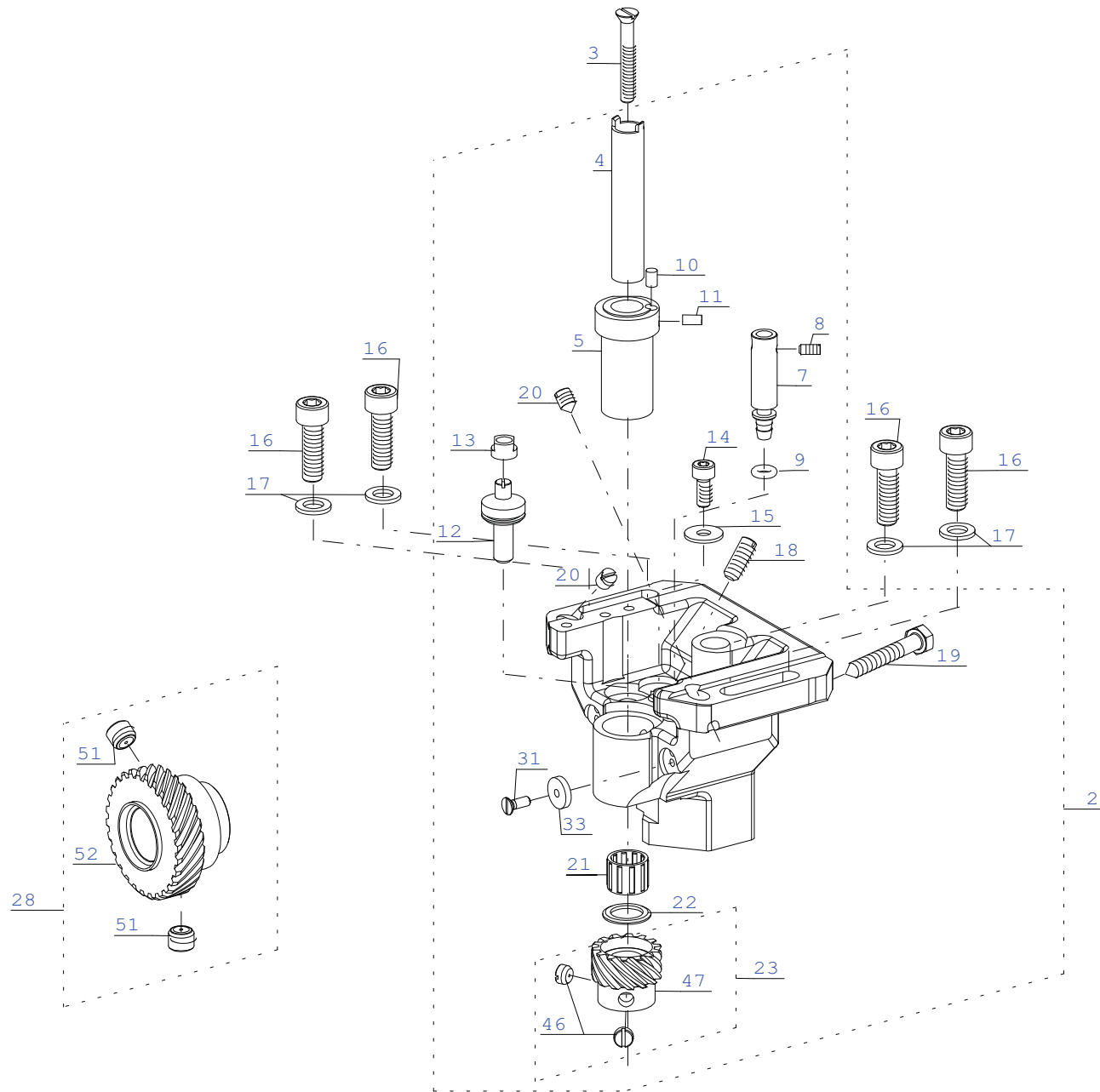
Pos. Det.	Dílec č. Part No.	Název	Denomination
--------------	----------------------	-------	--------------



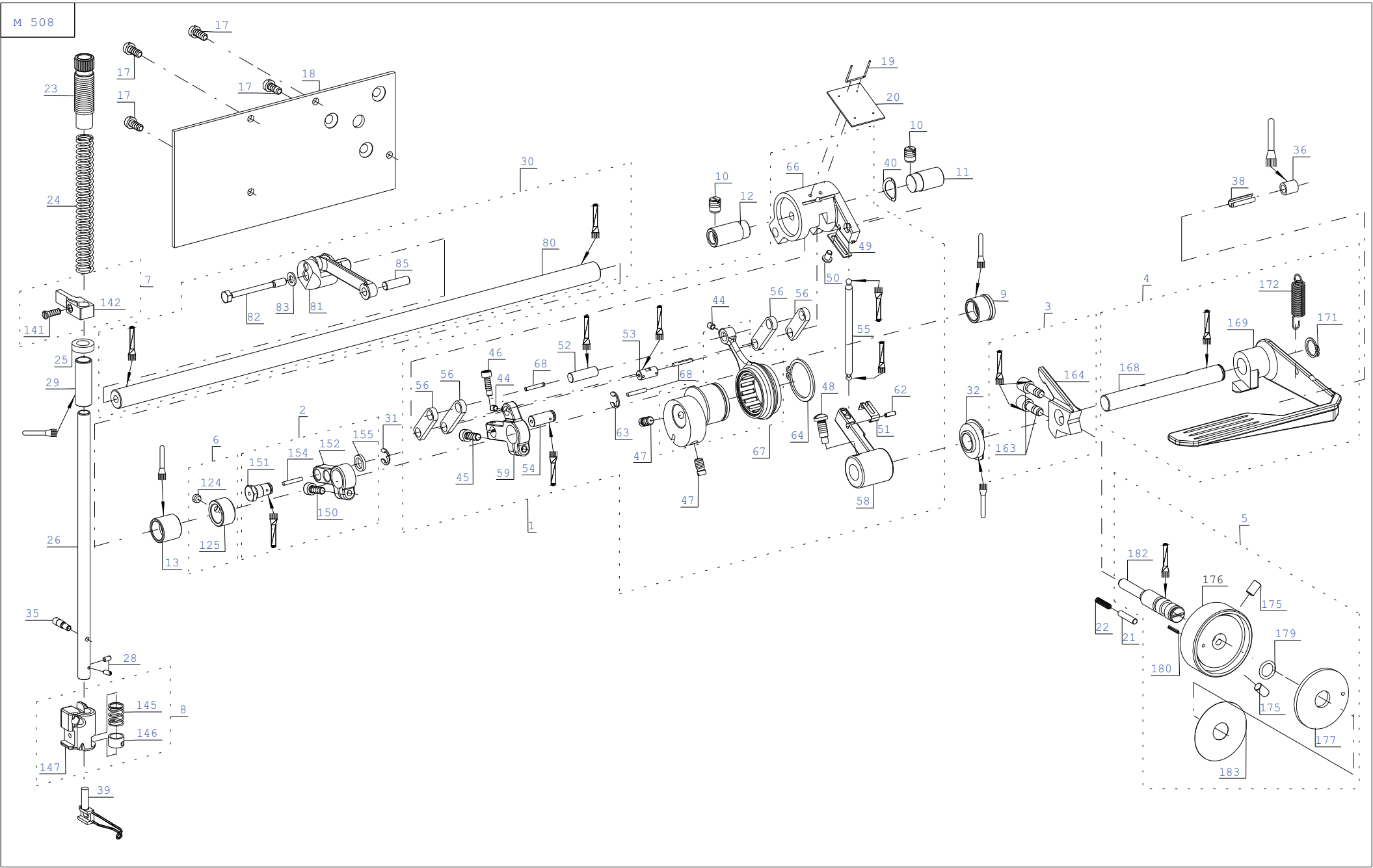
M 517

Pos. Det.	Dílec č. Part No.	Název	Denomination
1	S080 826404	DESKA	PLATE
2	S273 005025	KROUŽEK	RING
3	S080 425329	POUZDRO	CASE
4	S324 031651	VÁLEČEK JEHLVOVÝ	NEEDLE ROLLER
5	0367 110120	NAPÍNAČÍ ČEP	TENSIONING PIN
6	S321 941159	PODLOŽKA	WASHER
7	0467 110220	MISKA NAPÍNAČE	DISH OF TENSIONER
8	S321 941158	PODLOŽKA	WASHER
9	S080 391134	JEHELNÍ TYČ	NEEDLE BAR
10	S080 135022	ŠROUB	SCREW
11	S080 190708	KROUŽEK	RING
12	S080 310478	KOLIK	PIN
13	S309 738406	ŠROUB	SCREW
14	S080 821181	VODIČ	GUIDE
15	S273 001000	O-KROUŽEK	O-RING
16	S080 318256	ČEP	PIN
17	0265 000911	O-KROUŽEK	O-RING
18	S980 047280	PÁKA ÚPLNÁ	LEVER CPL.
19	S080 323203	ČEP	PIN
20	S311 732032	POJ. KROUŽEK	RETAINING RING
21	S080 142027	ŠROUB	SCREW
22	S311 732050	POJ. KROUŽEK	RETAINING RING
23	S981 060243	KLADKA ÚPLNÁ	ROLLER CPL.
24	S080 190709	PODLOŽKA	WASHER
26	9234 000057	MATICE	NUT
27	S080 436457	STAVĚCÍ KROUŽEK	REGULATING RING
28	0244 000700	ŠROUB	SCREW
29	0367 110254 M	NAPÍNAČ NITĚ ÚPLNÝ	TENSIONER COMPLET CPL.
30	0271 001391	VODIČ ÚPLNÝ	GUIDE CPL.
31	S981 021400	JEHELNÍ TYČ ÚPLNÁ	NEEDLE BAR CPL.
32	S980 060231	DESKA ÚPLNÁ	PLATE CPL.
33	S080 126073	ŠROUB	SCREW
34	9205 101868	ŠROUB	SCREW
36	S309 000410	ŠROUB	SCREW
37	0061 001050	PODLOŽKA	WASHER
38	0099 004800	PRUŽINA	SPRING
39	0271 000238	MATICE	NUT
41	S080 190701	PODLOŽKA	WASHER
42	S735 955142	SAMOLEPKA	LABEL
45	S080 839349	PŘÍLOŽKA	SPLICE
46	S080 410699	POUZDRO	CASE
47	S080 260617	PRUŽINA	SPRING
48	S309 000306	ŠROUB	SCREW
50	S981 025306	VODIČ NITĚ ÚPLNÝ	THREAD GUIDE CPL.
52	9357 000060	POJ. KROUŽEK	RETAINING RING
53	0367 110160	POUZDRO	CASE
54	0993 520940	ŠROUB	SCREW
55	0367 110170	ČEP	PIN
56	0068 004910	PRUŽINA	SPRING
57	0367 110350	PODLOŽKA	WASHER
58	0367 110340	ROLNA	ROLLER
59	0367 110360	PODLOŽKA	WASHER
60	0367 110183	PODLOŽKA ÚPLNÁ	WASHER CPL.
61	0367 110290	POUZDRO	CASE
62	0381 110043	MATICE	NUT
65	0271 001392	VODIČ NITĚ	THREAD GUIDE
66	0244 000415	OBJÍMKA	SLEEVE

Pos. Det.	Dílec č. Part No.	Název	Denomination
67	0244 000414	OBJÍMKA	SLEEVE
68	0271 001397	PRUŽINA	SPRING
69	0271 001398	RÝHOVANÁ MATICE	MILLED NUT



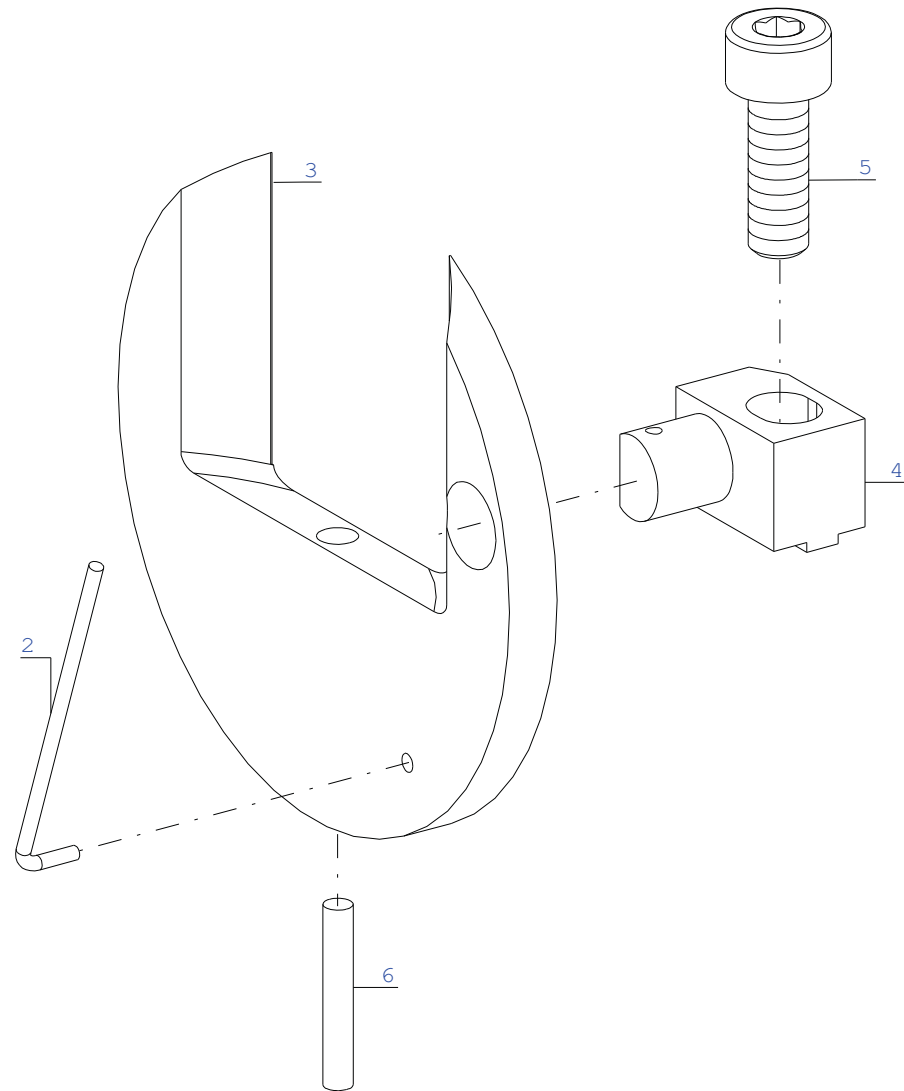
M 508



M 508

Pos. Det.	Dílec č. Part No.	Název	Denomination
1	S981 022881	TŘMEN-SESTAVA	STIRRUP-ASSEMBLY
2	S981 060226	PÁKA ÚPLNÁ	LEVER CPL.
3	S981 060193	VÁČKA ÚPLNÁ	CAM CPL
4	S981 060194	ZPÁTKOVACÍ PÁKA	BACKTACKING LEVER
5	S981 060195	KNOFLÍK ÚPLNÝ	BUTTON CPL.
6	S981 052044	STAVĚCÍ KROUŽEK ÚPLNÝ	REGULATING RING CPL.
7	S981 052049	VEDENÍ ÚPLNÉ	GUIDANCE CPL.
8	S981 052050	OBJÍMKA ÚPLNÁ	SLEEVE CPL.
9	S080 425319	POUZDRO	CASE
10	S080 111379	ŠROUB	SCREW
11	S080 320342	ČEP	PIN
12	S980 052070	ČEP ÚPLNÝ	PIN CPL.
13	S080 410676	POUZDRO	CASE
17	9202 002477	ŠROUB M5 x 12	SCREW M5 x 12
18	S080 831671	KRYT ZADNÍ	COVER BACK
19	S080 271544	SPONA	CLIP
20	S080 945397	MAZACÍ VLOŽKA	LUBRICATION INSERT
21	S080 324062	ČEP	PIN
22	S080 260604	PRUŽINA	SPRING
23	S080 156045	SEŘIZOVACÍ ŠROUB	SETTING-UP SCREW
24	S080 260602	PRUŽINA	SPRING
25	S080 943221	PODLOŽKA	WASHER
26	S080 392119	PŘITLAČNÁ TYČ	PRESSURE BAR
28	S080 111029	ŠROUB	SCREW
29	S080 412222	POUZDRO	CASE
30	S981 043511	HŘÍDEL ÚPLNÁ	BAR CPL.
31	S311 732060	POJ. KROUŽEK	RETAINING RING
32	S080 425322	POUZDRO	CASE
35	S080 135081	ŠROUB	SCREW
36	S283 068001	HADIČKA PVC OLEJ.	HOSE PVC OIL
38	S311 515055	KOLÍK 6 x 20	PIN 6 x 20
39	S980 052063	CHRÁNIČ PRSTŮ	PROTECTOR OF FINGER GUARD
40	S080 281139	PRUŽINA	SPRING
44	S080 112115	ŠROUB M4 x 6	SCREW M4 x 6
45	S080 120364	ŠROUB M5 x 14	SCREW M5 x 14
46	9202 002088	ŠROUB	SCREW
47	0244 000700	ŠROUB	SCREW
48	S080 138009	ŠROUB	SCREW
49	S080 826402	PŘÍLOŽKA	SPLICE
50	S080 132112	ŠROUB	SCREW
51	S080 283176	PRUŽINA	SPRING
52		VIZ POS. 1	SEE 1
53		VIZ POS. 1	SEE 1
54		VIZ POS. 1	SEE 1
55	S080 352002	TÁHLO	ROD
56		VIZ POS. 1	SEE 1
58		VIZ POS. 1	SEE 1
59	S080 635299	PÁKA	LEVER
62		VIZ POS. 1	SEE 1
63	S311 732060	POJ. KROUŽEK	RETAINING RING
64	S311 733280	POJ. KROUŽEK	RETAINING RING
66		VIZ POS. 1	SEE 1
67	S980 060222	VYSTŘEDNÍK S OJNICÍ	ECCENTRIC WITH ROD
68		VIZ POS. 1	SEE 1
80	S080 349219	HŘÍDEL	SHAFT
81	S980 060230	PÁKA ÚPLNÁ	LEVER CPL.

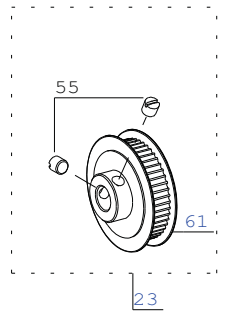
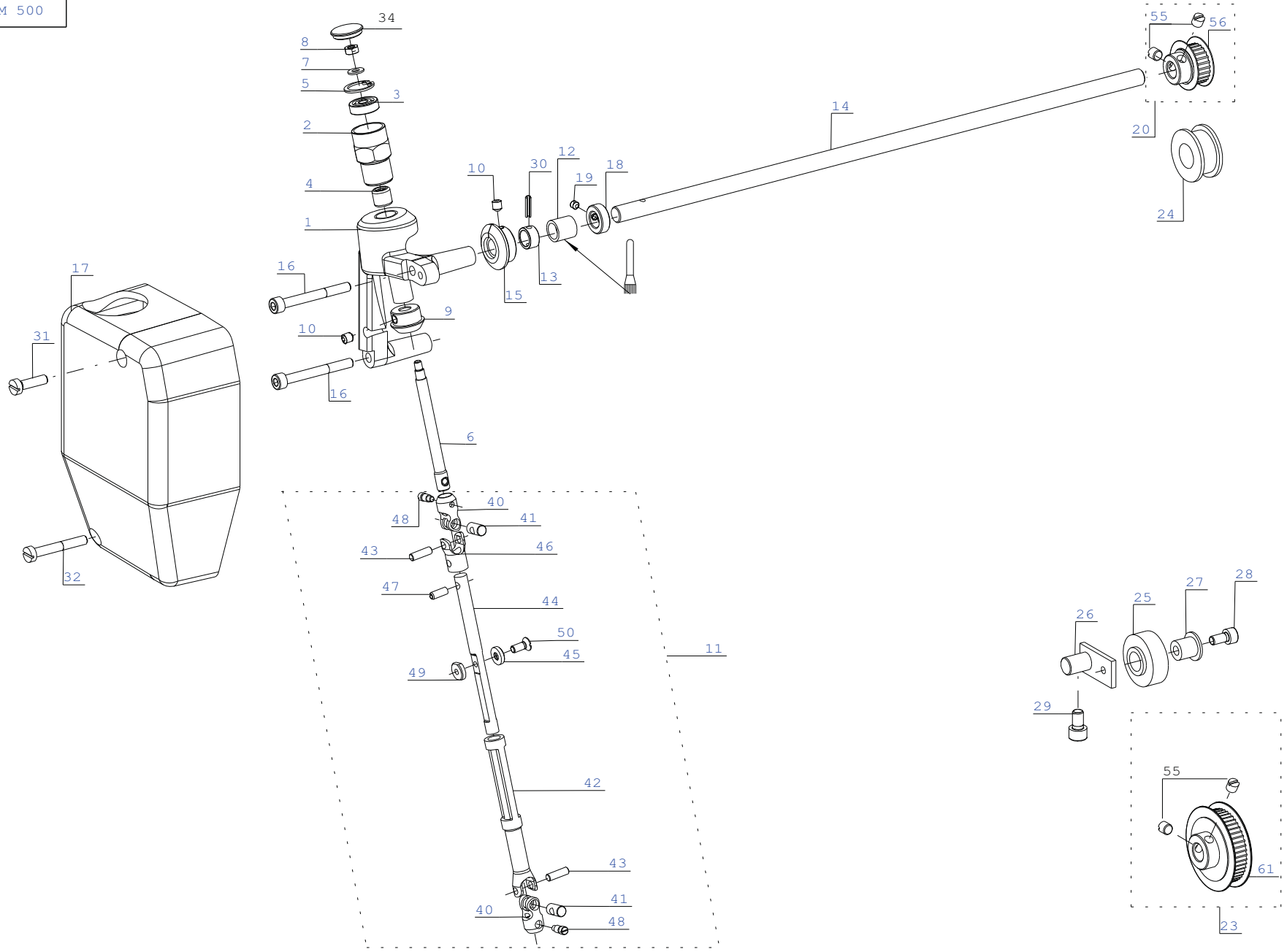
Pos. Det.	Dílec č. Part No.	Název	Denomination
82	S080 143049	ŠROUB	SCREW
83	S080 190359	PODLOŽKA	WASHER
85	S080 314270	ČEP	PIN
124	S080 111375	ŠROUB	SCREW
125	S080 436444	STAVĚCÍ KROUŽEK	REGULATING RING
141	S080 120543	ŠROUB	SCREW
142		VIZ POS. 7	SEE 7
145	S080 260606	PRUŽINA	SPRING
146	S080 436446	STAVĚCÍ KROUŽEK	REGULATING RING
147	S080 646472	OBJÍMKA DRŽÁKU	SLEEVE OF HOLDER
150	S080 120364	ŠROUB M5 x 4	SCREW M5 x 4
151	S080 331192	ČEP	PIN
152		VIZ POS. 2	SEE 2
154		VIZ POS. 2	SEE 2
155	S080 190706	PODLOŽKA	WASHER
163	S080 120705	ŠROUB	SCREW
164		VIZ POS. 3	SEE 3
168	S080 340203	HŘÍDEL	SHAFT
169	S080 621040	ZPÁTKOVACÍ PÁKA	BACKTACKING LEVER
171	S311 733120	POJ. KROUŽEK	RETAINING RING
172	S315 263276	PRUŽINA	SPRING
175	9205 102488	ŠROUB M6 x 10	SCREW M6 x 10
176	S080 233061	KNOFLÍK	BUTTON
177	S080 441687	KOTOUČ	DISK
179	S273 001002	O-KROUŽEK 9 x 2	O-RING 9 x 2
180	S311 515021	KOLÍK 2 x 10	PIN 2 x 10
182	S080 332172	ŠROUB	SCREW
183	S735 975184	SAMOLEPÍCÍ ŠTÍTEK-STUPNICE	LABEL-SCALE

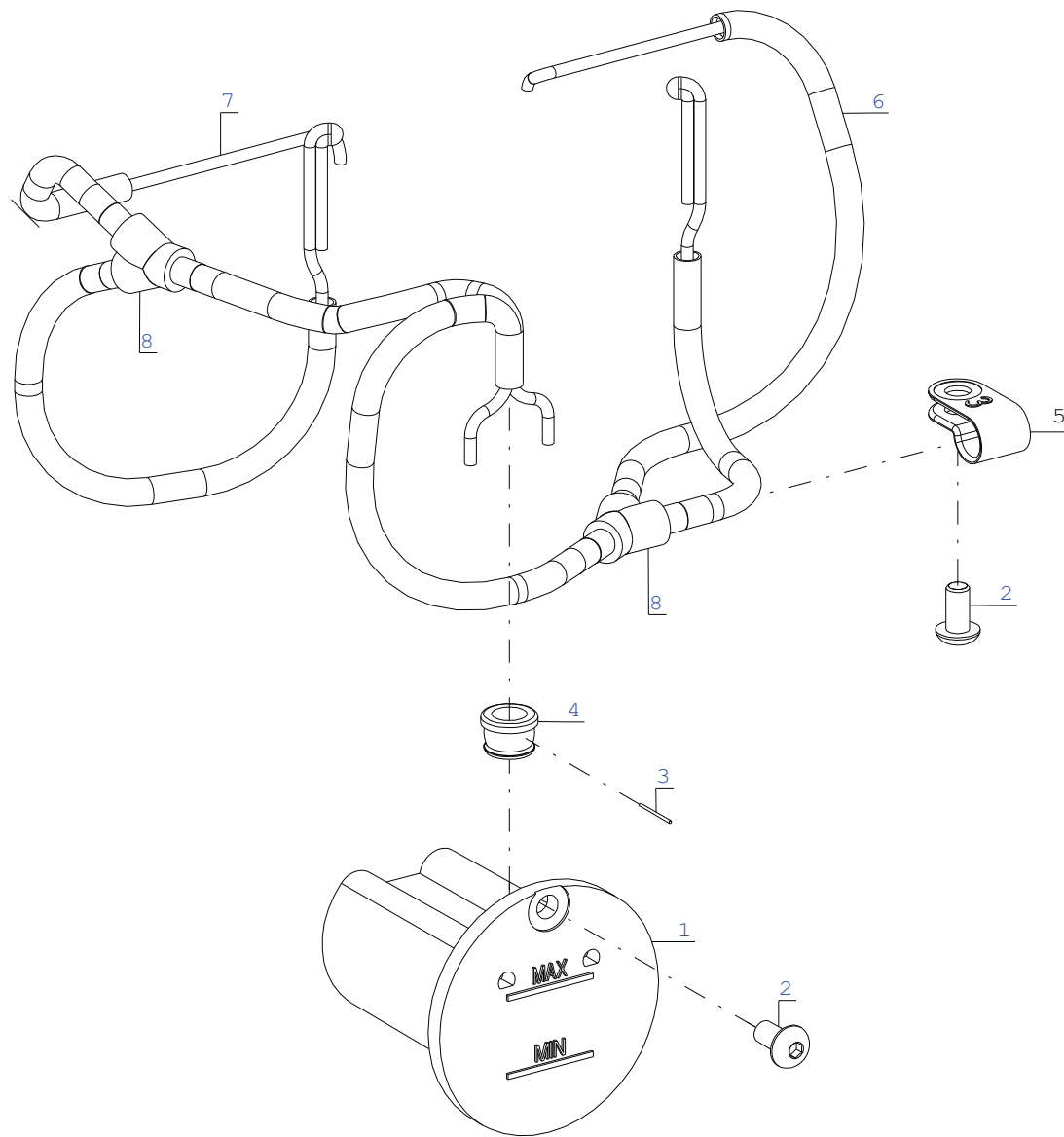


M 162

Pos. Det.	Dílec č. Part No.	Název	Denomination
.....	S980 000162	VODÍTKO PODAVAČE	GUIDE OF FEED DOG
2	S080 265040	PRUŽINA	SPRING
3	S080 442659	VEDENÍ PODAVAČE	GUIDE OF FEED DOG
4	S080 624048	ZÁVĚS	HANGER
5	S309 543411	ŠROUB M4 x 12	SCREW M4 x 12
6	VIZ S980 000162	VIZ S980 000162	SEE S980 000162

Pos. Det.	Dílec č. Part No.	Název	Denomination
--------------	----------------------	-------	--------------

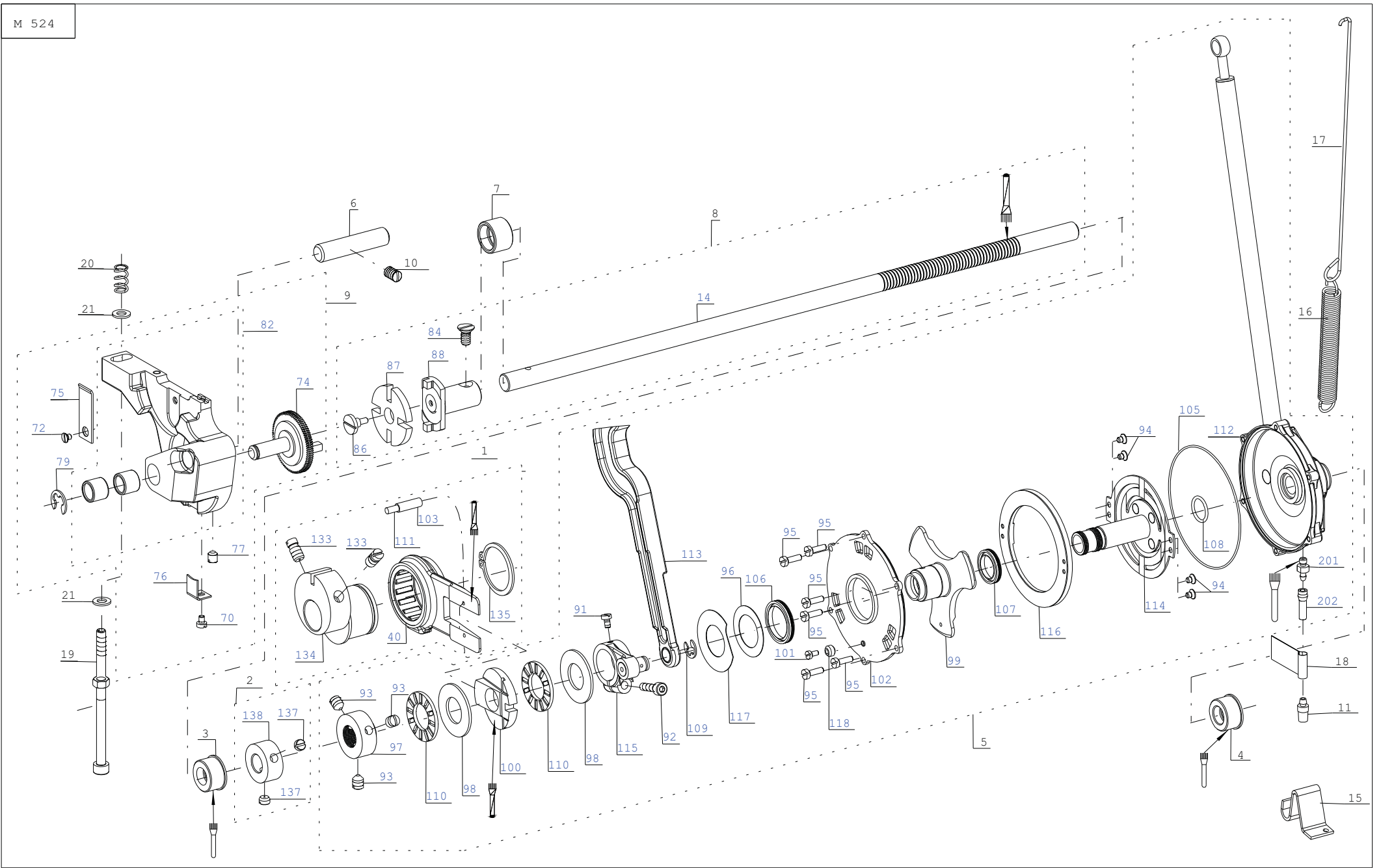




M 522

Pos. Det.	Dílec č. Part No.	Název	Denomination
1	0265 002402	OLEJOVÁ NÁDRŽKA	OIL TANK
2	9217 300528	ŠROUB	SCREW
3	S158 076500	DRÁT	BLOWER
4	0211 000806	PRŮCHODKA	BUSHING
5	9840 120027	PŘÍCHYTKA	CLIP
6	VIZ S980 000522		S980 000522
7	VIZ S980 000522		S980 000522
8	S512 228001	SPOJKA	CONNECTOR

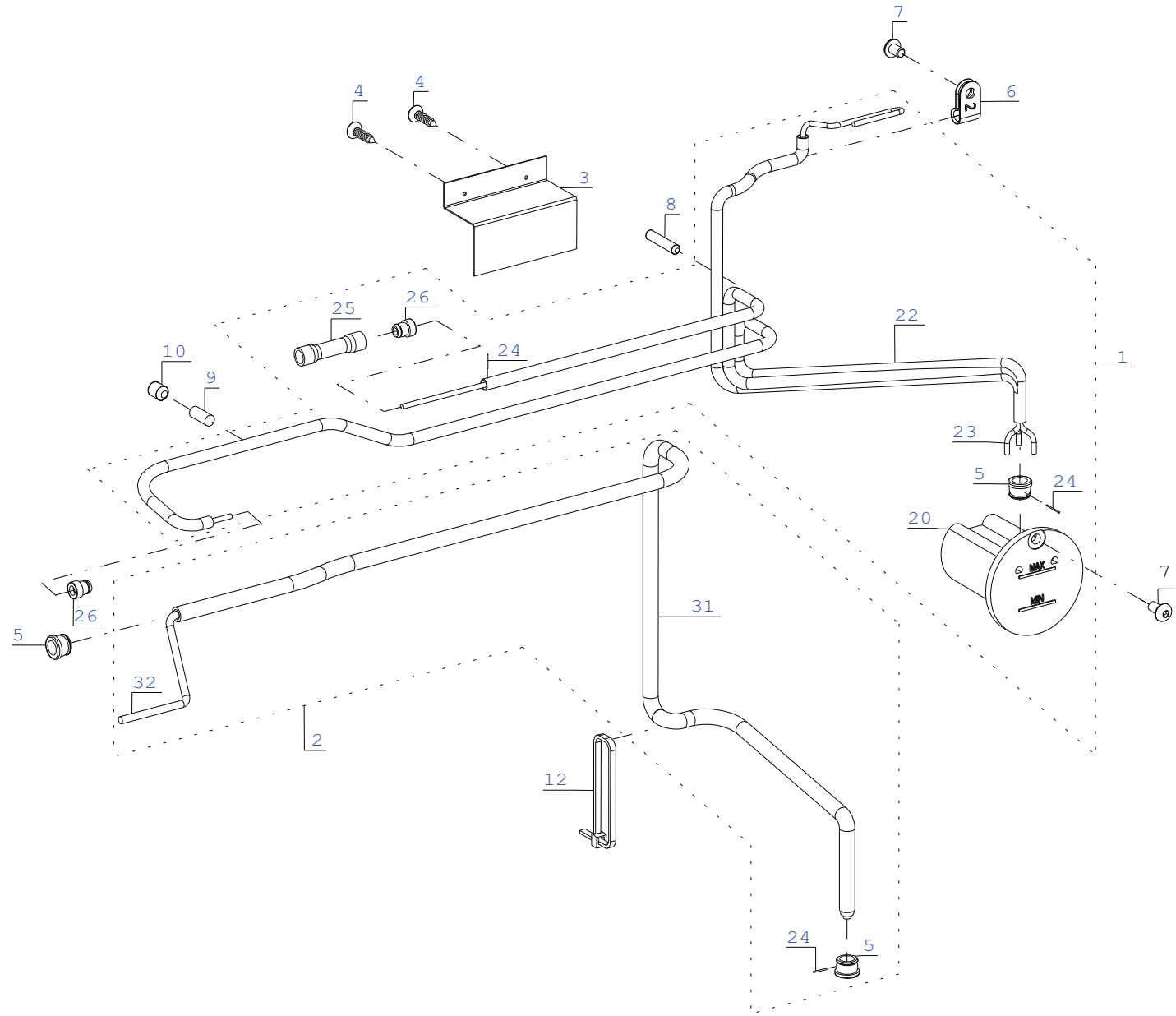
Pos. Det.	Dílec č. Part No.	Název	Denomination
--------------	----------------------	-------	--------------



M 524

Pos. Det.	Dílec č. Part No.	Název	Denomination
1	S981 052046	VÝSTŘEDNÍK ÚPLNÝ	ECCENTRIC CPL.
2	S981 052047	STAVĚCÍ KROUŽEK ÚPLNÝ	REGULATING RING CPL.
3	S080 425320	LOŽISKO	BEARING
4	S080 425318	LOŽISKO	BEARING
5	S981 024304	SPOJKA ÚPLNÁ	CLUTCH CPL.
6	S080 314286	ČEP	PIN
7	S080 410687	LOŽISKO	BEARING
8	S981 022856	SPODNÍ KRUHOVÉ PODÁVÁNÍ	LOWER WHEEL FEED
9	S981 022857	NOSIČ PODAVAČE ÚPLNÝ	FEED CARRIER CPL.
10	S080 120006	ŠROUB M6 x 10	SCREW M6 x 10
11	S080 424165	KONCOVKA	TERMINAL
14	S080 345088	PODÁVACÍ HŘÍDEL	FEEDING SHAFT
15	S080 839333	ZÁVĚS	HANGER
16	S315 263275	PRUŽINA	SPRING
17	S080 271533	HÁČEK PRUŽINY	HOOK OF SPRING
19	S980 039112	ŠROUB ÚPLNÝ	SCREW CPL.
20	S080 260611	PRUŽINA	SPRING
21	S080 190379	PODLOŽKA	WASHER
40	S980 060185	OJNICE ÚPLNÁ	ROD CPL.
70	S080 120215	ŠROUB	SCREW
72	S080 126180	ŠROUB	SCREW
74	S080 555047	SPOJKA	CLUTCH
75	S080 818712	PŘÍLOŽKA	SPLICE
76	S080 283179	ČISTÍCÍ PÉRKO	CLEANING SPRING
77	S309 281506	ŠROUB M5 x 6	SCREW M5 x 6
79	S311 732060	POJ. KROUŽEK	RETAINING RING
82	S980 022858	NOSIČ PODÁVÁNÍ ÚPLNÝ	FEED DOG CARRIER
84	S080 126185	ŠROUB	SCREW
86	S080 120694	ŠROUB	SCREW
87	S080 442661	KŘÍŽ SPOJKY	CROSS OF CLUTCH
88	S980 043502	SPOJKA ÚPLNÁ	CLUTCH CPL.
91	S080 120296	ŠROUB M3 x 5	SCREW M3 x 5
92	S309 100414	ŠROUB M4 x 16	SCREW M4 x 16
93	S080 112016	ŠROUB	SCREW
94	9203 313021	ŠROUB	SCREW
95	S080 120516	ŠROUB	SCREW
96	S080 281136	PRUŽINA	SPRING
97	S080 425324	KROUŽEK	RING
98	S080 441671	KROUŽEK	RING
99	S080 442655	SPOJKA	CLUTCH
100	S080 451114	KLÍN	WEDGE
101	S080 120403	ŠROUB M2,5 x 5	SCREW M2.5 x 5
103		VIZ POS. 132	SEE 132
105	S273 014225	O-KROUŽEK 58 x 1	O-RING 58 x 1
106	S273 005000	GUFERO INA 18 x 24 x 3	GUFERO INA 18 x 24 x 3
107	S273 004000	GUFERO INA 13 x 19 x 3	GUFERO INA 13 x 19 x 3
109	S311 732050	POJ. KROUŽEK	RETAINING RING
110	S324 800000	LOŽISKO AXK 1528 INA	BEARING AXK 1528 INA
111		VIZ POS. 132	SEE 132
112	S980 022855	SPOJKA S TÁHLEM	CLUTCH WITH ROD
113	S980 022862	TÁHLO ÚPLNÉ	ROD CPL.
114	S980 047266	POUZDRO ÚPLNÉ	CASE CPL.
115	S980 060186	PÁKA ÚPLNÁ	LEVER CPL.
116	S980 088003	KOTOUČ ÚPLNÝ	DISK CPL.
117	S080 814478	KROUŽEK	RING
118	S080 412223	POUZDRO	CASE
124	S080 111375	ŠROUB	SCREW
125		VIZ POS. 123	SEE 123

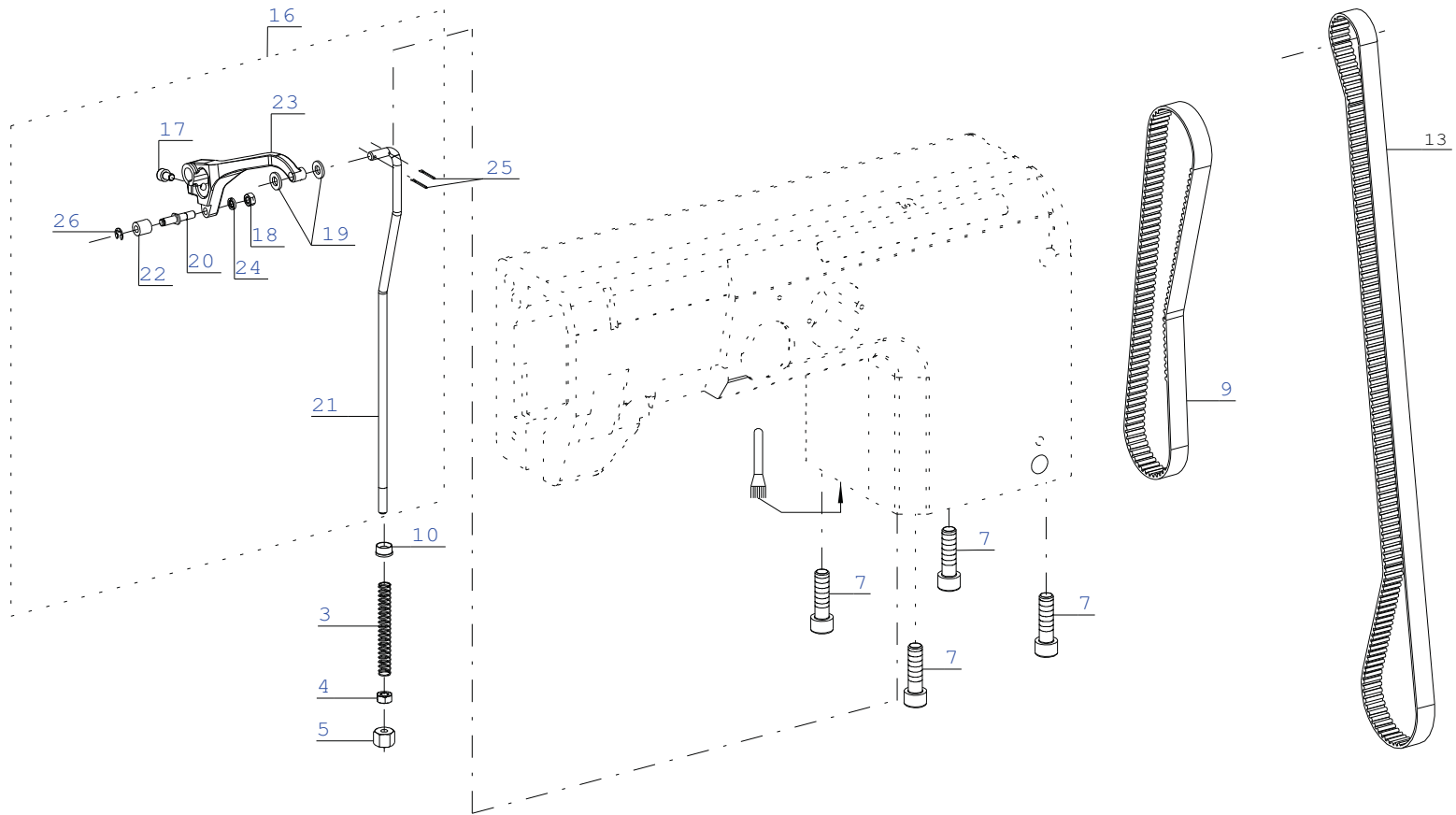
Pos. Det.	Dílec č. Part No.	Název	Denomination
133	S080 120689	ŠROUB	SCREW
134	S080 671178	VÝSTŘEDNÍK DÉLKY STEHU	ECCENTRIC OF LENGHT STITCH
135	S311 733280	POJ. KROUŽEK	RETAINING RING
137	S080 111375	ŠROUB	SCREW
138		VIZ POS. 136	SEE 136
141	S080 120543	ŠROUB	SCREW
142		VIZ POS. 140	SEE 140
146	S080 436446	STAVĚCÍ KROUŽEK	REGULATING RING
147	S080 646472	OBJÍMKA DRŽÁKU	SLEEVE OF HOLDER
175	9205 102488	ŠROUB M6 x 10	SCREW M6 x 10
179	S273 001002	O-KROUŽEK 9 x 2	O-RING 9 x 2
201	S080 424163	VENTIL	VENT
202	S283 002004	HADIČKA SILIKONOVÁ	HOSE SILIKON



M 514

Pos. Det.	Dílec č. Part No.	Název	Denomination
1	S981 052071	MAZACÍ SKŘIŇ ÚPLNÁ	LUBRICATION BOX CPL.
2	S981 052075	ODSÁVACÍ KNOT ÚPLNÝ	WICK CPL.
3	S080 826412	PŘÍCHYTKA	CLIP
4	S311 400515	VRUT UN	SCREW UN
5	0211 000806	PRŮCHODKA	BUSHING
6	9840 120026	PŘÍCHYTKA	CLIP
7	9217 300528	ŠROUB	SCREW
8	S309 287416	ŠROUB	SCREW
9	S080 310483	KOLÍK	PIN
10	9205 102478	ŠROUB	SCREW
12	S562 411000	NG PÁSEK	NG BAND
20	0265 002402	OLEJOVÁ NÁDRŽKA	OIL TANK
22		VIZ POS. 1	SEE 1
23		VIZ POS. 1	SEE 1
24	S158 076500	DRÁT	BLOWER
25	S283 003001	HADIČKA PVC	HOSE PVC
26	0211 000085	PRŮCHODKA	BUSHING
31		VIZ POS. 2	SEE 2
32		VIZ POS. 2	SEE 2

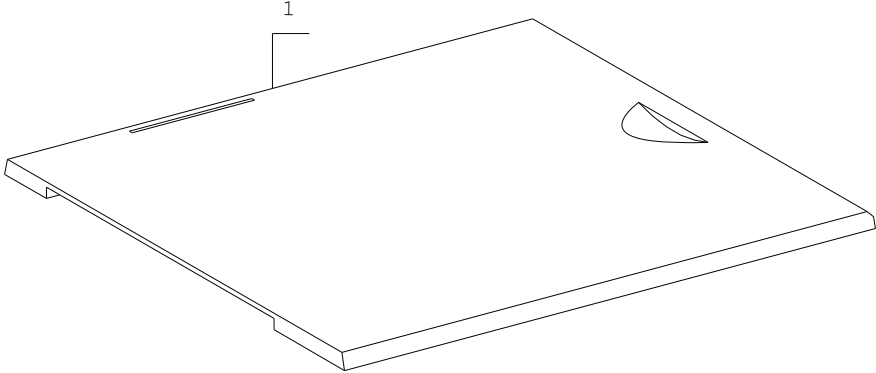
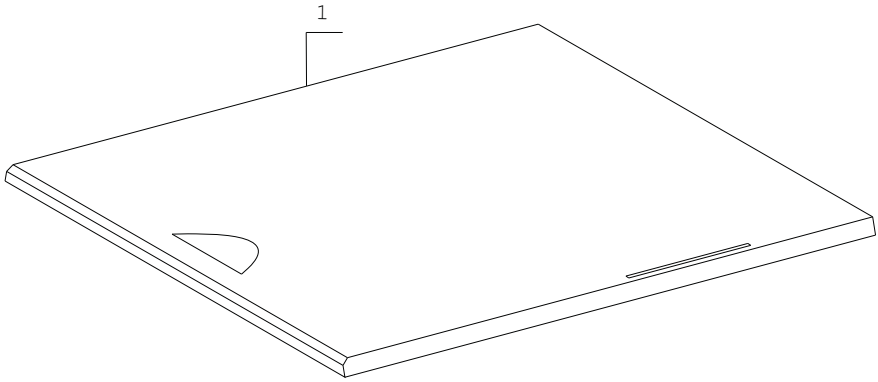
Pos. Det.	Dílec č. Part No.	Název	Denomination
--------------	----------------------	-------	--------------



M 087

Pos. Det.	Dílec č. Part No.	Název	Denomination
3	S080 260608	PRUŽINA	SPRING
4	S080 161142	MATICE	NUT
5	S080 161333	OPĚRKA	SUPPORT
7	9202 003738	ŠROUB M10 x 35	SCREW M10 x 35
9	S272 100517	OZUBENÝ ŘEMEN FLENNOR	TOOTHED BELT FLENNOR
10	S080 425326	POUZDRO	CASE
13	S272 100518	OZUBENÝ ŘEMEN	TOOTHED BELT
16	S980 060207	PÁKA ÚPLNÁ	LEVER CPL.
17	S080 120698	ŠROUB	SCREW
18	S080 161146	MATICE	NUT
19	S080 190346	PODLOŽKA	WASHER
20	S080 333175	ČEP	PIN
21	S080 384113	TÁHLO	ROD
22	S080 418182	KLADKA	ROLLER
23	S080 633220	PÁKA	LEVER
24	S311 214051	PODLOŽKA	WASHER
25	S311 318012	ZÁVLAČKA	SPLIT PIN
26	S311 732040	POJISTNÝ KROUŽEK	RETAINING RING

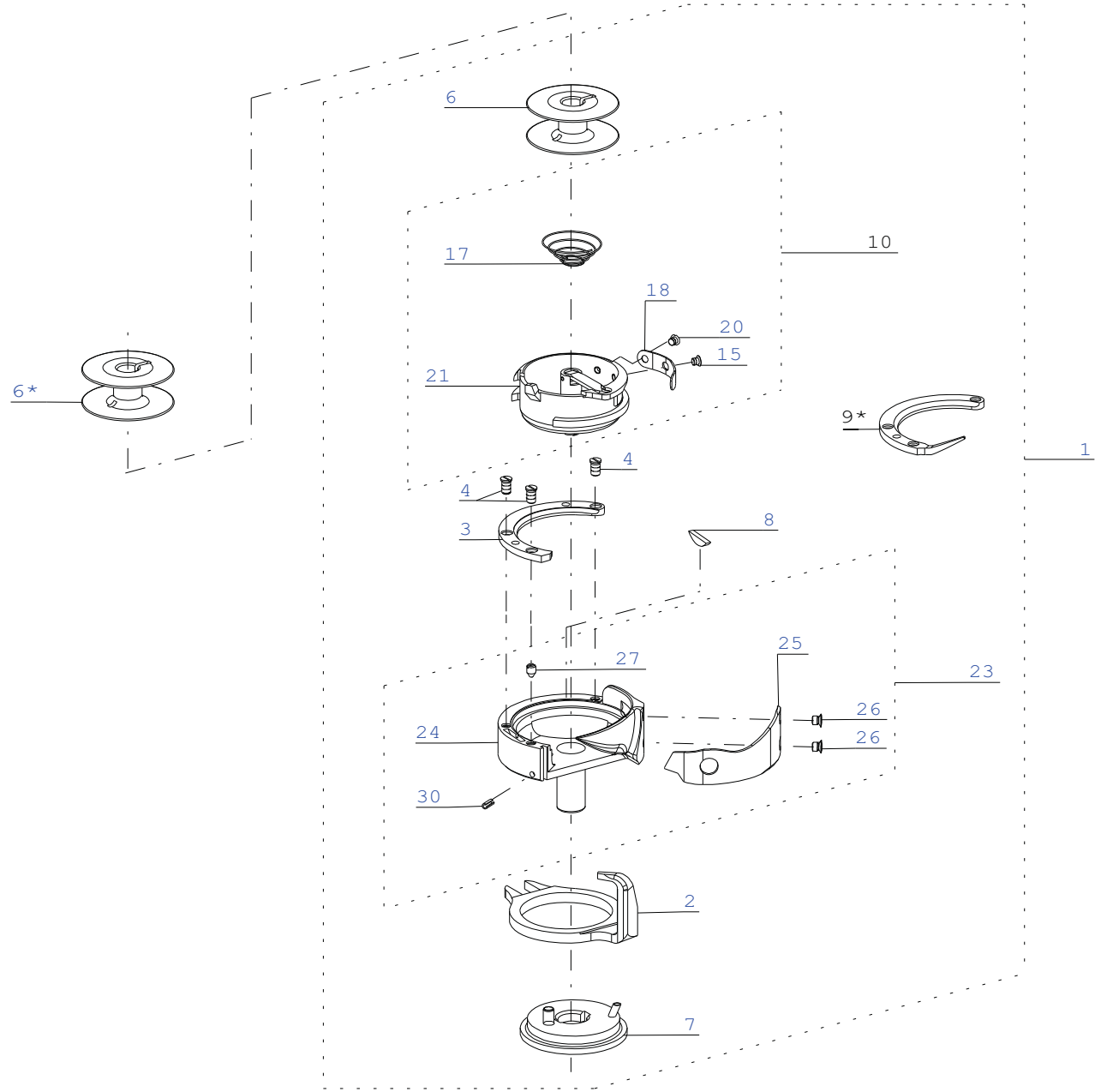
Pos. Det.	Dílec č. Part No.	Název	Denomination
--------------	----------------------	-------	--------------



M 154

Pos. Det.	Dílec č. Part No.	Název	Denomination
	S980 000254	ZÁSUVNÉ DESKY	THROAT PLATES
1	S080 812198	DESKA	PLATE

Pos. Det.	Dílec č. Part No.	Název	Denomination
--------------	----------------------	-------	--------------

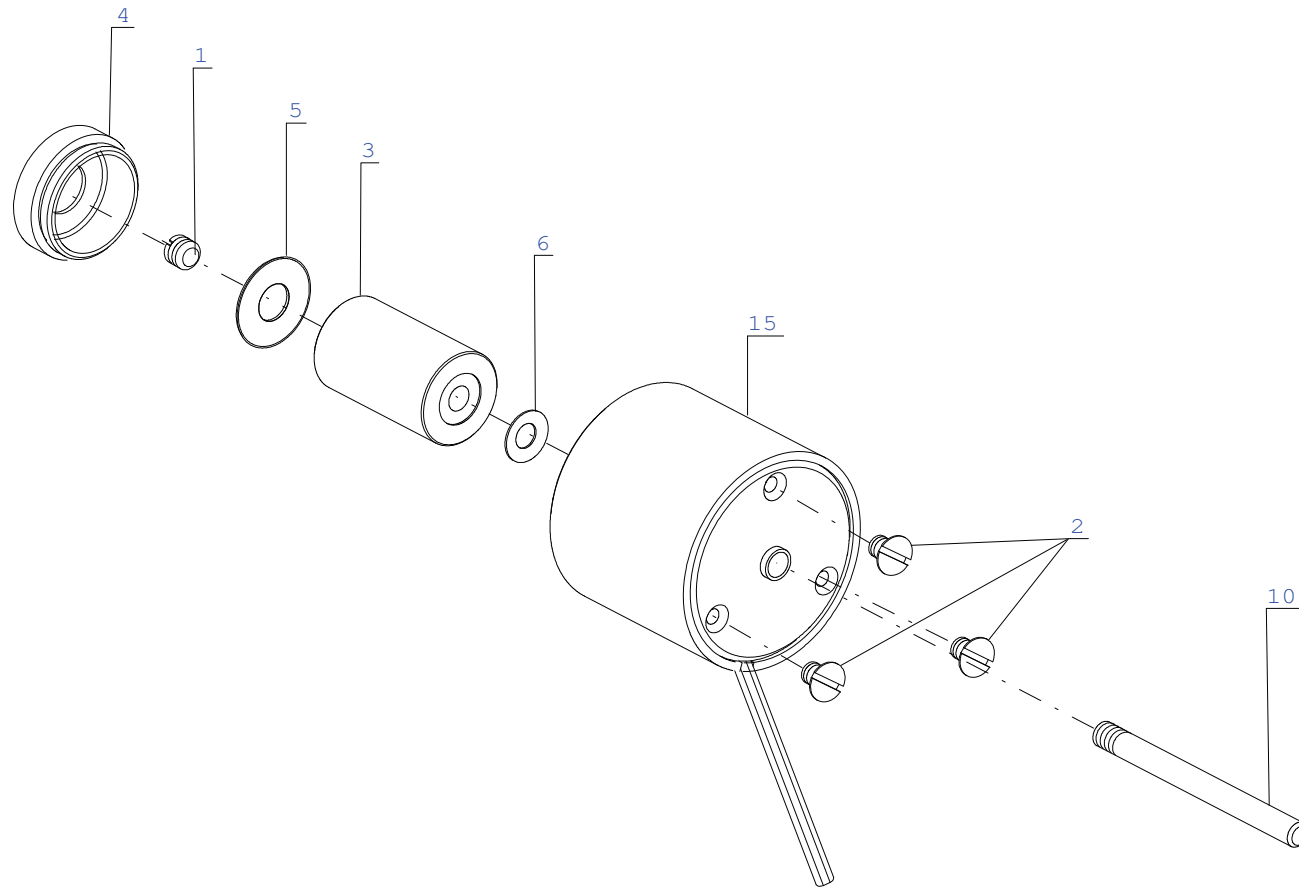


* SPARE PARTS SUPLIED WITH THE MACHINE

M 820

Pos. Det.	Dílec č. Part No.	Název	Denomination
1	S981 008820	CHAPAČ	HOOK
2	S080 679011	UVOLŇOVACÍ HÁK	RELEASING HOOK
3	S080 681037	PŘÍLOŽKA	SPLICE
4	S080 683074	ŠROUB	SCREW
6	0245 001660 A	CÍVKA	BOBBIN
7		VIZ POS. 1	SEE 1
8		VIZ POS. 1	SEE 1
9	S080 681044	PŘÍLOŽKA	SPLICE
10	S981 081170	POUZDRO CÍVKY ÚPLNÉ	BOBBIN CASE CPL.
15	S080 683025	ŠROUB	SCREW
17	S315 262085	PRUŽINA	SPRING
18	0467 150120	PERKO	SPRING
20	0992 023560	ŠROUB	SCREW
21		VIZ POS. 10	SEE 10
23	S981 081171	TĚLESO CHAPAČE ÚPLNÉ	BODY OF HOOK CPL.
24		VIZ POS. 23	SEE 23
25	S080 680046	CHRÁNÍCÍ PLECH	PROTECTING SHEET
26	S080 683083	ŠROUB	SCREW
27	S080 683097	ŠROUB	SCREW
30		VIZ POS. 23	SEE 23

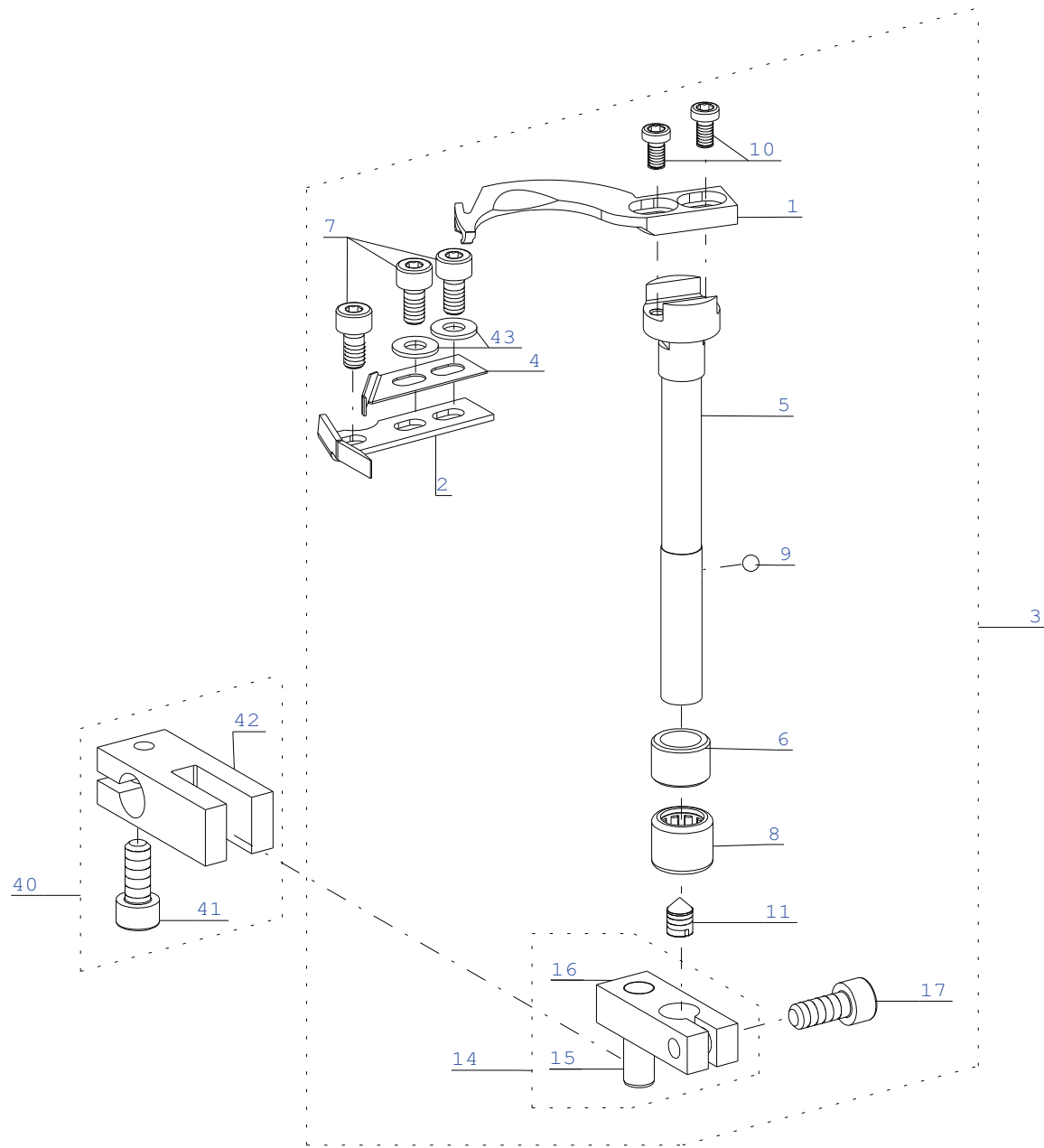
Pos. Det.	Dílec č. Part No.	Název	Denomination
--------------	----------------------	-------	--------------

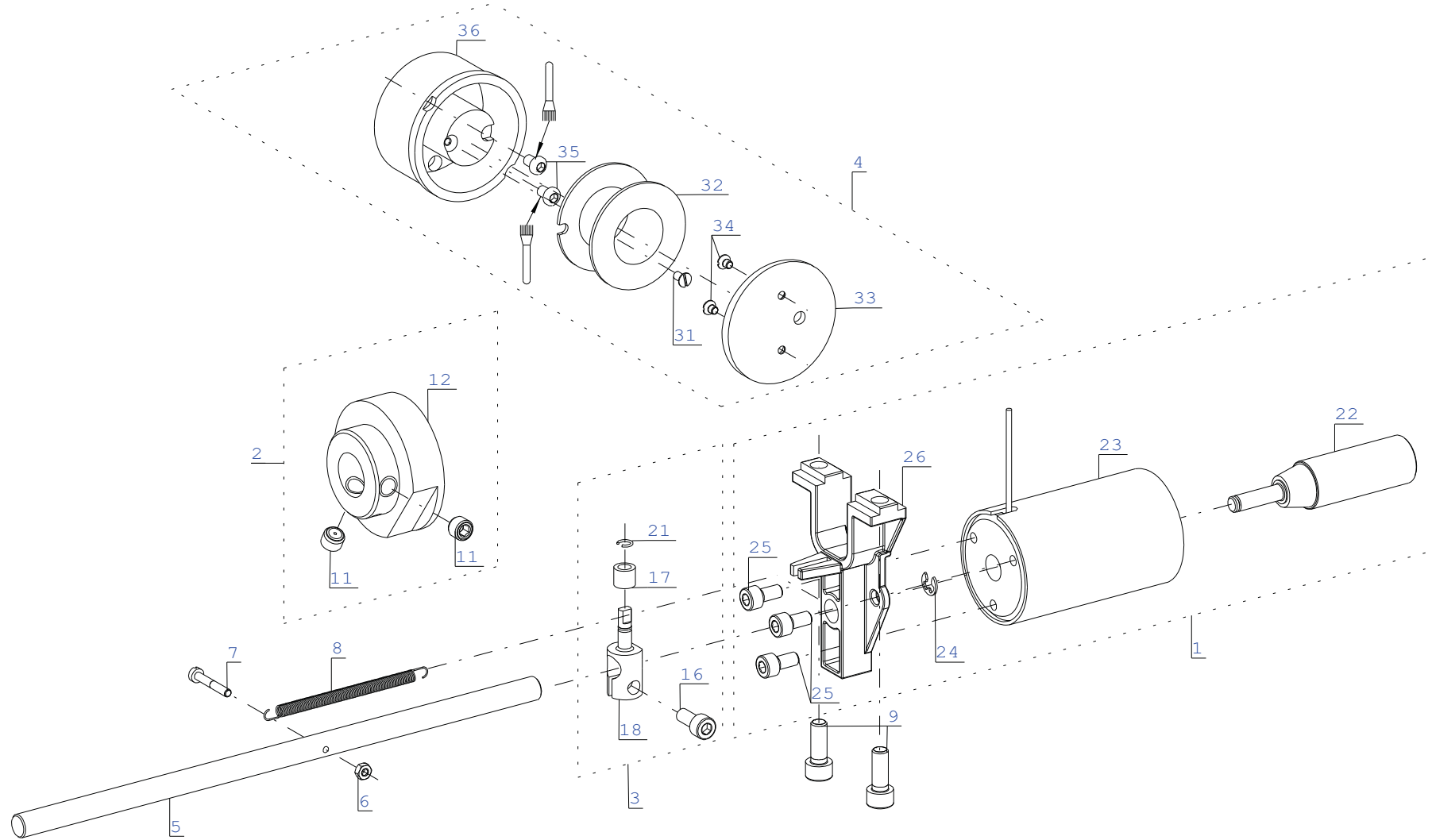


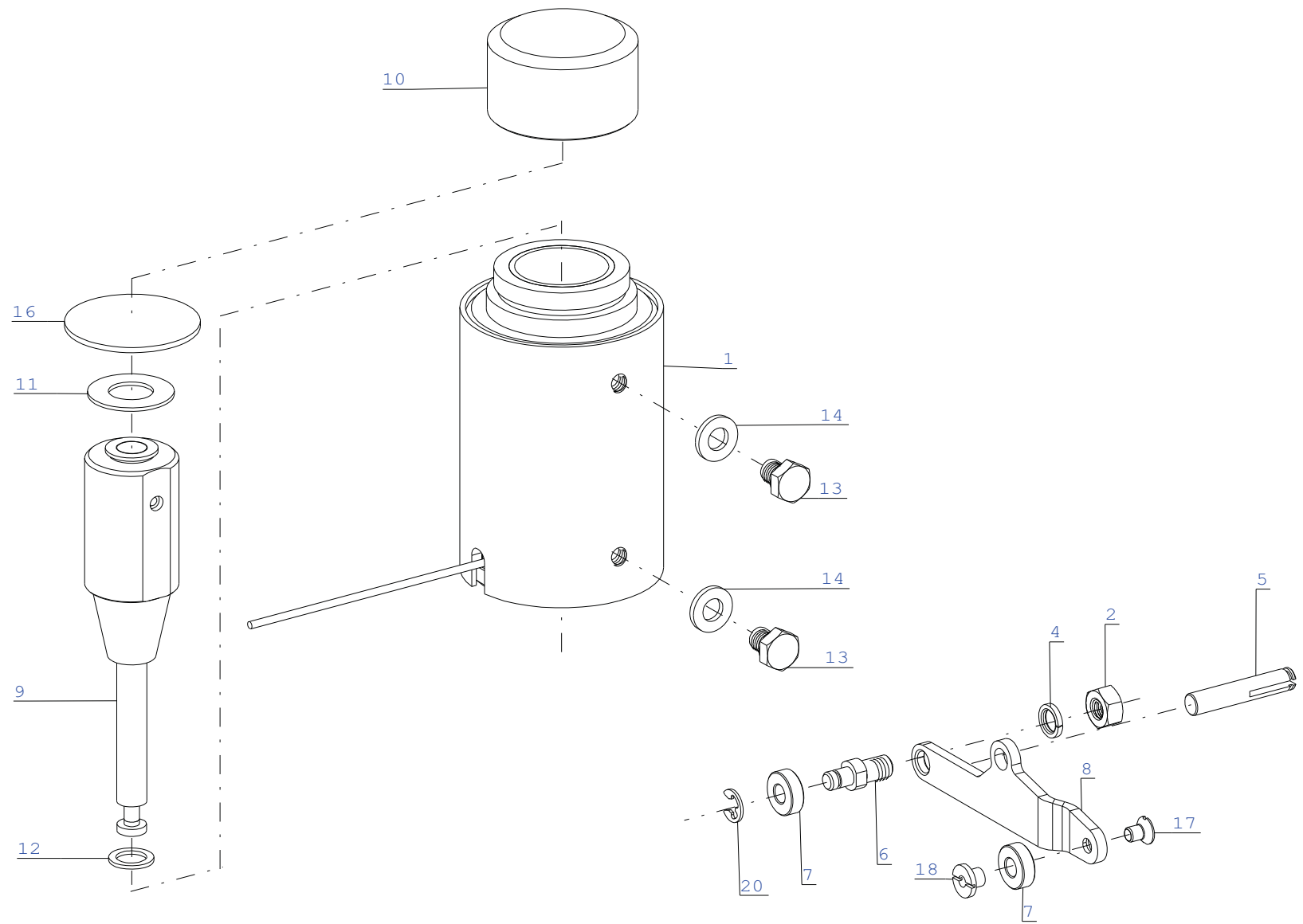
M 552

Pos. Det.	Dílec č. Part No.	Název	Denomination
1	S080 111300	ŠROUB	SCREW
2	S080 126182	ŠROUB	SCREW
3	S080 441708	JÁDRO	CORE
4	S080 441709	KRYT	COVER
5	S080 943212	PODLOŽKA	WASHER
6	S080 168006	PRUŽNÁ PODLOŽKA	SPRINGY WASHER
10	S980 027600	TYČ ÚPLNÁ	BAR CPL.
15	S980 094081	MAGNET	ELECTROMAGNET

Pos. Det.	Dílec č. Part No.	Název	Denomination
--------------	----------------------	-------	--------------



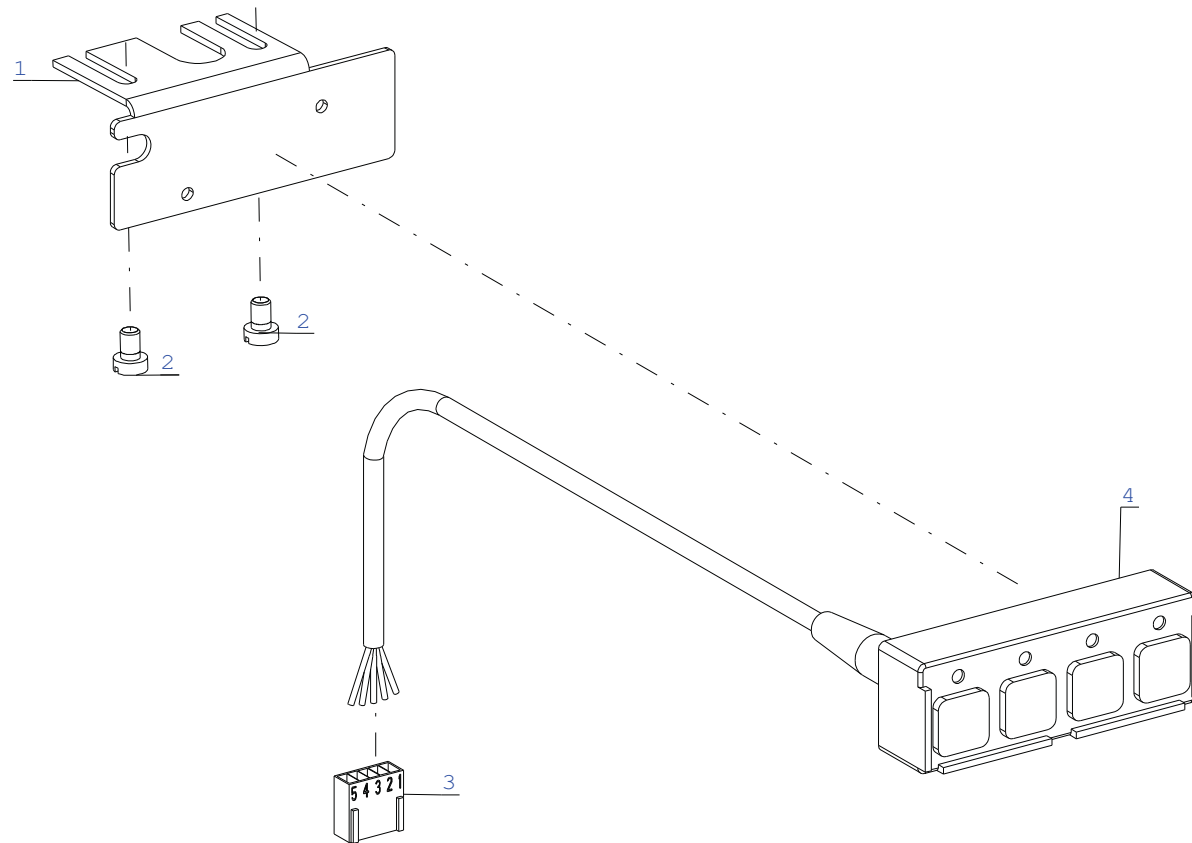




M 249

Pos. Det.	Dílec č. Part No.	Název	Denomination
.....	S980 000249	ELEKTROMAGNETICKÉ ZPÁTKOVÁNÍ	EMG BACKTACKING
1	VIZ S980 000249	SEE S980 000249
2	S080 161142	MATICE M6	NUT M6
4	S080 191108	PODLOŽKA	WASHER
5	S080 318234	ČEP	PIN
6	VIZ S980 000249	SEE S980 000249
7	S080 418184	KLADKA	ROLLER
8	VIZ S980 000249	SEE S980 000249
9	VIZ S980 000249	SEE S980 000249
10	VIZ S980 000249	SEE S980 000249
11	S080 943212	PODLOŽKA	WASHER
12	S080 190675	PODLOŽKA	WASHER
13	S080 141111	ŠROUB M6 x 8	SCREW M6 x 8
14	S080 190346	PODLOŽKA 6,4	WASHER 6.4
16	VIZ S980 000249	SEE S980 000249
17	S080 123117	ŠROUB	SCREW
18	S080 425327	POUZDRO	CASE
20	S311 732040	POJ. KROUŽEK	RETAINING RING

Pos. Det.	Dílec č. Part No.	Název	Denomination
--------------	----------------------	-------	--------------

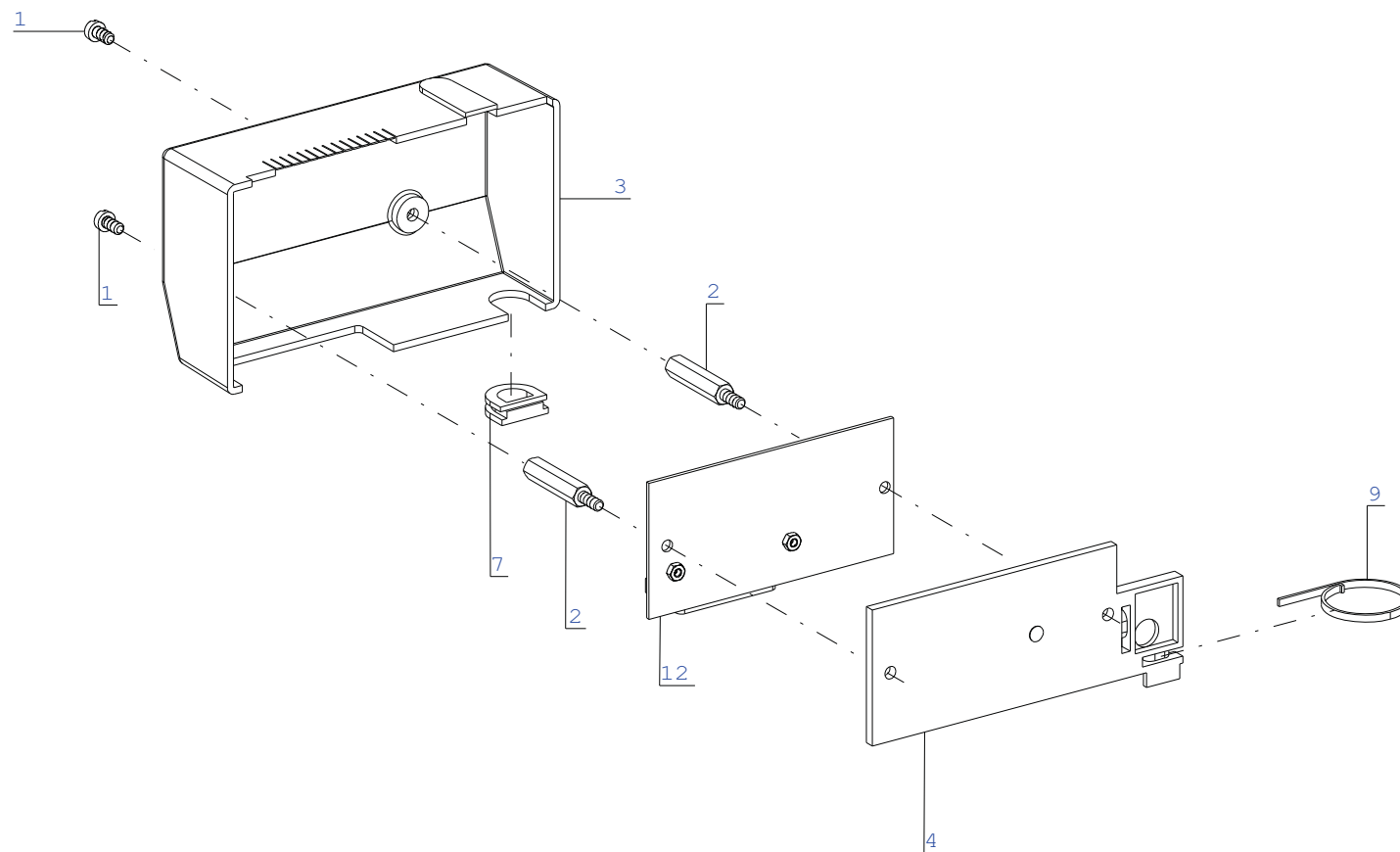


1	Ž LUT Á	YELLOW
2	Z E L E N Á	GREEN
3	H N Ě D Á	BROWN
4	B Í L Á	WHITE
5	Š E D Á	GREY

M 521

Pos. Det.	Dílec č. Part No.	Název	Denomination
.....	S980 000521	TLAČÍTKOVÝ PANEĽ	PUSH-BUTTON PANEL
1	S080 839346	DRŽÁK	HOLDER
2	S309 738406	ŠROUB	SCREW
3	VIZ S980 000521	VIZ S980 000521	SEE S980 000521
4	9880 003000	TLAČÍTKO	PRESS BUTTON

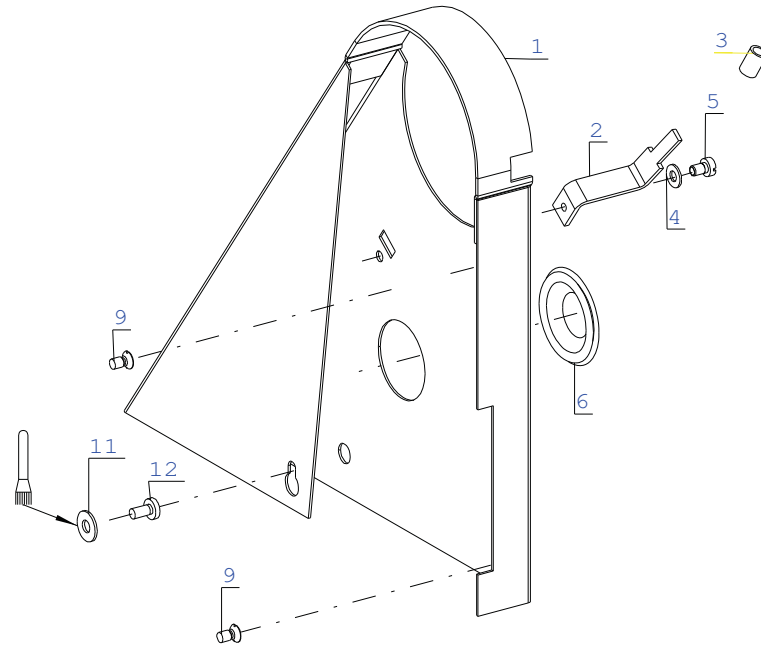
Pos. Det.	Dílec č. Part No.	Název	Denomination
--------------	----------------------	-------	--------------



M 008

Pos. Det.	Dílec č. Part No.	Název	Denomination
.....	S980 000008	ELEKTRICKÝ ROZVADĚČ	ELECTRICAL SWITCH BOARD
1	S080 120410	ŠROUB M4 x 8	SCREW M4 x 8
2	S080 146060	ŠROUB	SCREW
3	S321 952449	KRYT	COVER
4	S321 952451	PODLOŽKA	WASHER
7	S273 940165	PRŮCHODKA	BUSHING
9	S562 411000	NG PÁSEK 2,5 x 135	NG BAND 2.5 x 135
12	S980 094029	DESKA ROZVODU	PLATE OF WIRING

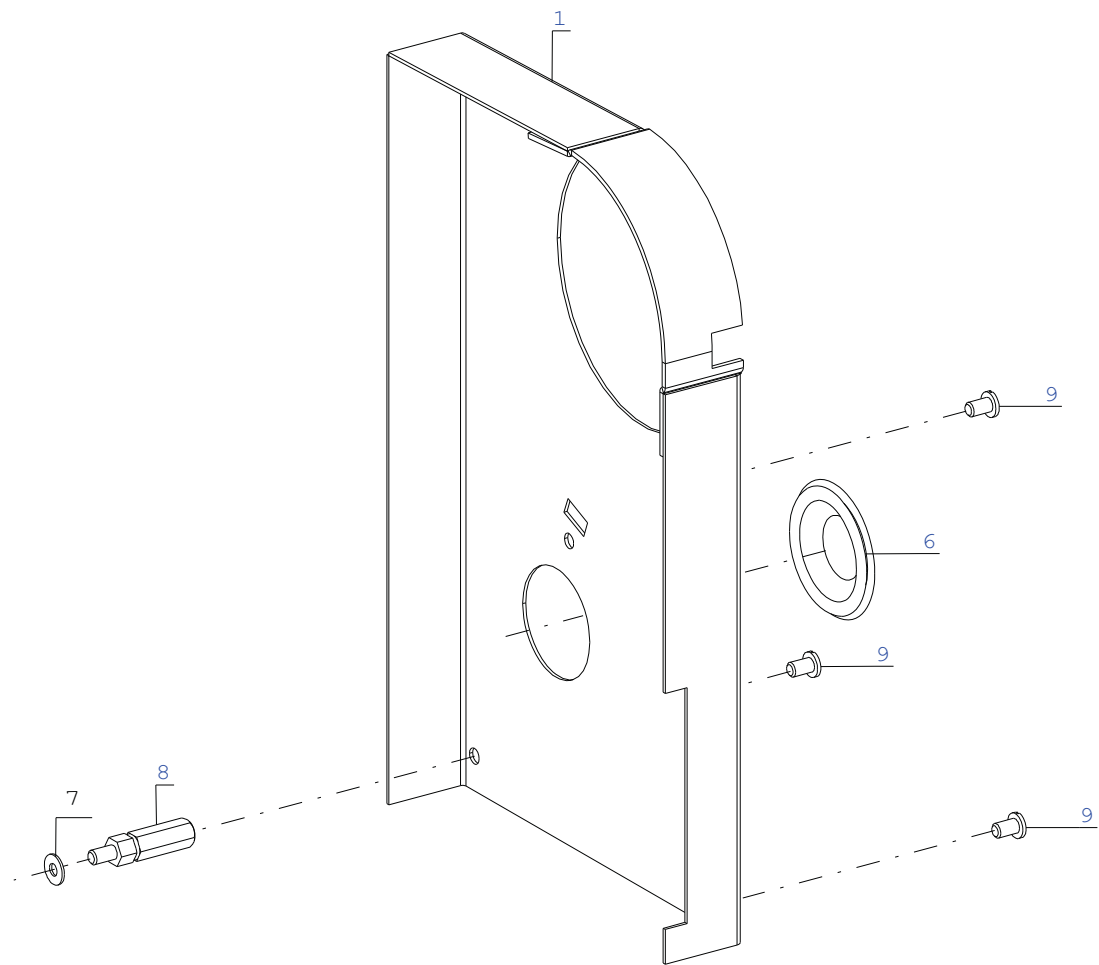
Pos. Det.	Dílec č. Part No.	Název	Denomination
--------------	----------------------	-------	--------------



M 265

Pos. Det.	Dílec č. Part No.	Název	Denomination
1	S980 057268	KRYT ŘEMENE	COVER OF BELT
2	S080 839323	ZARÁŽKA	STOPMOTION
3	S283 002001	HADIČKA PVC	HOSE PVC
4	S080 190369	PODLOŽKA 4,3	WASHER 4.3
5	S080 120409	ŠROUB M4 x 6	SCREW M4 x 6
6	S321 833821	ZASL. ZÁTKA 1833821	PLUG 1833821
9	S080 123117	ŠROUB	SCREW
11	S080 940179	PODLOŽKA	WASHER
12	S309 798408	ŠROUB M4 x 8	SCREW M4 x 8

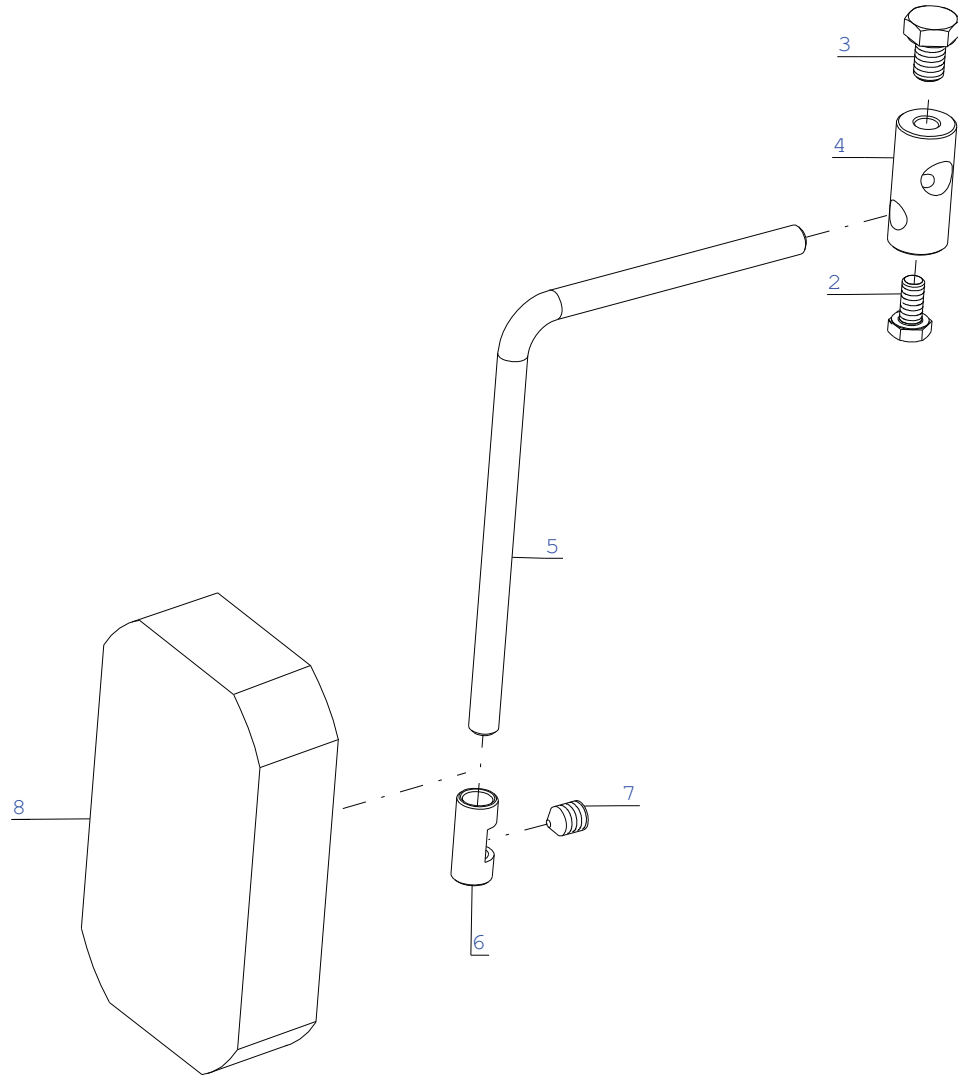
Pos. Det.	Dílec č. Part No.	Název	Denomination
--------------	----------------------	-------	--------------



M 267

Pos. Det.	Dílec č. Part No.	Název	Denomination
1	S980 057273	KRYT ÚPLNÝ	COVER CPL.
6	S321 833821	ZÁTKA	PLUG
7	S080 191120	PODLOŽKA	WASHER
8	S080 146058	ŠROUB	SCREW
9	S080 123117	ŠROUB	SCREW

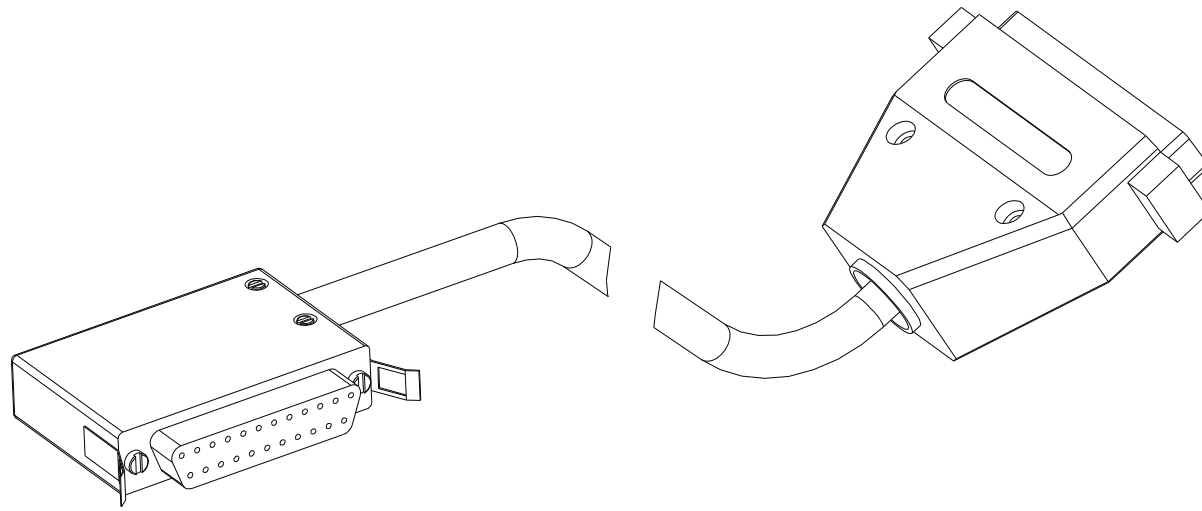
Pos. Det.	Dílec č. Part No.	Název	Denomination
--------------	----------------------	-------	--------------



M 070

Pos. Det.	Dílec č. Part No.	Název	Denomination
.....	S980 000070	KOLENNÍ PÁKA	KNEE LEVER
2	S080 141098	ŠROUB M6 x 12	SCREW M6 x 12
3	S080 141121	ŠROUB M8 x 12	SCREW M8 x 12
4	VIZ S980 000070	SEE S980 000070
5	VIZ S980 000070	SEE S980 000070
6	S080 416146	POUZDRO	CASE
7	9205 102788	ŠROUB	SCREW
8	0396 130013	OPĚRKA	CUSHION

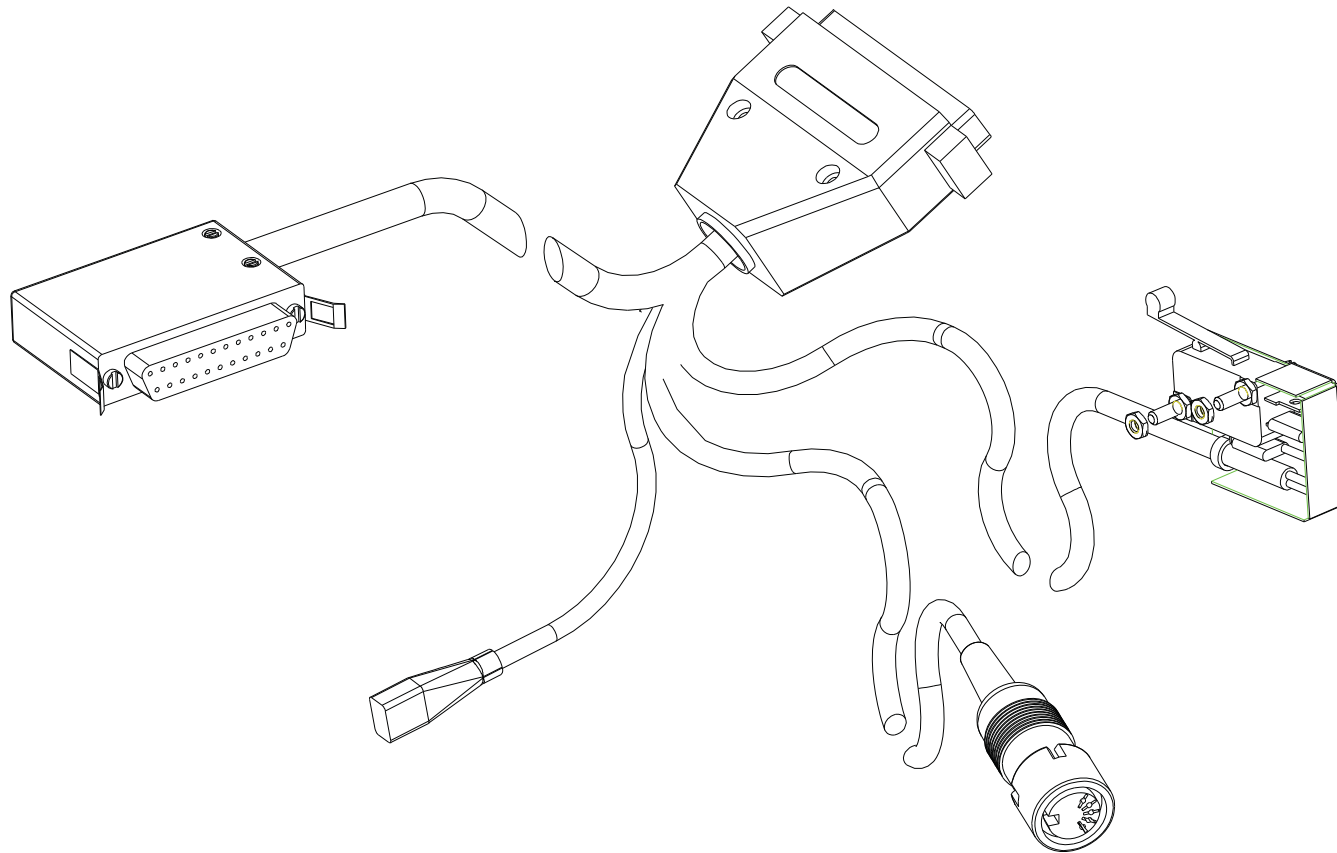
Pos. Det.	Dílec č. Part No.	Název	Denomination
--------------	----------------------	-------	--------------



M 163

Pos. Det.	Dílce č. Part No.	Název	Denomination
.....	S980 000163	PROPOJOVACÍ KABEL EFKA	CONNECTING CABLE EFKA

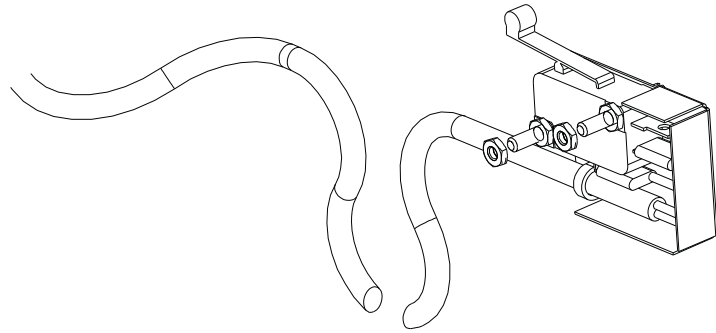
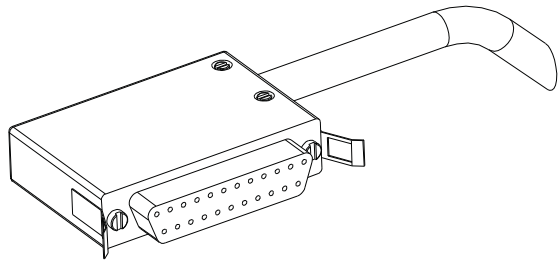
Pos. Det.	Dílce č. Part No.	Název	Denomination
--------------	----------------------	-------	--------------



M 301

Pos. Det.	Díllec č. Part No.	Název	Denomination
.....	S980 000163	PROPOJOVACÍ KABEL EFKA	CONNECTING CABLE EFKA

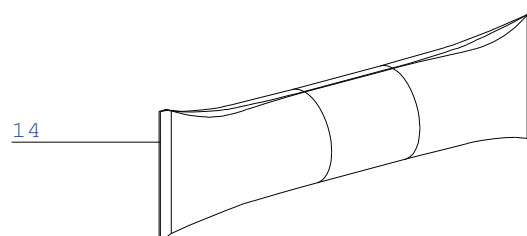
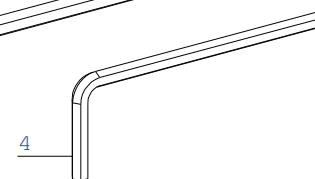
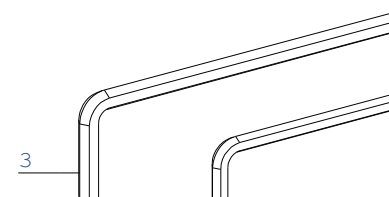
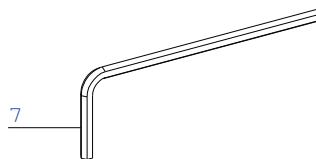
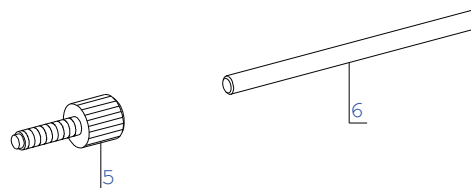
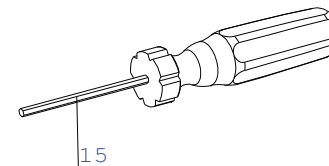
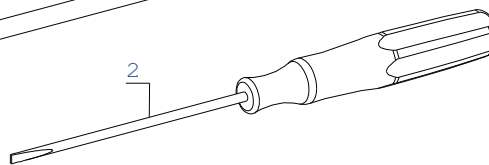
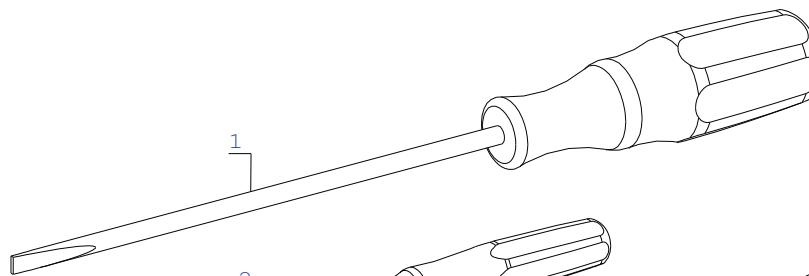
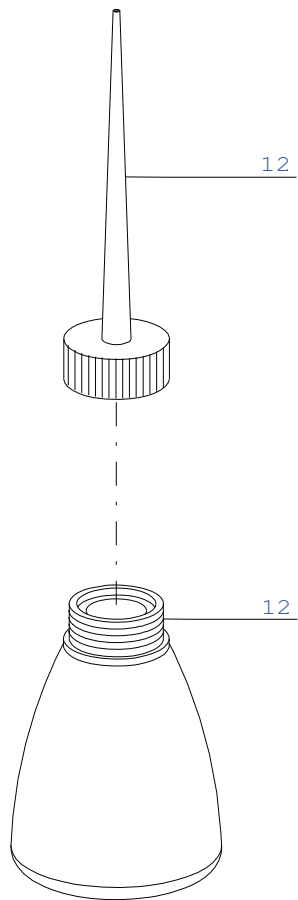
Pos. Det.	Díllec č. Part No.	Název	Denomination
--------------	-----------------------	-------	--------------



M 325

Pos. Det.	Díllec č. Part No.	Název	Denomination
.....	S980 000325	PROPOJOVACÍ KABEL	CONNECTING CABLE

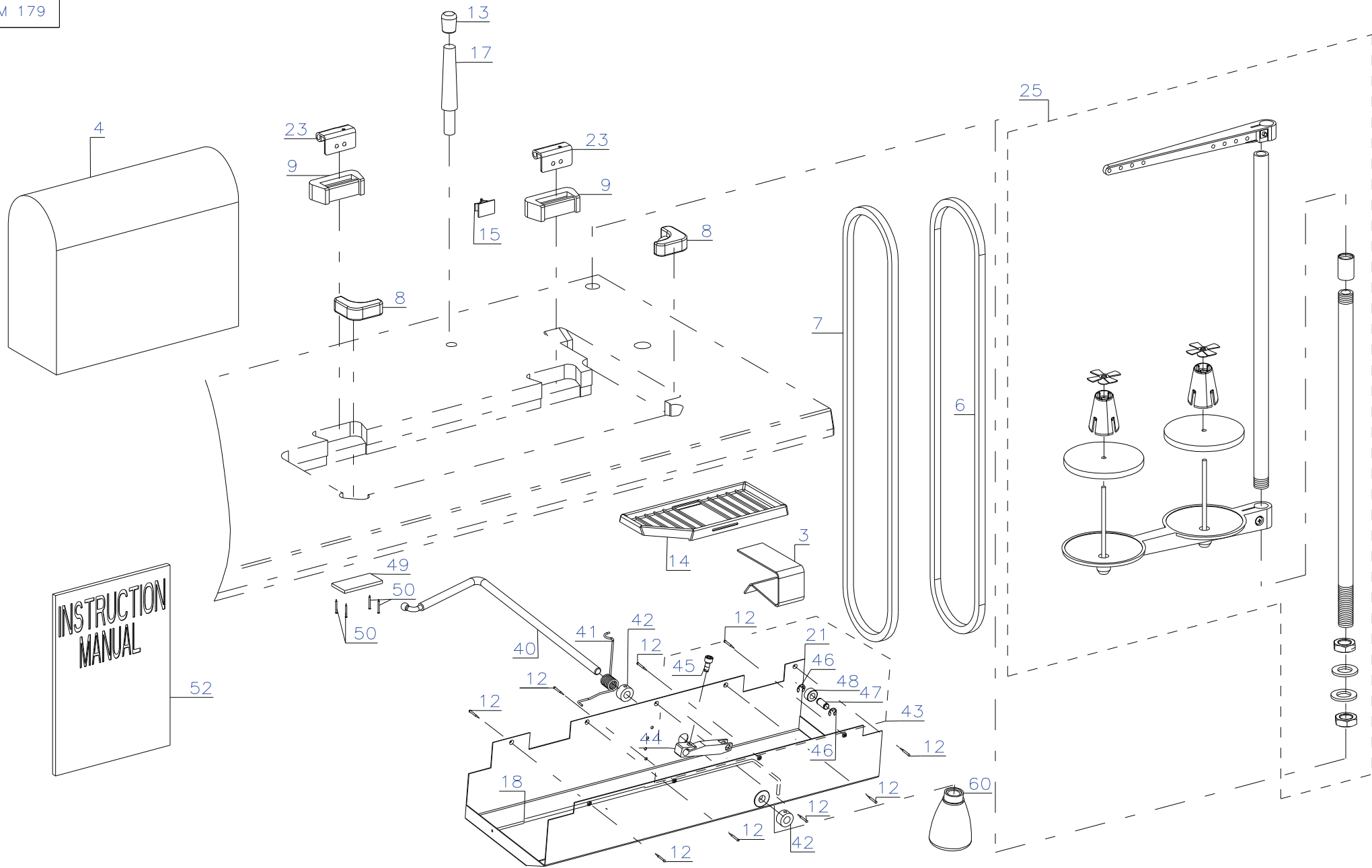
Pos. Det.	Díllec č. Part No.	Název	Denomination
--------------	-----------------------	-------	--------------



M 015

Pos. Det.	Dílec č. Part No.	Název	Denomination
.....	S980 000015	STANDARDNÍ PŘÍSLUŠENSTVÍ	STANDARD ACCESSORIES
1	9081 500051	ŠROUBOVÁK	SCREWDRIVER
2	9081 500010	ŠROUBOVÁK	SCREWDRIVER
3	S413 000500	KLÍČ IMBUS 5	SPANNER IMBUS 5
4	S413 000400	KLÍČ IMBUS 4	SPANNER IMBUS 4
5	S080 133124	ARETAČNÍ ŠROUB	FIXING SCREW
6	S080 310470	NAŠTAVOVACÍ KOLÍK	SETTING PIN
7	S413 000500	KLÍČ IMBUS 3	SPANNER IMBUS 3
11	S548 001000	NAVLEKAČ NITÍ	THREADING OF THREAD
12	0052 000369	OLEJNÍČKA	OIL CAN
14	0211 000699	MAZACÍ OLEJ	OIL
15	9081 100251	ŠROUBOVÁK	SCREWDRIVER

Pos. Det.	Dílec č. Part No.	Název	Denomination
--------------	----------------------	-------	--------------



M 179

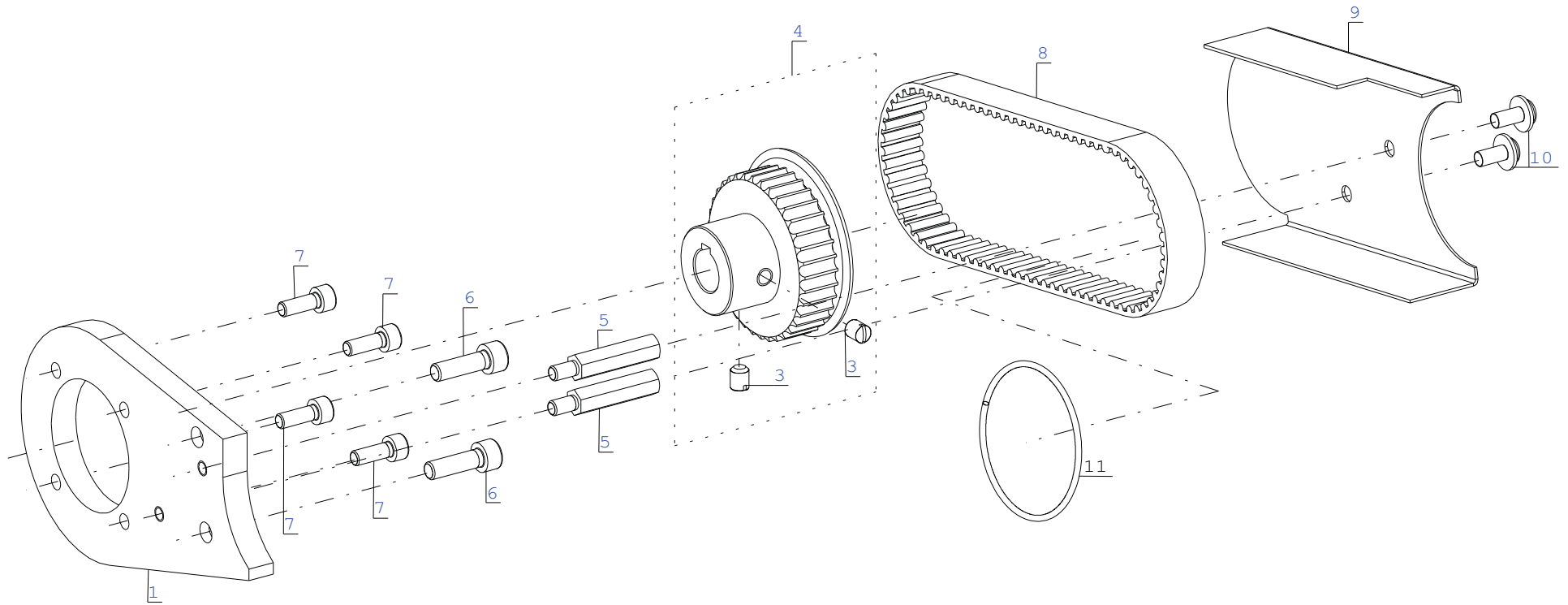
Pos. Det.	Dílec č. Part No.	Název	Denomination
3	S080 826387	PŘÍCHYTKA	CLIP
4	0APP 000301	KRYT	COVER
6	S272 000040	KLÍNOVÝ ŘEMEN	V-BELT
7	S272 000043	KLÍNOVÝ ŘEMEN	V-BELT
8	S907 010050	VLOŽKA	INSERT
9	S273 940127	VLOŽKA	INSERT
12	S840 123002	HŘEB 2 x 23	NAIL 2 x 23
13	S321 026000	ČEPIČKA 16 x 26	CAP 16 x 26
14	S321 953251	MISKA	DISH
15	S345 172000	KABEL. PŘÍCHYTKA	CABLE CLIP
17	S615 932046	KOLÍK	PIN
18	S708 130003	KNOT MAZACÍ	WICK LUBRICATING
21	S980 057265	OLEJOVÁ VANA S POUZDRY	OIL TRAY WITH BUSHINGS
23	S080 823149	ZÁVĚS	HANGER
25	S981 036162	NIŤ. STOJÁNEK PRO JEDNOJEHL.ST.	THREAD STAND FOR SINGLE-NEEDLE MACHINES
40	S080 383206	PÁKA	LEVER
41	S080 264330	PRUŽINA	SPRING
42	S311 710010	STAVĚCÍ KROUŽEK	REGULATING RING
43	S981 027603	PÁKA ÚPLNÁ	LEVER CPL.
44		VIZ POS. 43	SEE 43
45	S080 120295	ŠROUB	SCREW
46	S311 732060	POJ. KROUŽEK	RETAINING RING
47		VIZ POS. 43	SEE 43
48		VIZ POS. 43	SEE 43
49	S080 941091	PODLÓŽKA	WASHER
50	S314 016020	HŘEB 1,6 x 20	NAIL 1.6 x 20
52		Dokumentace dle typu stroje	Documentation of the machine type
60	0052 000369	OLEJNÍČKA	OIL CAN

Pos. Det.	Dílec č. Part No.	Název	Denomination
--------------	----------------------	-------	--------------

M 255

Pos. Det.	Dílec č. Part No.	Název	Denomination
3	S080 826387	PŘÍCHYTKA	CLIP
4	0APP 000301	KRYT	COVER
8	0907 010050	VLOŽKA	INSERT
9	S273 940127	VLOŽKA	INSERT
12	9840 123002	HŘEB	NAIL
13	S321 026000	ČEPIČKA 16 x 26	CAP 16 x 26
14	S321 953251	MISKA	DISH
15	S345 172000	KABEL. PŘÍCHYTKA	CABLE CLIP
17	S615 932046	KOLÍK	PIN
18	S708 130003	KNOT MAZACÍ	WICK LUBRICATING
21	S980 057274	OLEJOVÁ VANA ÚPLNÁ	OIL TRAY CPL.
22	S981 094058	ELEKTROINSTALAČNÍ MATERIÁL	MATERIAL OF EL.INSTALATION
23	S080 823149	ZÁVĚS	HANGER
25	S981 036162	NIŤ. STOJÁNEK PRO JEDNOJEHL.ST.	THREAD STAND FOR SINGLE-NEEDLE MACHINES
30	S080 314210	HŘÍDEL	SHAFT
31	S080 941107	KROUŽEK	RING
32	S080 625022	NARÁŽKA	STOP
33	S080 141141	ŠROUB	SCREW
34	S283 068001	HADIČKA PVC	HOSE PVC
35	S315 264339	PRUŽINA	SPRING
36	S981 027603	PÁKA ÚPLNÁ	LEVER CPL.
44	S080 625186	PÁKA	LEVER
45	S080 120295	ŠROUB	SCREW
46	S311 732060	POJIŠŤOVACÍ KROUŽEK	RETAINING RING
47	S080 318238	ČEP	PIN
48	S080 418183	KLADKA	ROLLER
52		Dokumentace dle typu stroje	Documentation of the machine type
60	0052 000369	OLEJNÍČKA	OIL CAN
61	S080 831722	KRYT	COVER
62	9201 112877	ŠROUB	SCREW
63	9330 700107	PODLOŽKA	WASHER
64	9330 000098	PODLOŽKA	WASHER
65	9231 110108	MATICE	NUT

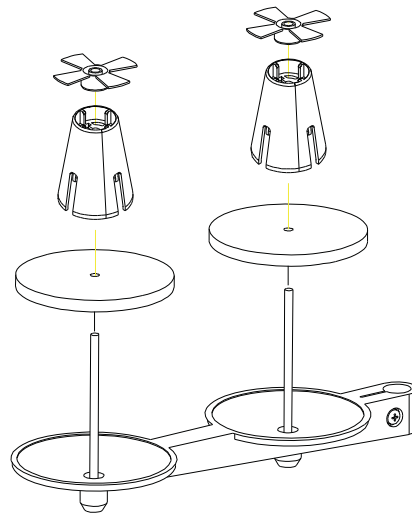
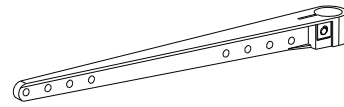
Pos. Det.	Dílec č. Part No.	Název	Denomination
--------------	----------------------	-------	--------------



M 300

Pos. Det.	Dílec č. Part No.	Název	Denomination
1	S080 836488	DRŽAK	HOLDER
3	S080 111236	ŠROUB	SCREW
4	S981 045566	ŘEMENICE ÚPLNÁ	PULLEY CPL.
5	S080 146064	ŠROUB	SCREW
6	9202 002908	ŠROUB	SCREW
7	S309 543512	ŠROUB	SCREW
8	S272 100519	OZUBENÝ ŘEMEN	TOOTHED BELT
9	S080 831710	KRYT	COVER
10	S309 000510	ŠROUB	SCREW
11	S080 274152	KROUŽEK	RING

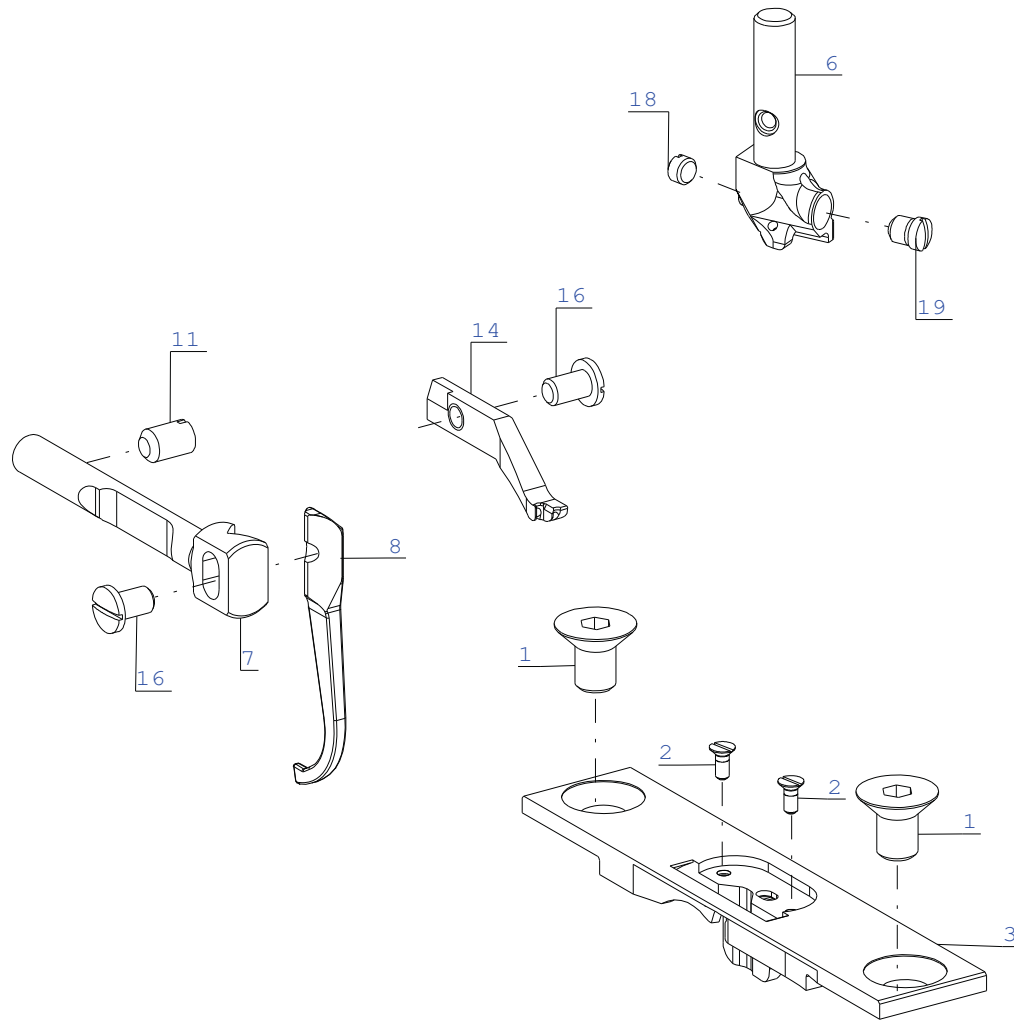
Pos. Det.	Dílec č. Part No.	Název	Denomination
--------------	----------------------	-------	--------------

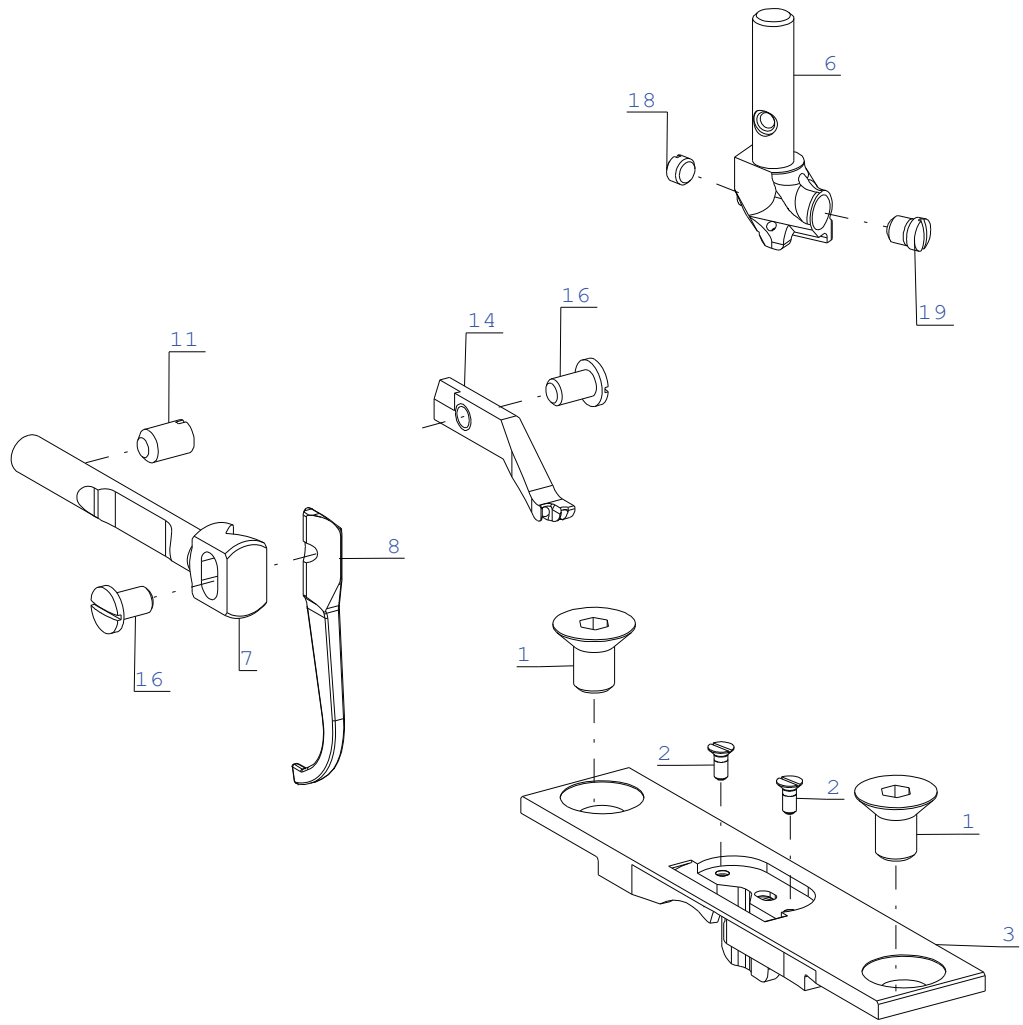


M 016

Pos. Det.	Dílce č. Part No.	Název	Denomination
.....	S980 000016	ROZŠÍŘENÍ NIŤOVÉHO STOJÁNKU	ADDITIONAL PART FOR THREAD STAND

Pos. Det.	Dílce č. Part No.	Název	Denomination
--------------	----------------------	-------	--------------

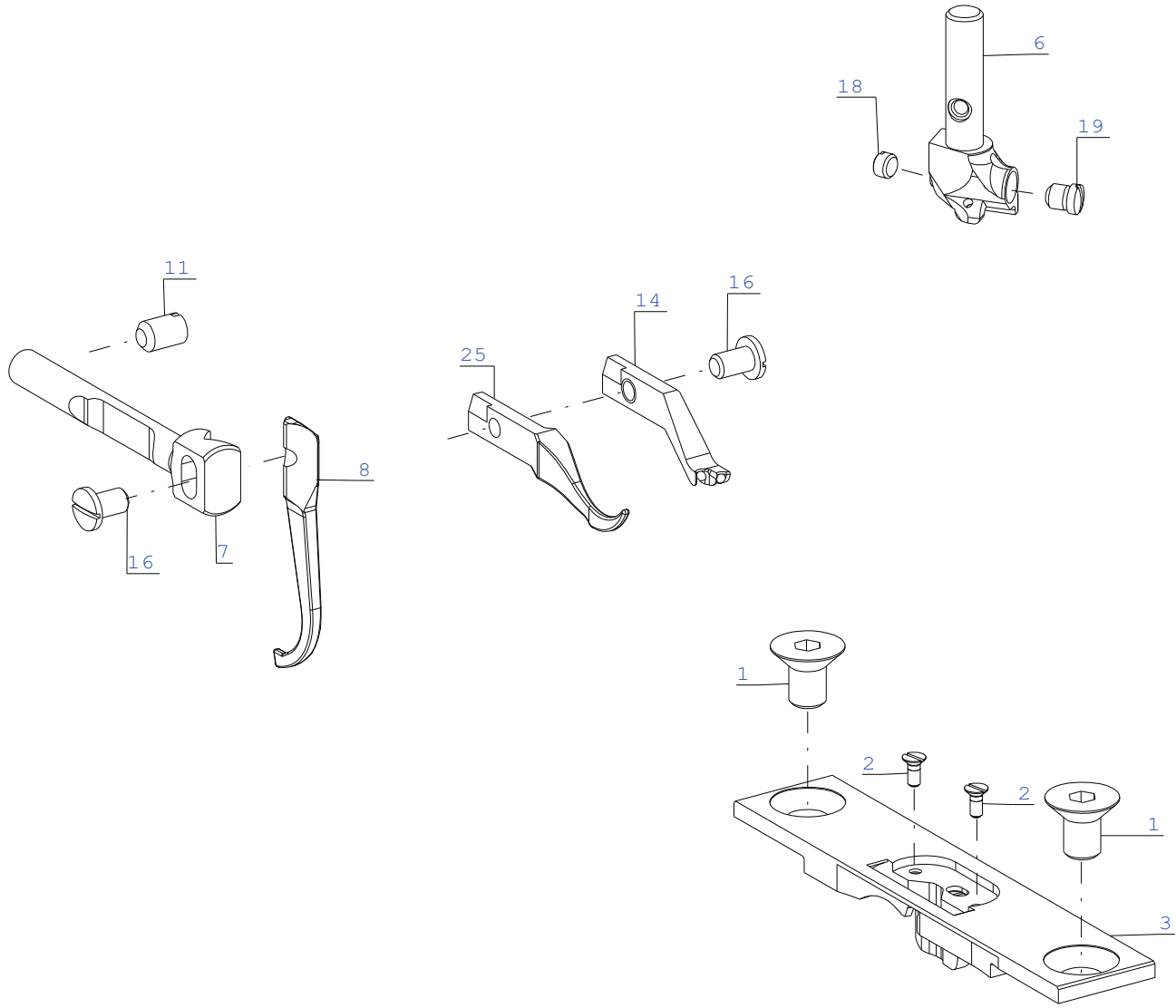




M 025

Pos. Det.	Dílec č. Part No.	Název	Denomination
1	S309 799610	ŠROUB M6 x 10	SCREW M6 x 10
2	S080 126184	ŠROUB M2 x 5	SCREW M2 x 5
3	S080 811791	STĚHOVÁ DESKA	THROAT PLATE
6	S080 394190	JEHELNÍK	NEEDLE HOLDER
7	S080 349213	DRŽÁK VODIČE	HOLDER
8	S080 623291	VODIČ JEHEL PŘEDNÍ	FRONT NEEDLE GUIDE
11	S080 111302	ŠROUB M5 x 8	SCREW M5 x 8
14	S080 623288	VODIČ JEHEL	NEEDLE GUIDE
16	S080 132112	ŠROUB	SCREW
18	S080 111109	ŠROUB	SCREW
19	S080 124051	ŠROUB JEHELNÍKU	SCREW

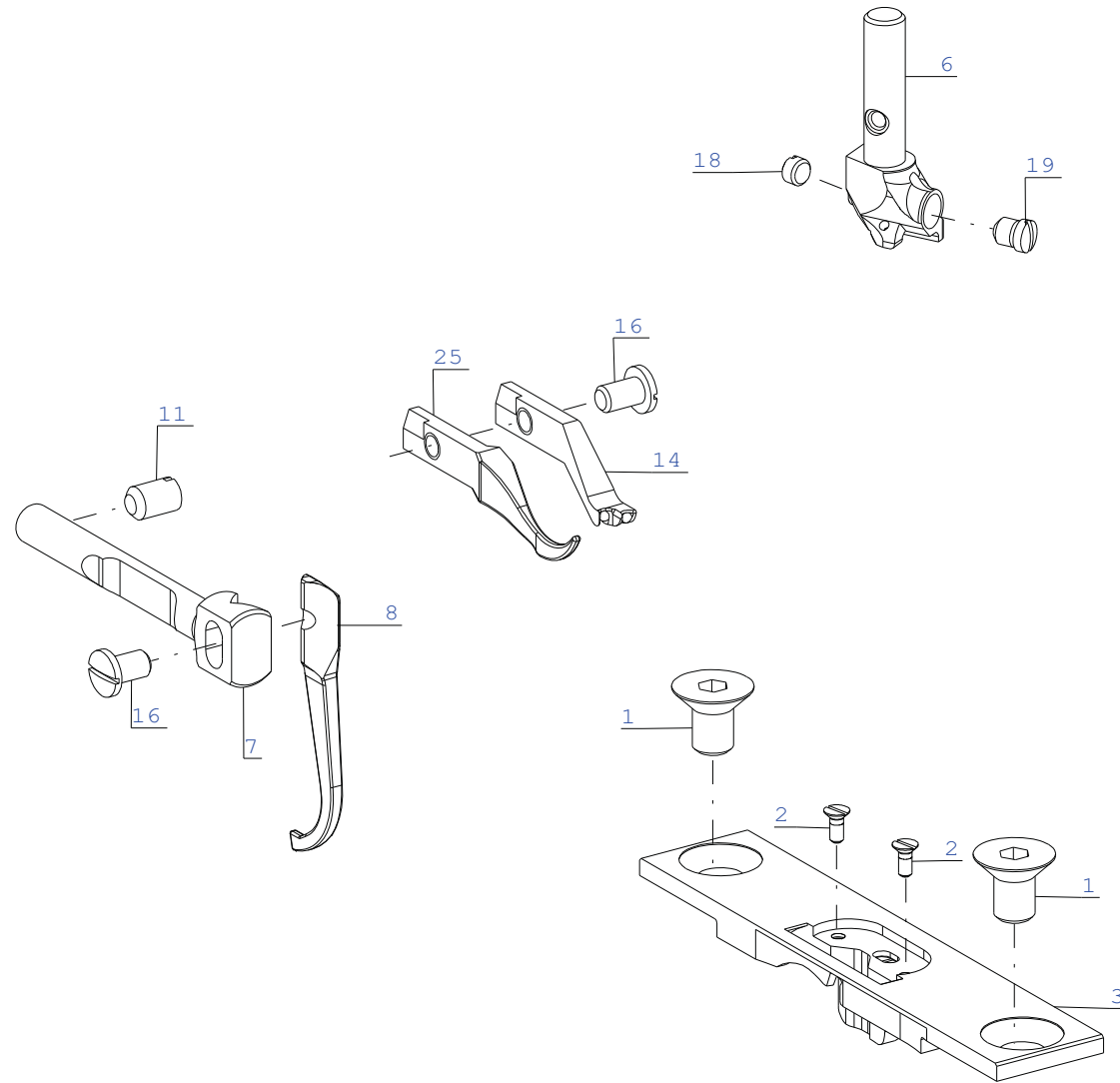
Pos. Det.	Dílec č. Part No.	Název	Denomination
--------------	----------------------	-------	--------------



M 026

Pos. Det.	Dílec č. Part No.	Název	Denomination
1	S309 799610	ŠROUB M6 x 10	SCREW M6 x 10
2	S080 126184	ŠROUB M2 x 5	SCREW M2 x 5
3	S080 811792	STĚHOVÁ DESKA	THROAT PLATE
6	S080 394202	JEHELNÍK	NEEDLE HOLDER
7	S080 349213	DRŽÁK VODIČE	HOLDER
8	S080 623291	VODIČ JEHEL PŘEDNÍ	FRONT NEEDLE GUIDE
11	S080 111302	ŠROUB M5 x 8	SCREW M5 x 8
14	S080 623293	VODIČ JEHEL	NEEDLE GUIDE
16	S080 132112	ŠROUB	SCREW
18	S080 111109	ŠROUB	SCREW
19	S080 124051	ŠROUB JEHELNÍKU	SCREW
25	S080 623297	VODIČ JEHEL	NEEDLE GUIDE

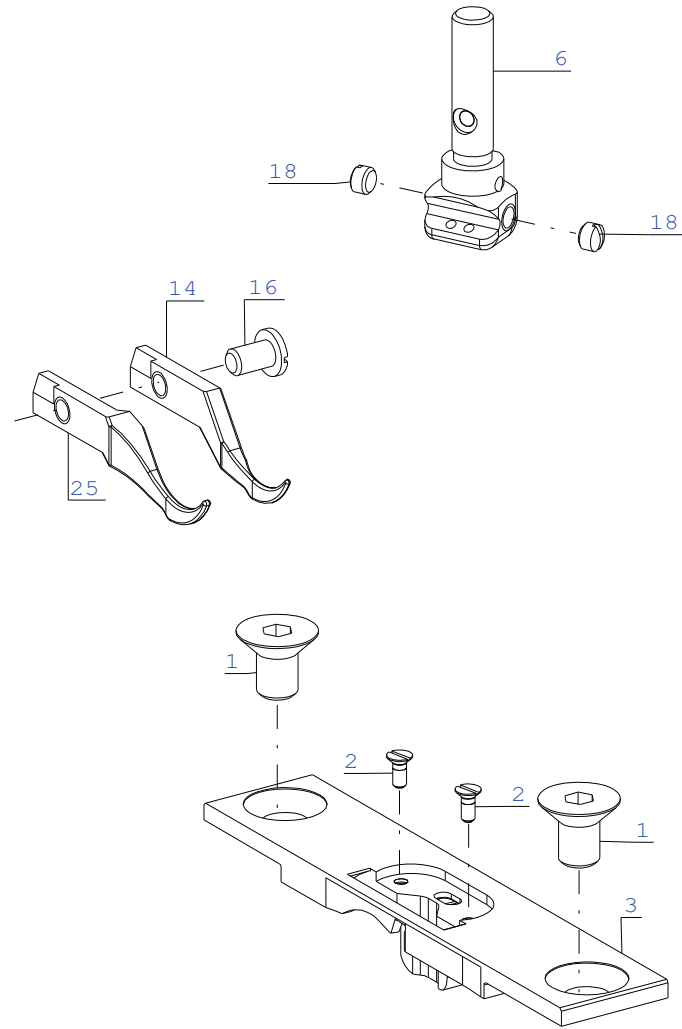
Pos. Det.	Dílec č. Part No.	Název	Denomination
--------------	----------------------	-------	--------------



M 027

Pos. Det.	Dílec č. Part No.	Název	Denomination
1	S309 799610	ŠROUB M6 x 10	SCREW M6 x 10
2	S080 126184	ŠROUB M2 x 5	SCREW M2 x 5
3	S080 811793	STĚHOVÁ DESKA	THROAT PLATE
6	S080 394202	JEHELNÍK	NEEDLE HOLDER
7	S080 349213	DRŽÁK VODIČE	HOLDER
8	S080 623291	VODIČ JEHEL PŘEDNÍ	FRONT NEEDLE GUIDE
11	S080 111302	ŠROUB M5 x 8	SCREW M5 x 8
14	S080 623294	VODIČ JEHEL	NEEDLE GUIDE
16	S080 132112	ŠROUB	SCREW
18	S080 111109	ŠROUB	SCREW
19	S080 124051	ŠROUB JEHELNÍKU	SCREW
25	S080 623297	VODIČ JEHEL	NEEDLE GUIDE

Pos. Det.	Dílec č. Part No.	Název	Denomination
--------------	----------------------	-------	--------------



M 028

Pos. Det.	Dílec č. Part No.	Název	Denomination
1	S309 799610	ŠROUB M6 x 10	SCREW M6 x 10
2	S080 126184	ŠROUB M2 x 5	SCREW M2 x 5
3	S080 811794	STEHOVÁ DESKA	THROAT PLATE
6	S080 394168	JEHELNÍK	NEEDLE HOLDER
14	S080 623289	VODIČ JEHEL	NEEDLE GUIDE
16	S080 132112	ŠROUB	SCREW
18	S080 111109	ŠROUB	SCREW
25	S080 623297	VODIČ JEHEL	NEEDLE GUIDE

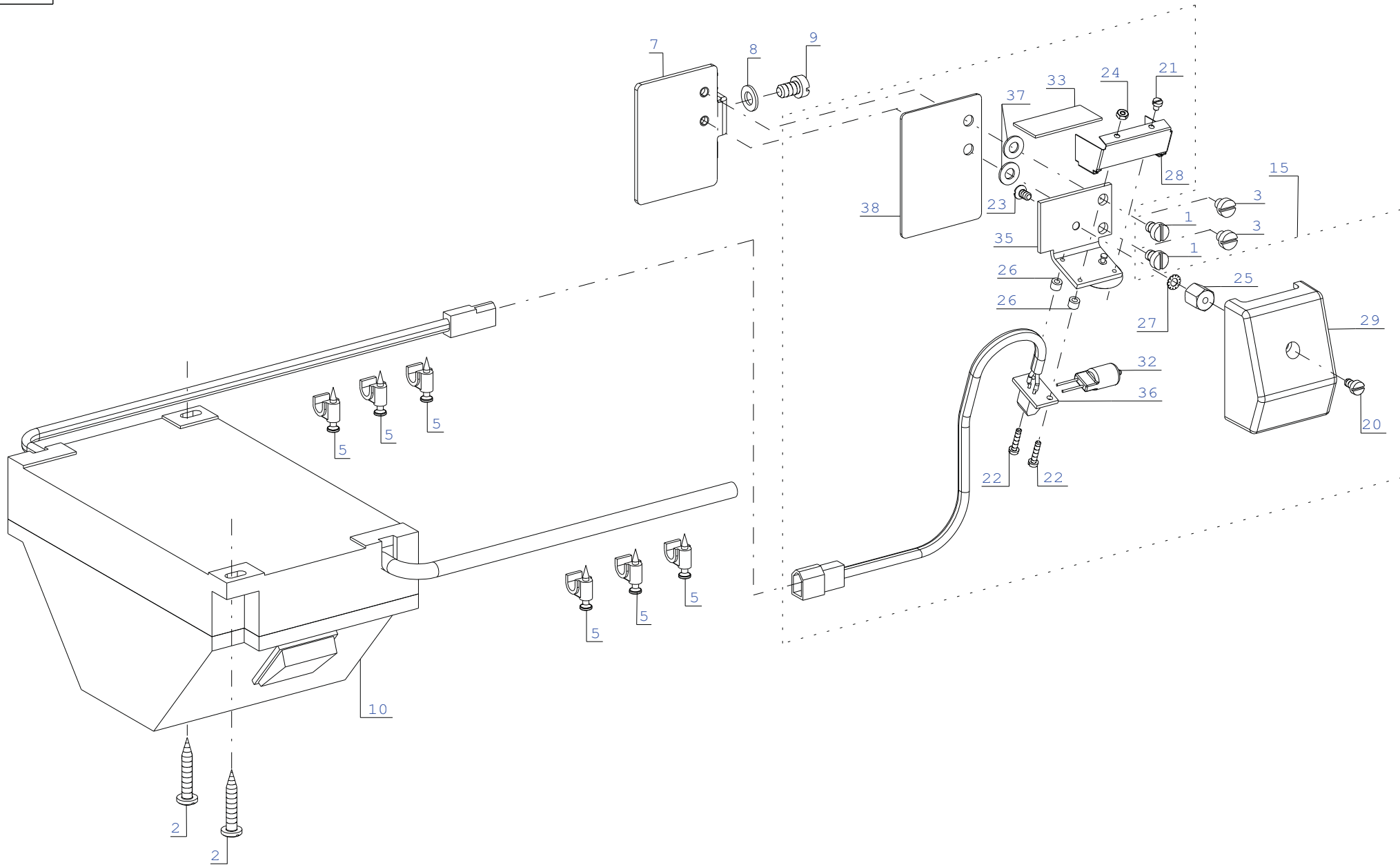
Pos. Det.	Dílec č. Part No.	Název	Denomination
--------------	----------------------	-------	--------------

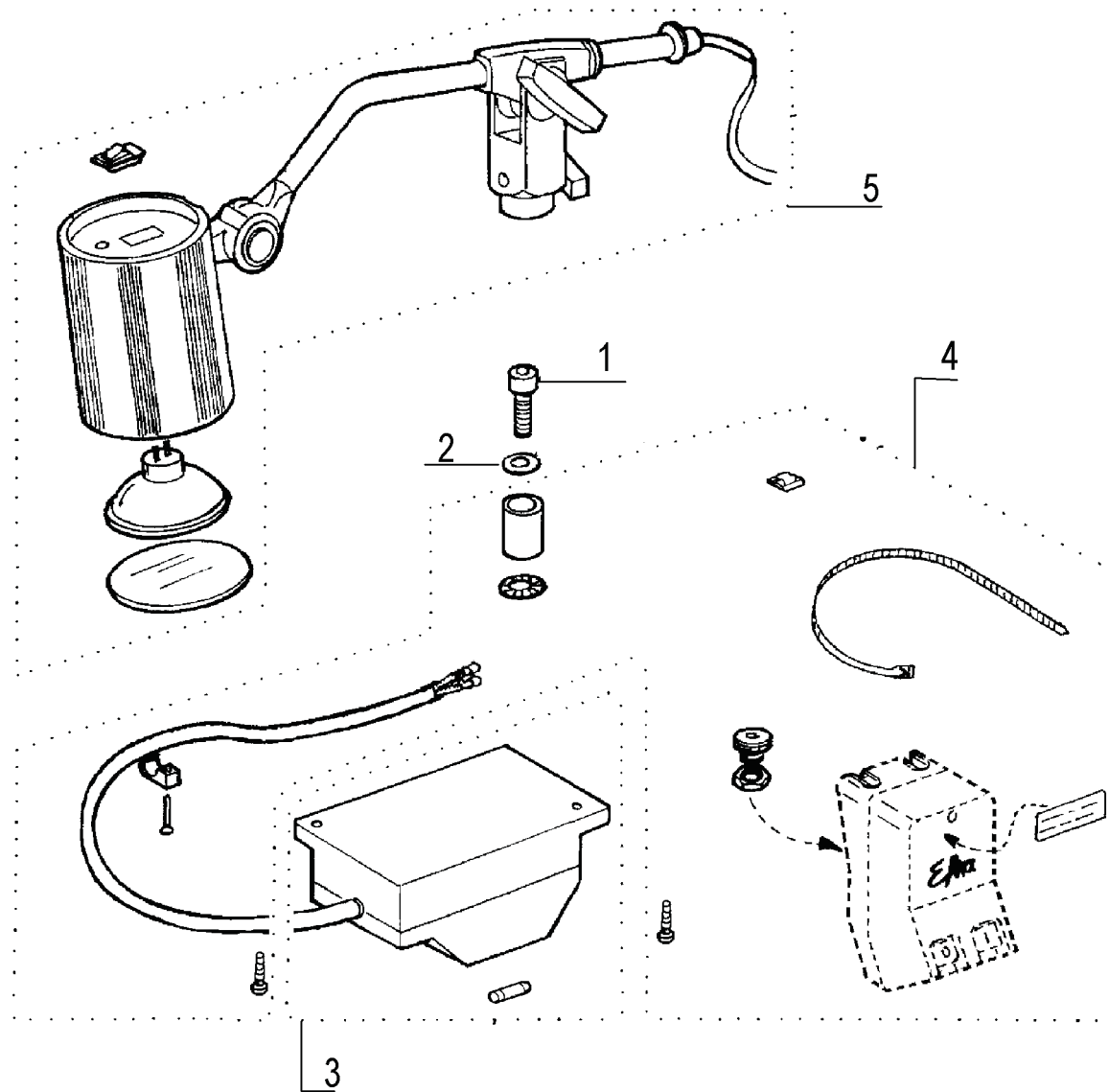
<p>M 111</p> <p>NEEDLE 60-80 CATEGORY 100</p>	<p>M 029</p> <p>NEEDLE 60-80 CATEGORY 100</p>	<p>M 030</p> <p>NEEDLE 80-110 CATEGORY 200</p>	<p>M 031</p> <p>NEEDLE 110-140 CATEGORY 300</p>
<p>M 114</p> <p>NEEDLE 80-110 CATEGORY 200</p>	<p>M 115</p> <p>NEEDLE 110-140 CATEGORY 300</p>	<p>M 032</p> <p>NEEDLE 140-160 CATEGORY 400</p>	<p>M 116</p> <p>NEEDLE 80-110 CATEGORY 200</p>
<p>M 117</p> <p>NEEDLE 110-140 CATEGORY 300</p>	<p>M 118</p> <p>NEEDLE 140-160 CATEGORY 400</p>	<p>M 119</p> <p>NEEDLE 140-160 CATEGORY 400</p>	

M 111 M 029 M 030 M 031 M 114 M 115 M 032 M 116 M 117 M 118 M 119

Pos. Det.	Dílec č. Part No.	Název	Denomination
M 111 S980 000111	VLOŽKA STEHOVÉ DESKY	THROAT PLATE INSERT
M 029 S980 000029	VLOŽKA STEHOVÉ DESKY	THROAT PLATE INSERT
M 030 S980 000030	VLOŽKA STEHOVÉ DESKY	THROAT PLATE INSERT
M 031 S980 000031	VLOŽKA STEHOVÉ DESKY	THROAT PLATE INSERT
M 114 S980 000114	VLOŽKA STEHOVÉ DESKY	THROAT PLATE INSERT
M 115 S980 000115	VLOŽKA STEHOVÉ DESKY	THROAT PLATE INSERT
M 032 S980 000032	VLOŽKA STEHOVÉ DESKY	THROAT PLATE INSERT
M 116 S980 000116	VLOŽKA STEHOVÉ DESKY	THROAT PLATE INSERT
M 117 S980 000117	VLOŽKA STEHOVÉ DESKY	THROAT PLATE INSERT
M 118 S980 000118	VLOŽKA STEHOVÉ DESKY	THROAT PLATE INSERT
M 119 S980 000119	VLOŽKA STEHOVÉ DESKY	THROAT PLATE INSERT

Pos. Det.	Dílec č. Part No.	Název	Denomination

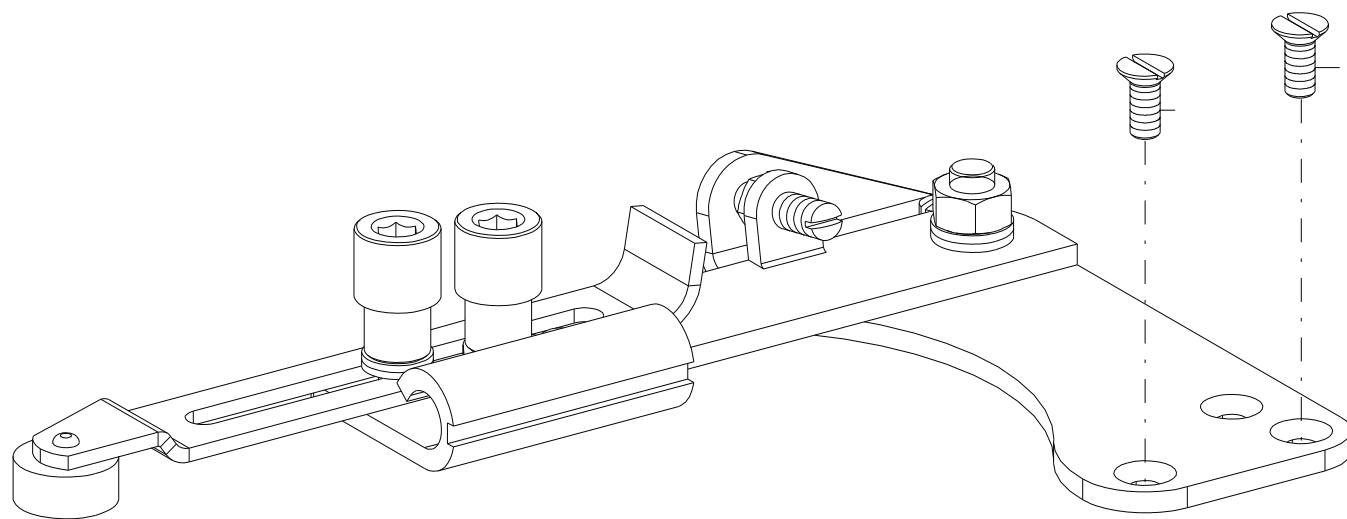




Z 012

Pos. Det.	Dílec č. Part No.	Název	Denomination
.....	S794 222012	OSVĚTLENÍ HALOGEN	LIGHTING HALOGEN
1	S080 120692	ŠROUB	SCREW
2	S080 190346	PODLOŽKA	WASHER
3	0798 500088	TRANSFORMÁTOR OSVĚTLENÍ	TRANSFORMER OF LIGHTING
4	0907 487519	SADA DÍLCŮ	SET OF PARTS
5	9822 510001	OSVĚTLENÍ	LIGHT

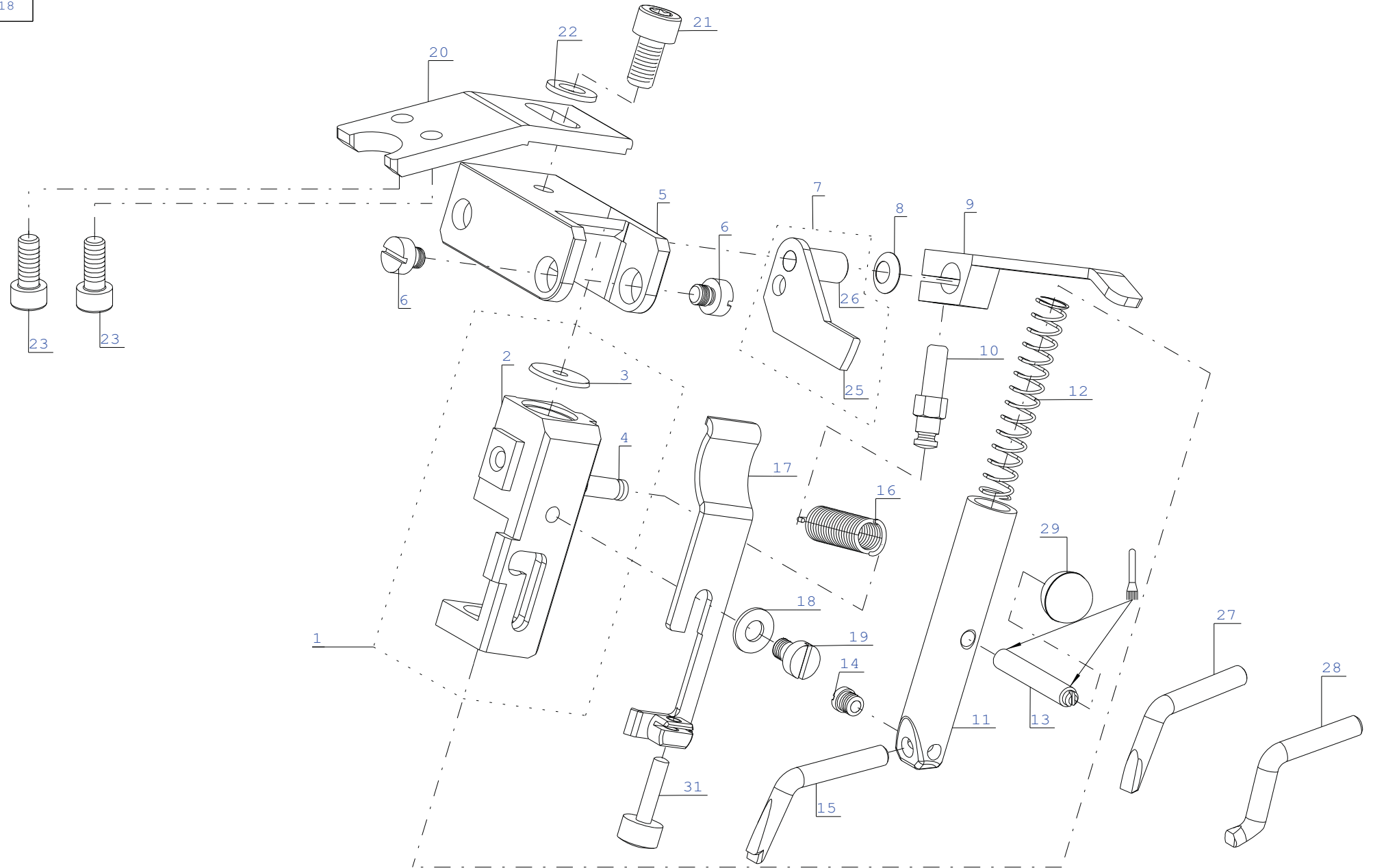
Pos. Det.	Dílec č. Part No.	Název	Denomination
--------------	----------------------	-------	--------------

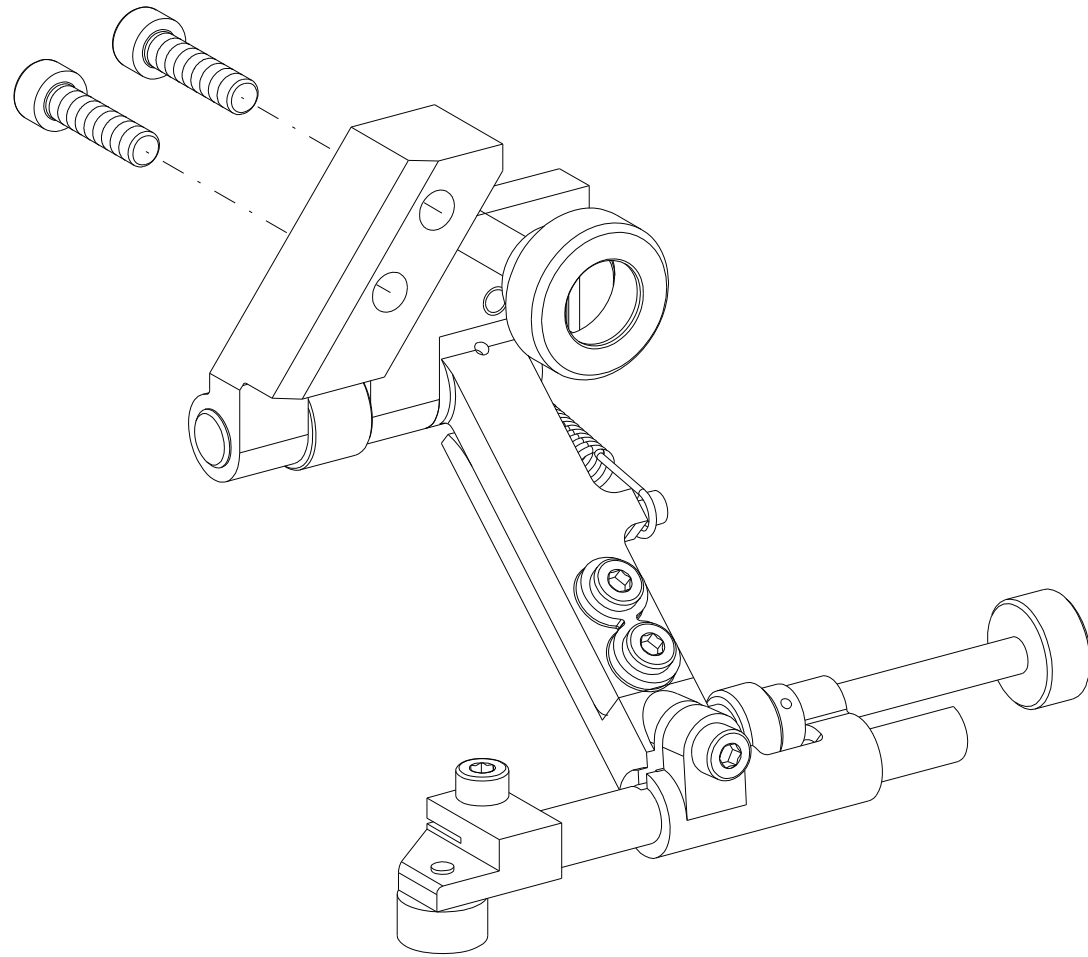


M 198

Pos. Det.	Dílec č. Part No.	Název	Denomination
 S980 000198	VODIČ DÍLA	SEWN WORK GUIDE

Pos. Det.	Dílec č. Part No.	Název	Denomination
--------------	----------------------	-------	--------------



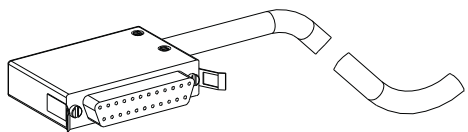


M 149

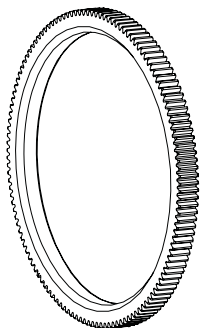
Pos. Det.	Díllec č. Part No.	Název	Denomination
.....	S980 000149	VODIČ DÍLA	SEWN WORK GUIDE

Pos. Det.	Díllec č. Part No.	Název	Denomination
--------------	-----------------------	-------	--------------

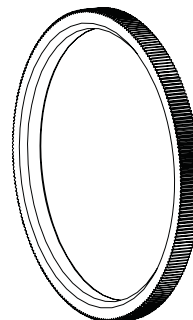
M 055



M 082



M 083



M 132



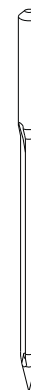
M 133



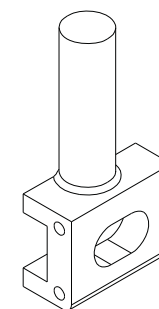
M 134



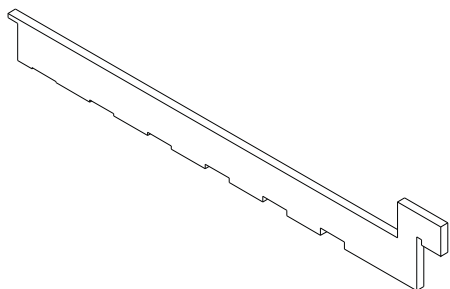
M 135



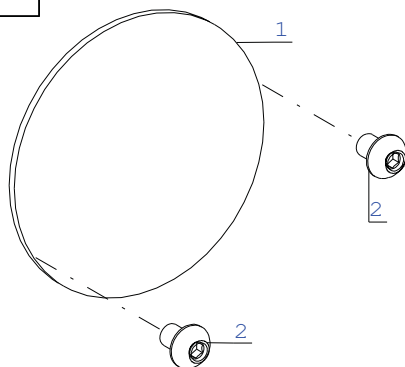
M 194



M 242



M 520

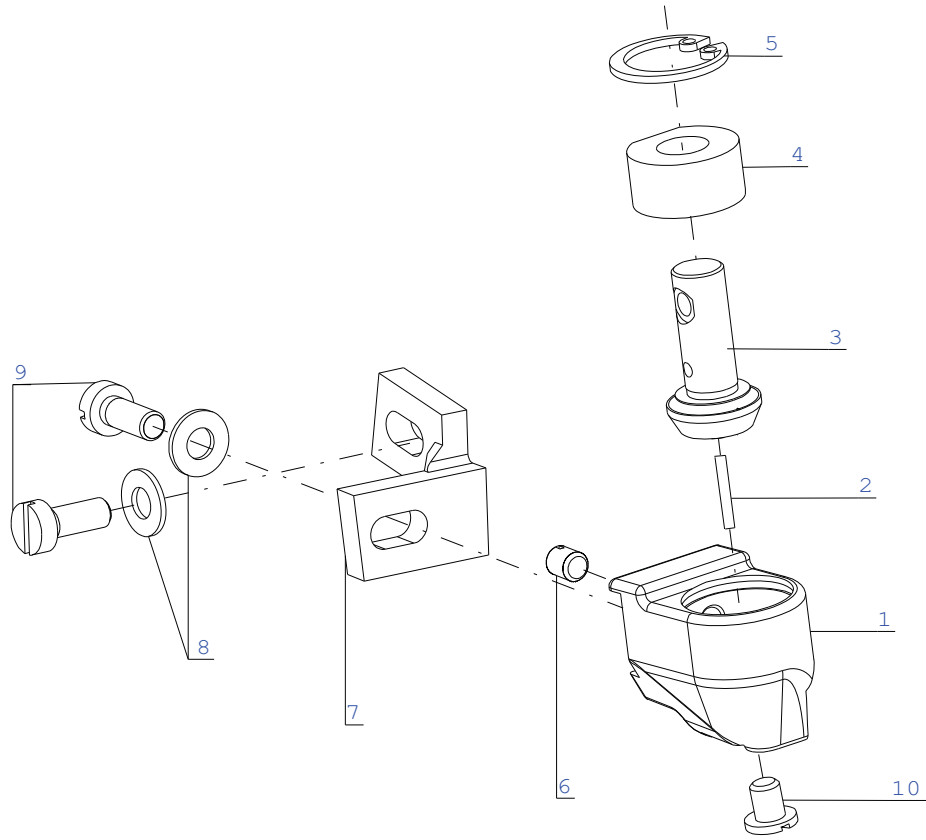


M 055 M 082 M 083 M 132 M 133 M 134 M 135 M 194 M 242 M 520

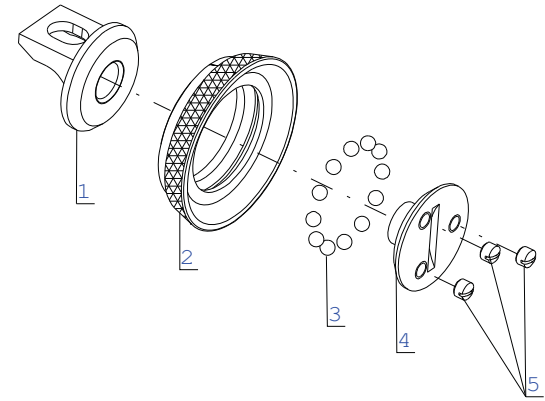
Pos. Det.	Dílce č. Part No.	Název	Denomination
M 055 S980 000055	PROPOJOVACÍ KABEL	CONNECTING CABLE
M 082 S980 000082	PODAVAČ 1,2	FEEDING WHEEL 1.2
M 083 S980 000083	PODAVAČ 0,6	FEEDING WHEEL 0.6
M 132 S548 000255	JEHLA 134 KKLR č. 80	NEEDLE 134 KKLR No. 80
M 133 S548 000260	JEHLA 134 KKLR č. 90	NEEDLE 134 KKLR No. 90
M 134 S548 000312	JEHLA 134 KKLR č. 130	NEEDLE 134 KKLR No. 130
M 135 S548 000325	JEHLA 134 KKLR č. 160	NEEDLE 134 KKLR No. 160
M 194 S980 000194	DRŽÁK ZADNÍHO VODIČE	REAR GUIDE HOLDER
M 242 S548 000242	SEŘIZOVACÍ MĚRKA	ADJUSTABLE GAUGE
M 520 S980 000520	DÍLCE PRO STROJ BEZ ODSTŘIHU	PARTS FOR MACHINE WITHOUT TRIMMING
1 S080 814483	VÍKO	COVER
2 S309 738406	ŠROUB	SCREW

Pos. Det.	Dílce č. Part No.	Název	Denomination

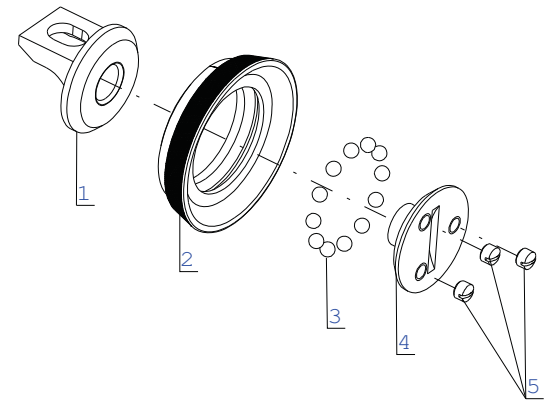
M 156



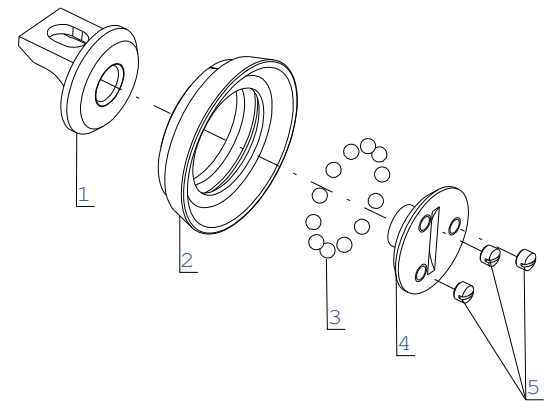
M 172



M 174



M 310

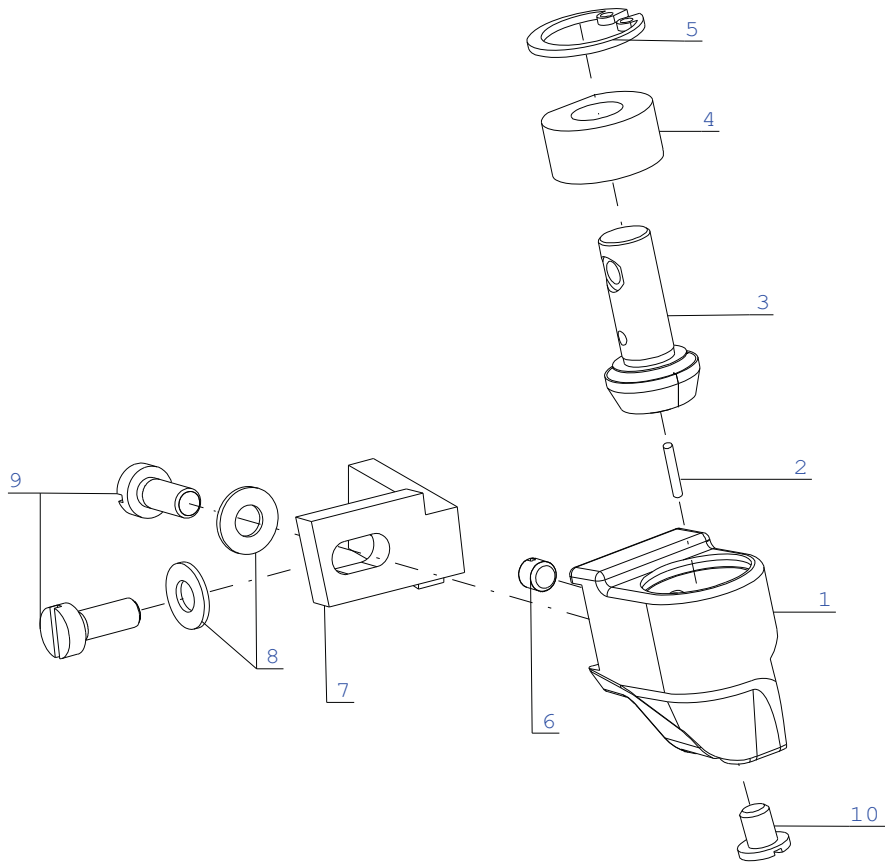


M 156 M 172 M 174 M 310

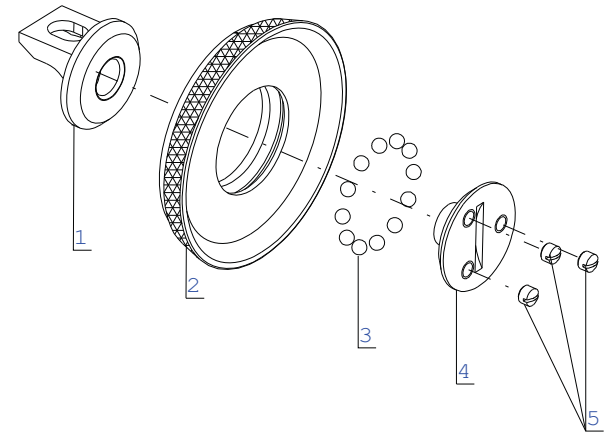
Pos. Det.	Dílce č. Part No.	Název	Denomination
M 156			
.....	S980 000156	DRŽÁK KOLEČKOVÉ PATKY	HOLDER FOR THE TOP ROLLER
1 S980 000156	VIZ S980 000156	VIZ S980 000156
2 S980 000156	VIZ S980 000156	VIZ S980 000156
3 S080 555045	PASTOREK	PINION
4 S080 410678	POUZDRO	CASE
5 S311 733151	POJ.KROUŽEK	RETAINING RING
6 S080 111212	ŠROUB	SCREW
7 S980 000156	VIZ S980 000156	VIZ S980 000156
8 S080 190353	PODLOŽKA	WASHER
9 S080 120226	ŠROUB	SCREW
10 S080 132240	ŠROUB	SCREW
M 172			
.....	S980 000172	KOLEČKOVÁ PATKA	TOP ROLLER
1 S080 452051	DRŽÁK	HOLDER
2 S080 561058	KOLEČKO ø 25 mm	TOP ROLLER
3 S324 020052	KULIČKA	BALL
4 S080 441679	ŠROUB	SCREW
5 S080 111303	ŠROUB	SCREW
M 174			
.....	S980 000174	KOLEČKOVÁ PATKA	TOP ROLLER
1 S080 452051	DRŽÁK	HOLDER
2 S980 088006	KOLEČKO POGUMOVANÉ ø 25 mm	TOP ROLLER RUBBER COATED
3 S324 020052	KULIČKA	BALL
4 S080 441679	ŠROUB	SCREW
5 S080 111303	ŠROUB	SCREW
M 310			
.....	S980 000310	KOLEČKOVÁ PATKA	TOP ROLLER
1 S080 452051	DRŽÁK	HOLDER
2 S080 561069	KOLEČKO HLADKÉ ø 25 mm	TOP ROLLER SMOOTH
3 S324 020052	KULIČKA	BALL
4 S080 441679	ŠROUB	SCREW
5 S080 111303	ŠROUB	SCREW

Pos. Det.	Dílce č. Part No.	Název	Denomination

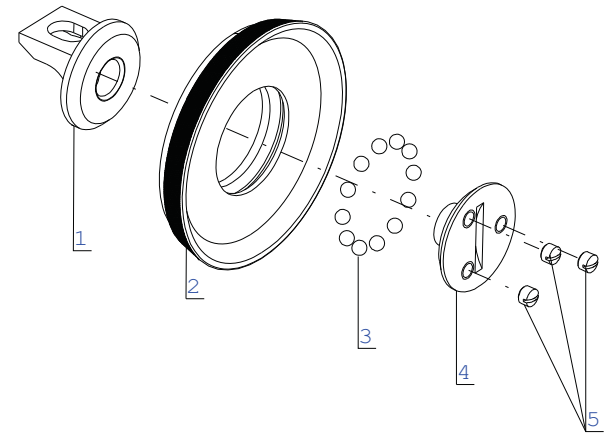
M 157



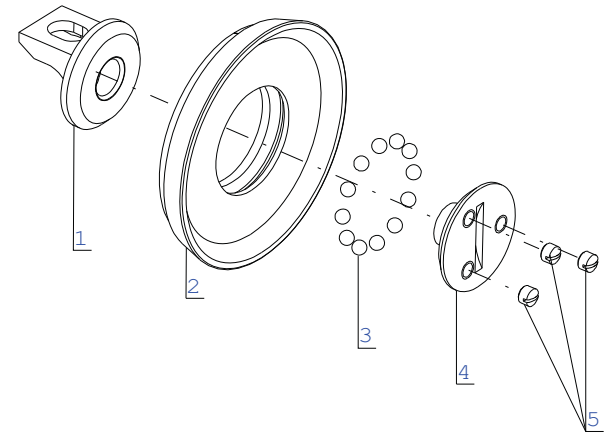
M 173



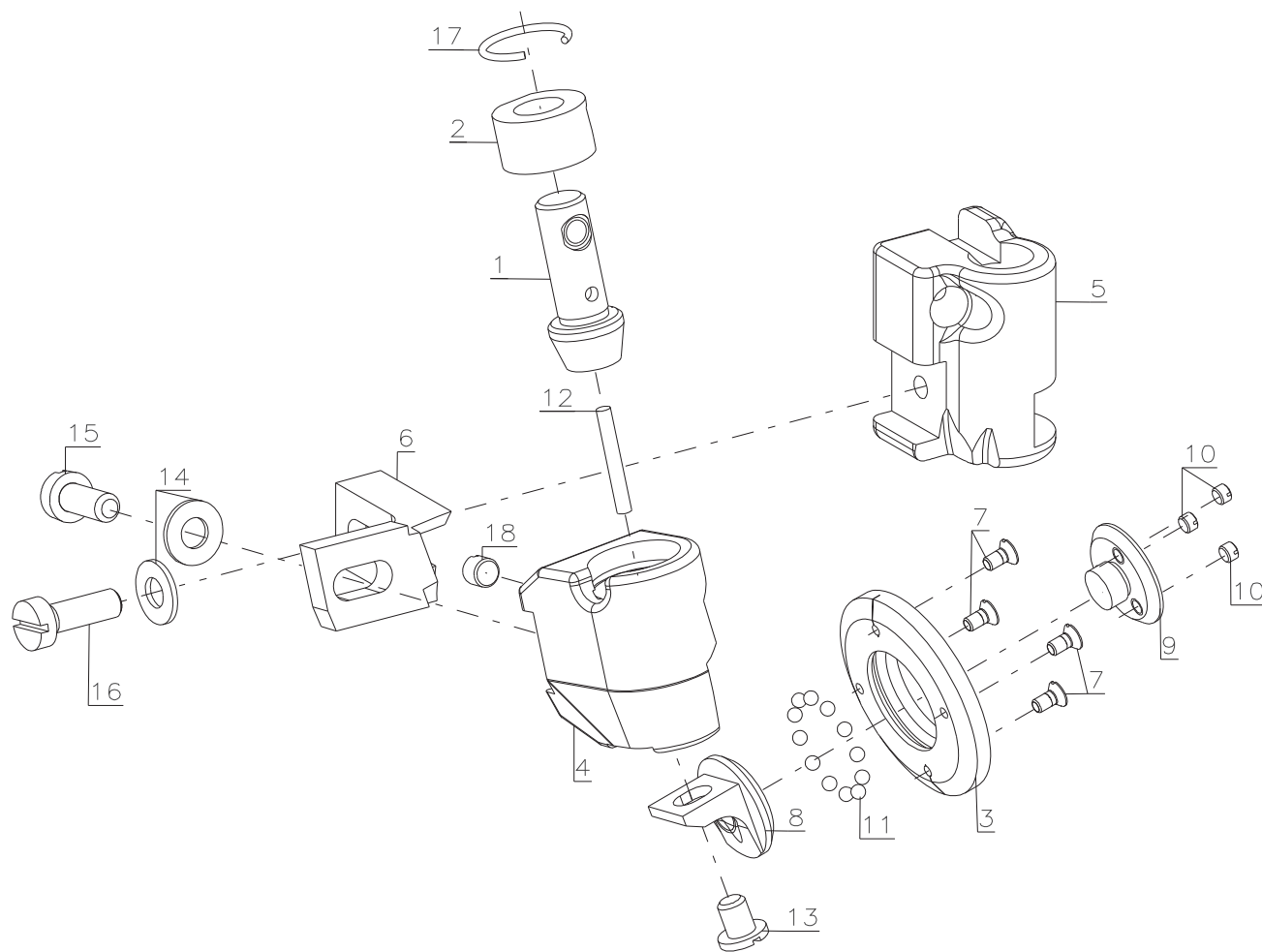
M 175



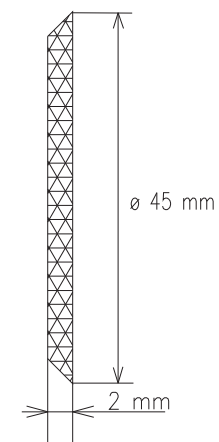
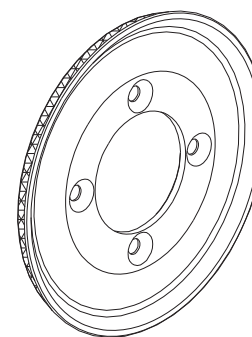
M 311



M 295



M 296



M 297

